

72"

Item Number:

301-V72-BNM
301-V72-SL

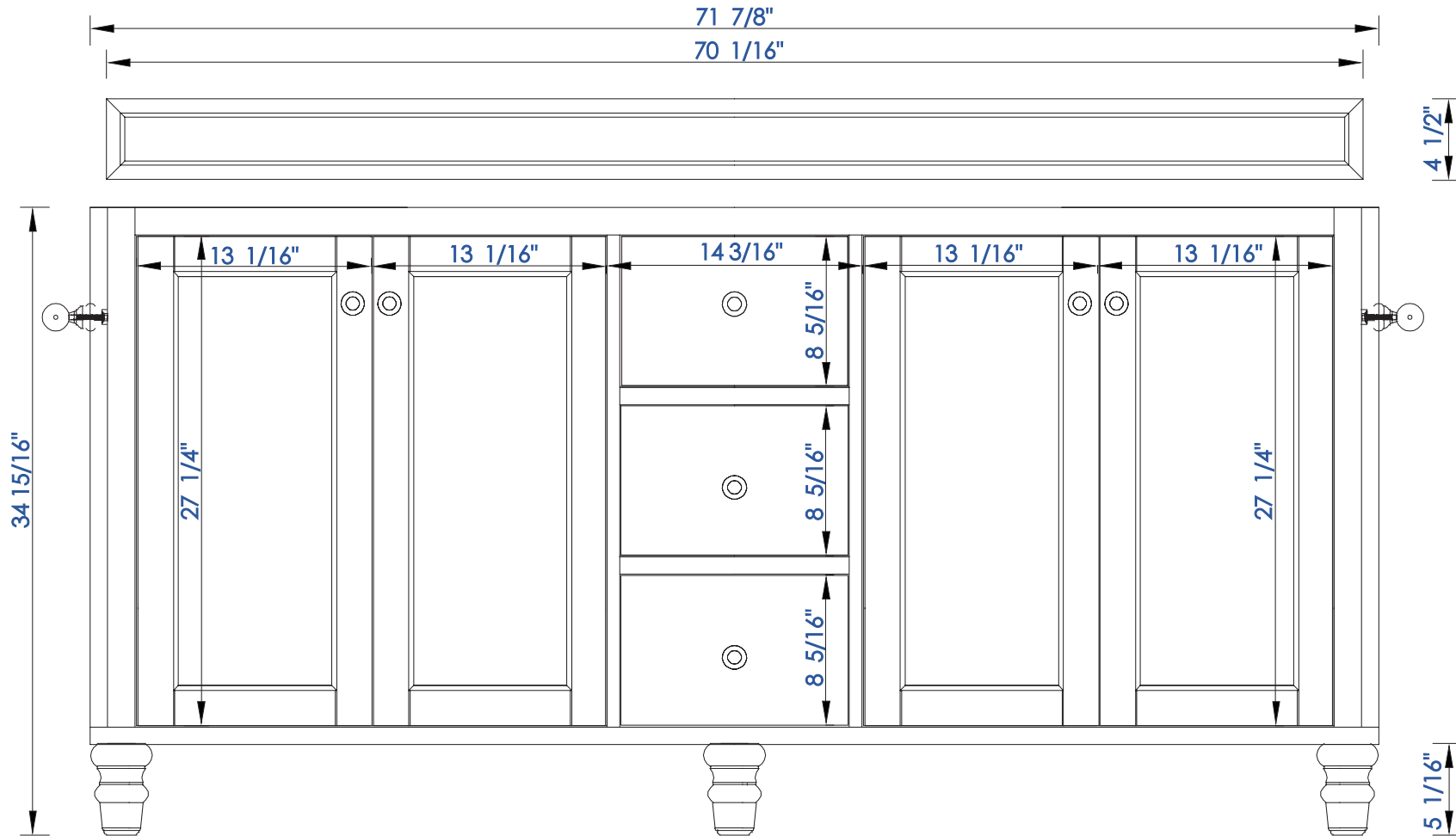
JAMES MARTIN



VANITIES

Copper Cove 72" Double Vanity

Diagrams with Dimensions
page 01 of 03



NOTE ONE: Countertops are not shown in these diagrams. (Cabinet Only)

NOTE TWO: Wood Backsplash (Shown) is designed for the molding detail to align with sinks in James Martin's Optional Countertops.

Customer's own countertops and sinks may align differently, and modification may be required.

Please consult our website for Countertop Diagrams: www.jamesmartinvanities.com

72"

Item Number:

301-V72-BNM
301-V72-SL

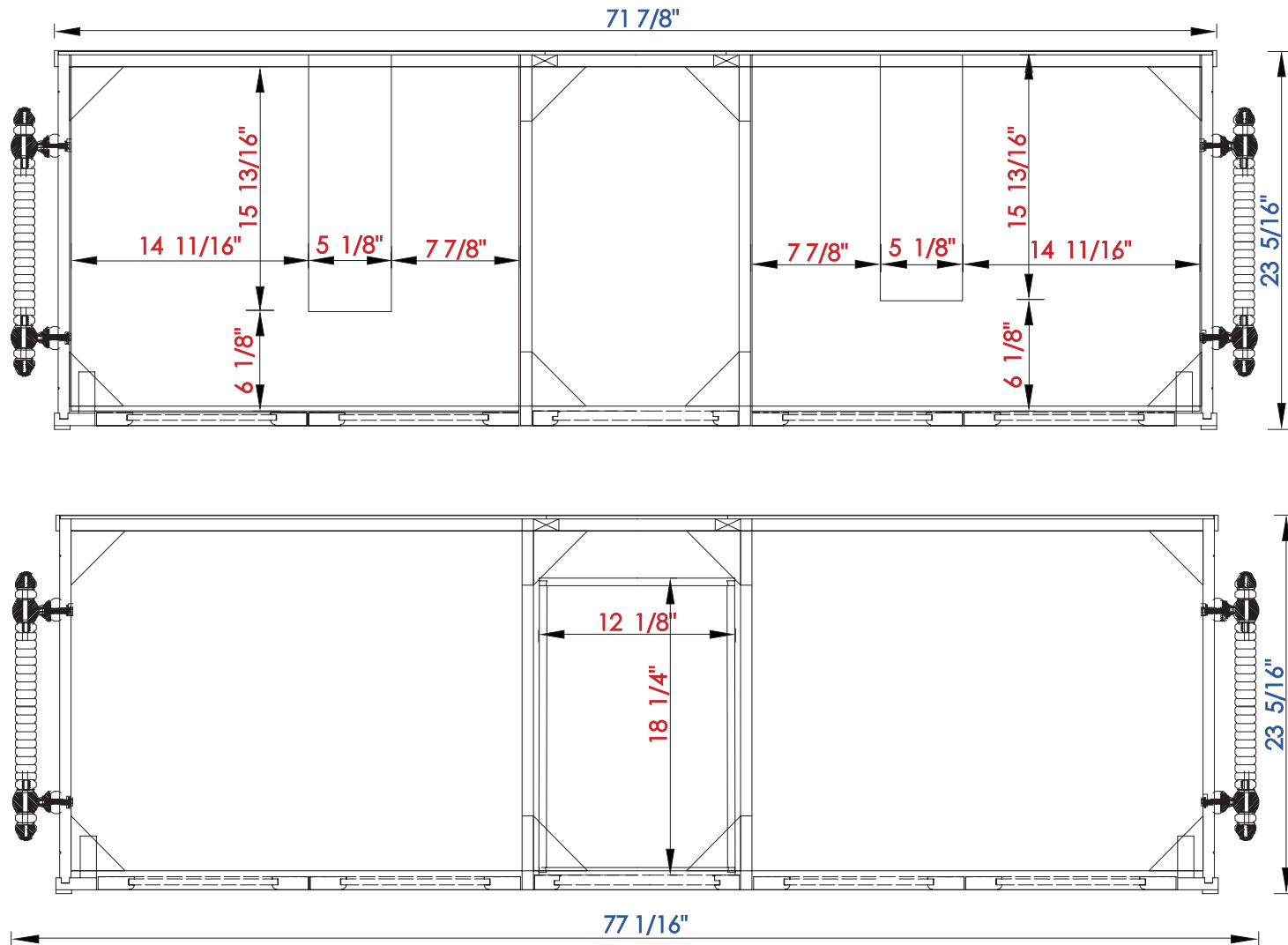
JAMES MARTIN



VANITIES

Copper Cove 72" Double Vanity

Diagrams with Dimensions
page 02 of 03



NOTE ONE: Countertops are not shown in these diagrams. (Cabinet Only)

NOTE TWO: Internal Shelves(Shown) are designed to align with sinks in James Martin's Optional Countertops.(with shelvesonly)

Customer's own countertops and sink may align differently, and modification may be required.

Please consult our website for Countertop Diagrams: www.jamesmartinvanities.com

72"

Item Number:

301-V72-BNM
301-V72-SL

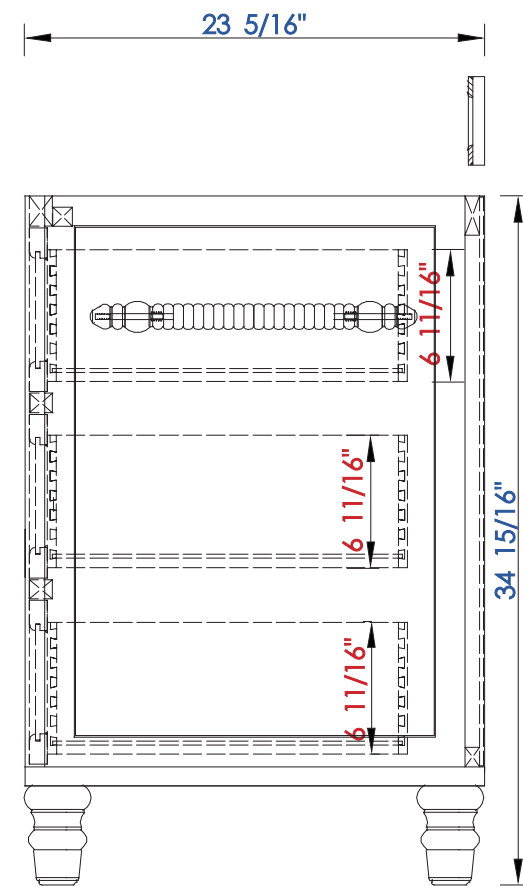
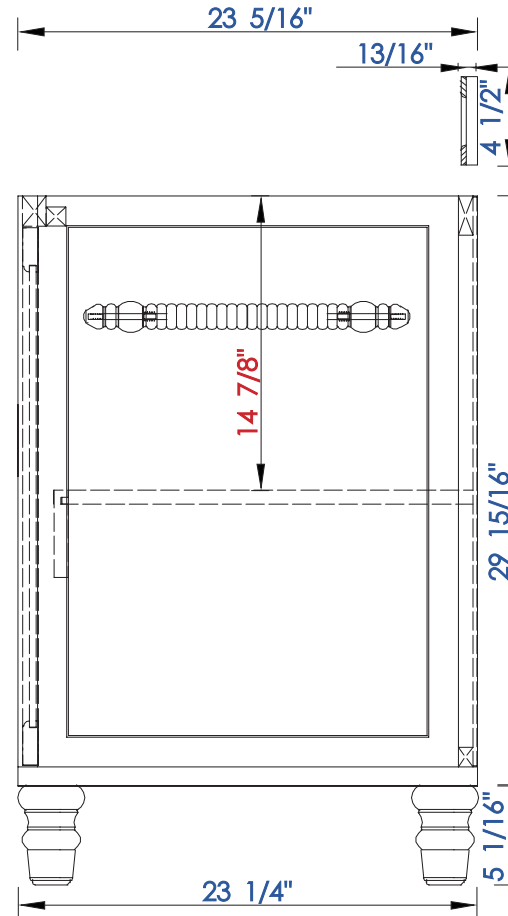
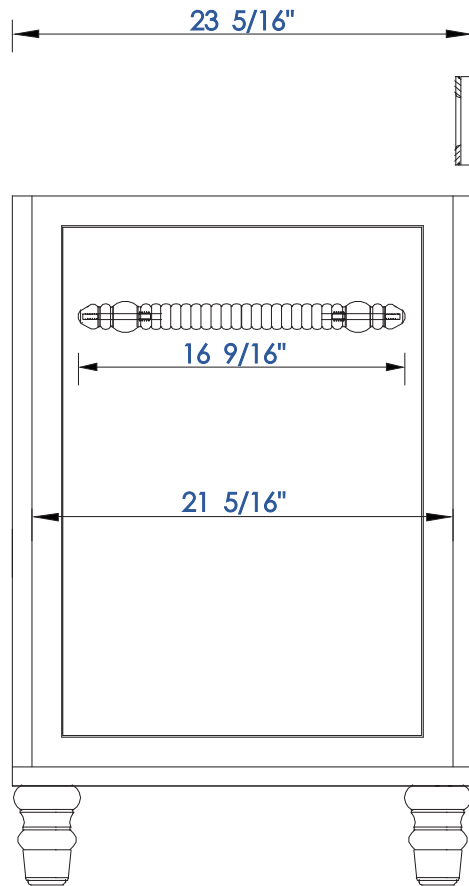
JAMES MARTIN



VANITIES

Copper Cove 72" Double Vanity

Diagrams with Dimensions
page 03 of 03



NOTE ONE: Countertops are not shown in these diagrams. (Cabinet Only)

NOTE TWO: Wood Backsplash (Shown) is designed for the molding detail to align with sinks in James Martin's Optional Countertops.

Customer's own countertops and sinks may align differently, and modification may be required.

Please consult our website for Countertop Diagrams: www.jamesmartinvanities.com

1829 mm

Item Number:
301-V72-BNM
301-V72-SL

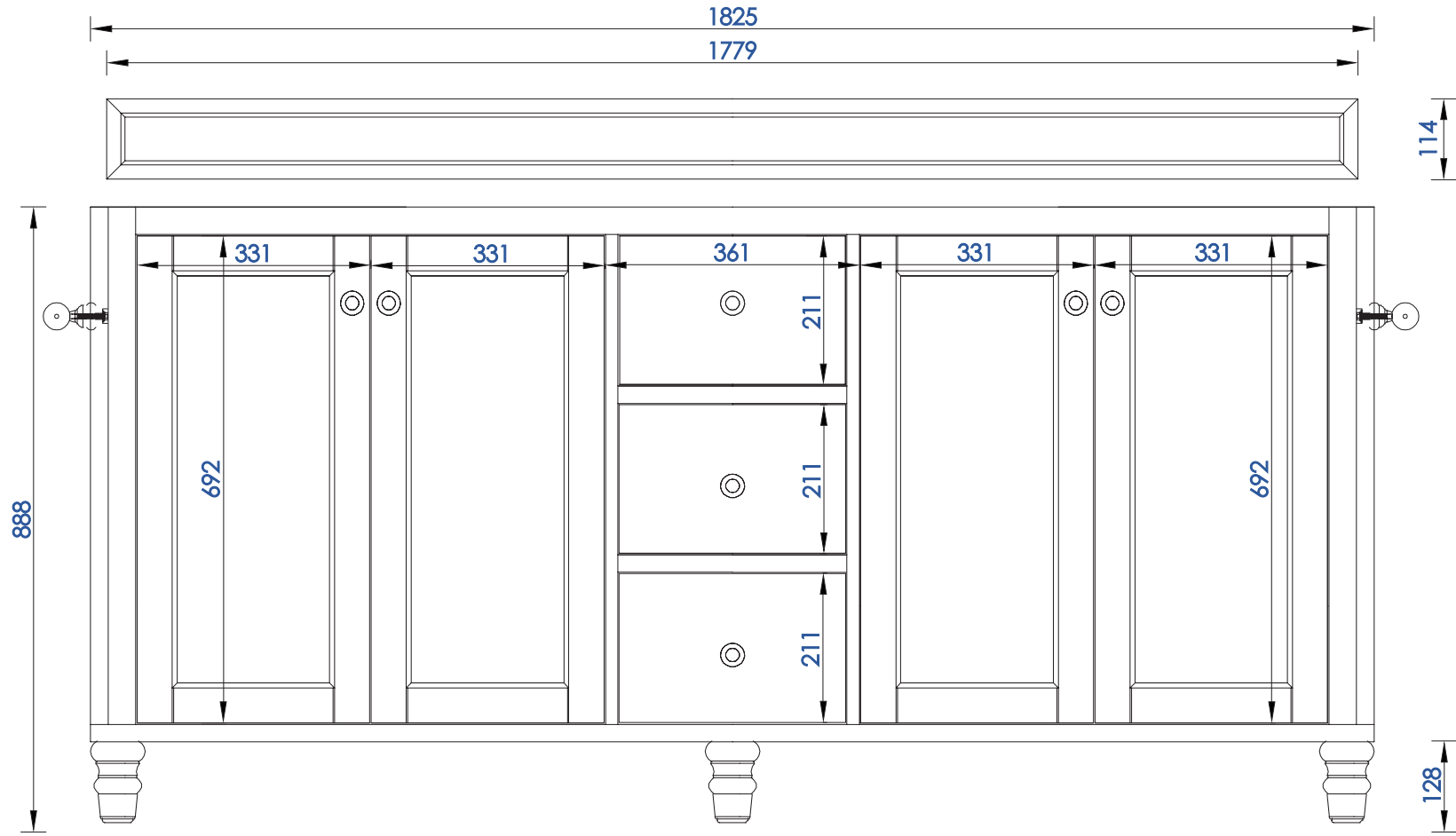
JAMES MARTIN



VANITIES

Copper Cove 1829mm Double Vanity

Diagrams with Dimensions
page 01 of 03



NOTE ONE: Countertops are not shown in these diagrams. (Cabinet Only)
NOTE TWO: Wood Backsplash (Shown) is designed for the molding detail to align with sinks in James Martin's Optional Countertops.
Customer's own countertops and sinks may align differently, and modification may be required.
Please consult our website for Countertop Diagrams: www.jamesmartinvanities.com

1829 mm

Item Number:

301-V72-BNM
301-V72-SL

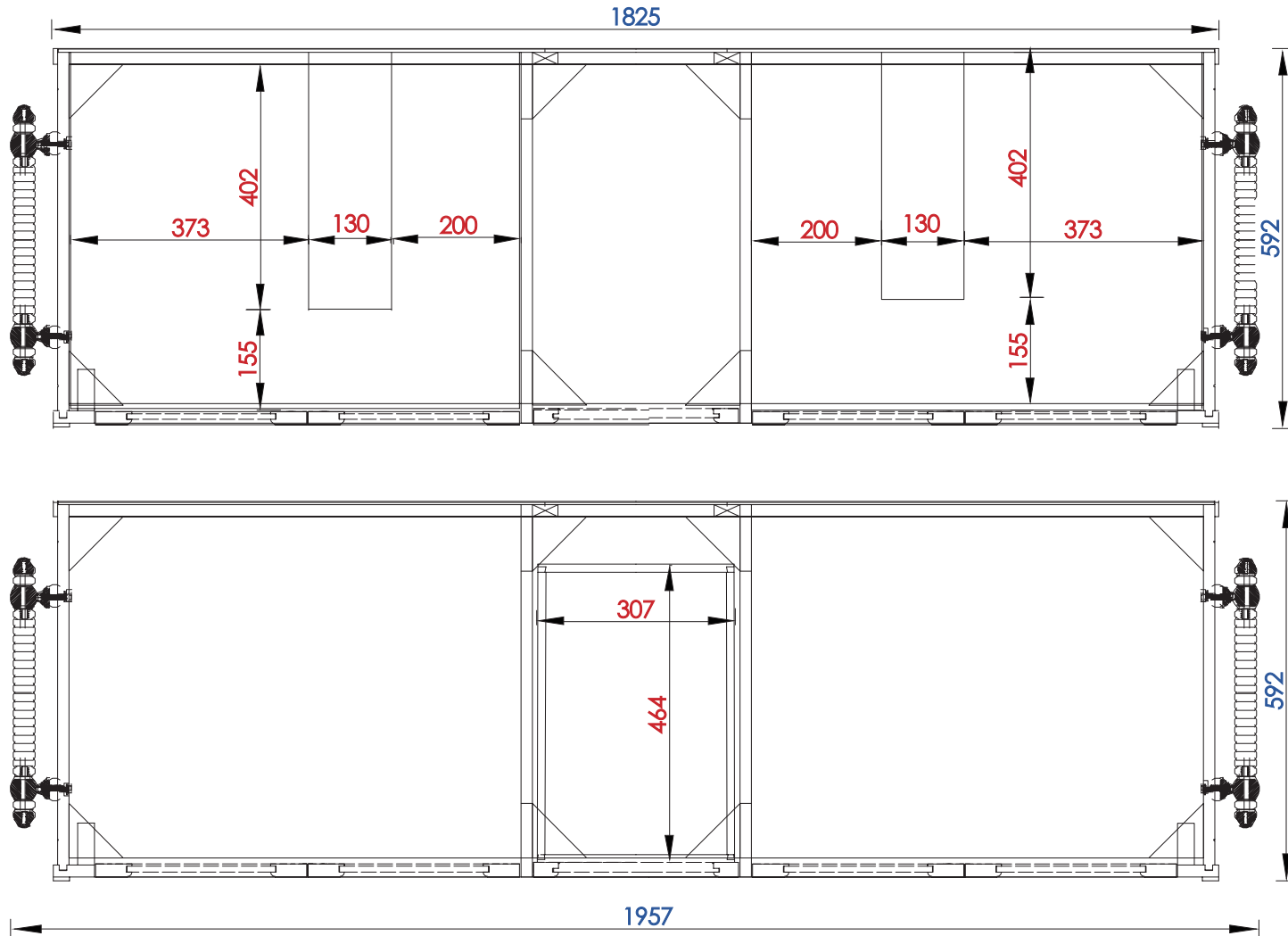
JAMES MARTIN



VANITIES

Copper Cove 1829mm Double Vanity

Diagrams with Dimensions
page 02 of 03



NOTE ONE: Countertops are not shown in these diagrams. (Cabinet Only)

NOTE TWO: Internal Shelves(Shown) are designed to align with sinks in James Martin's Optional Countertops.(with shelvesonly)

Customer's own countertops and sink may align differently, and modification may be required.

Please consult our website for Countertop Diagrams: www.jamesmartinvanities.com

1829 mm

Item Number:

301-V72-BNM
301-V72-SL

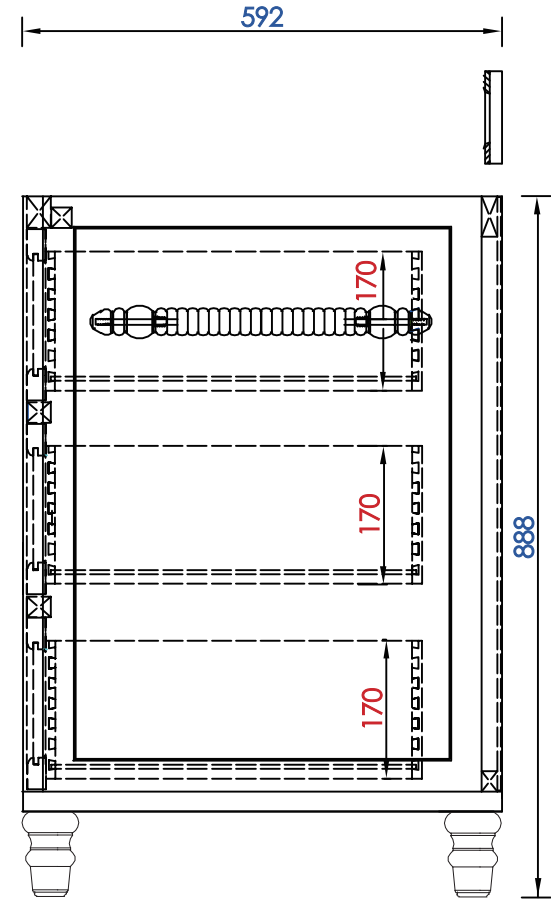
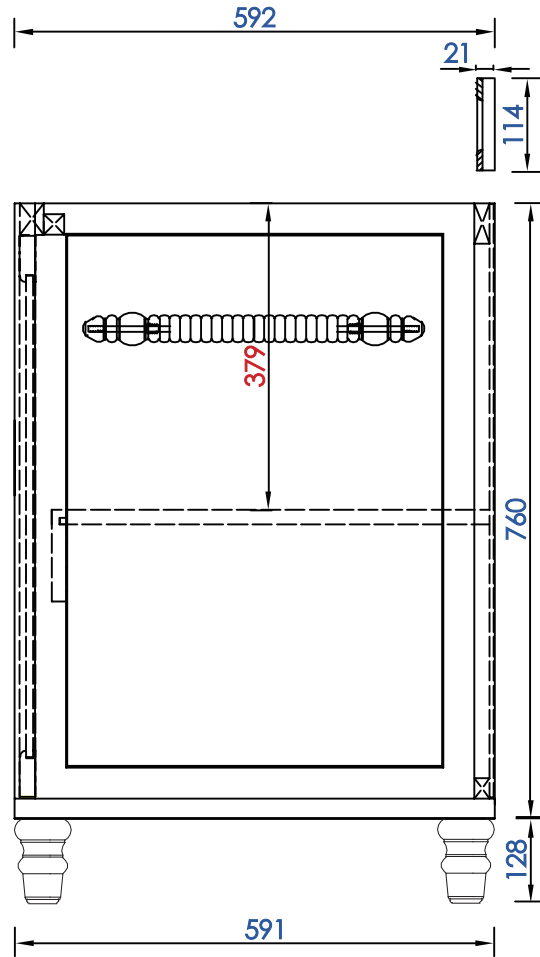
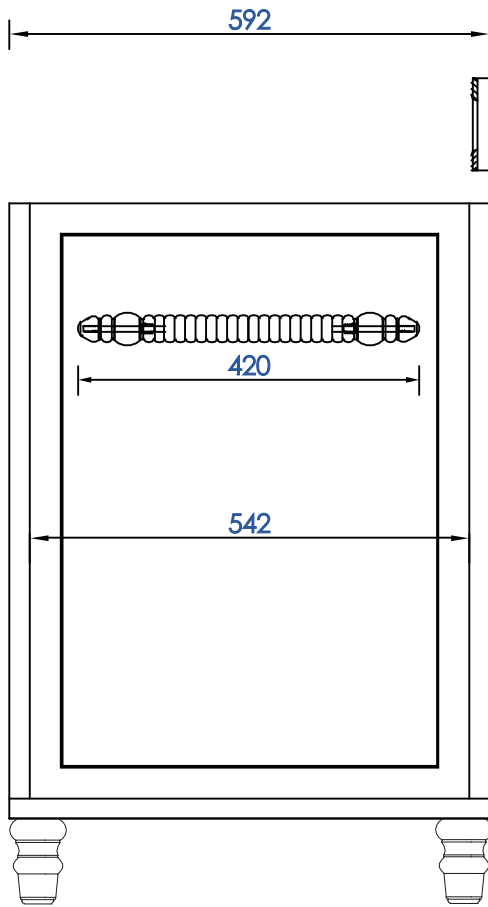
JAMES MARTIN



VANITIES

Copper Cove 1829mm Double Vanity

Diagrams with Dimensions
page 03 of 03



NOTE ONE: Countertops are not shown in these diagrams. (Cabinet Only)

NOTE TWO: Wood Backsplash (Shown) is designed for the molding detail to align with sinks in James Martin's Optional Countertops.

Customer's own countertops and sinks may align differently, and modification may be required.

Please consult our website for Countertop Diagrams: www.jamesmartinvanities.com

72"

Item Number:

301-V72-BW/SL

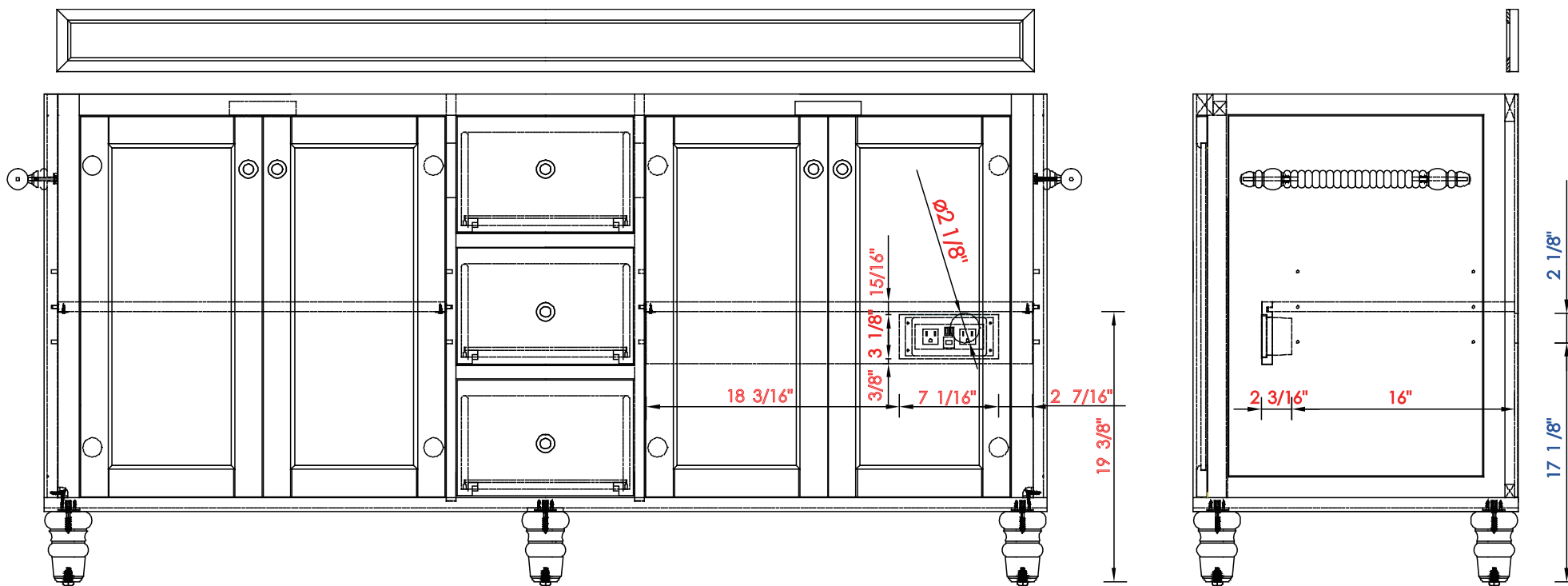
JAMES MARTIN



VANITIES

Copper cove encore 72 " Cabinet

Diagrams with Dimensions
page 01 of 01



1829 mm

Item Number:

301-V72-BW/SL

JAMES MARTIN



VANITIES

Copper cove encore 1829mm Cabinet

Diagrams with Dimensions
page 01 of 01

