

41"

Item Number:

202-V41-ENB-GB

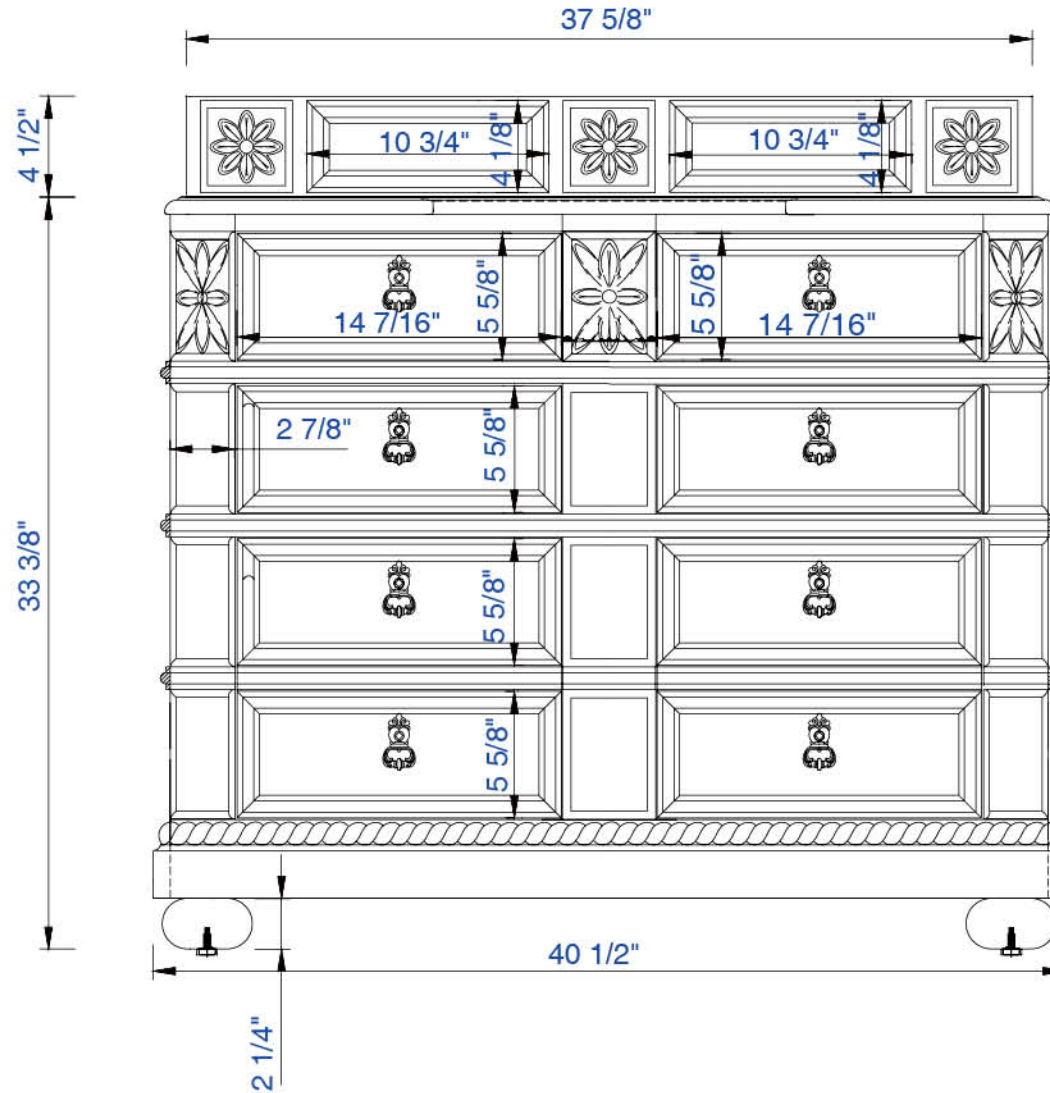
JAMES MARTIN



VANITIES

Regent 41" Cabinet

Diagrams with Dimensions
page 01 of 03



NOTE ONE: Married Countertop is standard for this cabinet

NOTE TWO: Wood Backsplash (Shown) is designed for the molding detail to align with sinks in James Martin's Optional Countertops.

41"

Item Number:

202-V41-ENB-GB

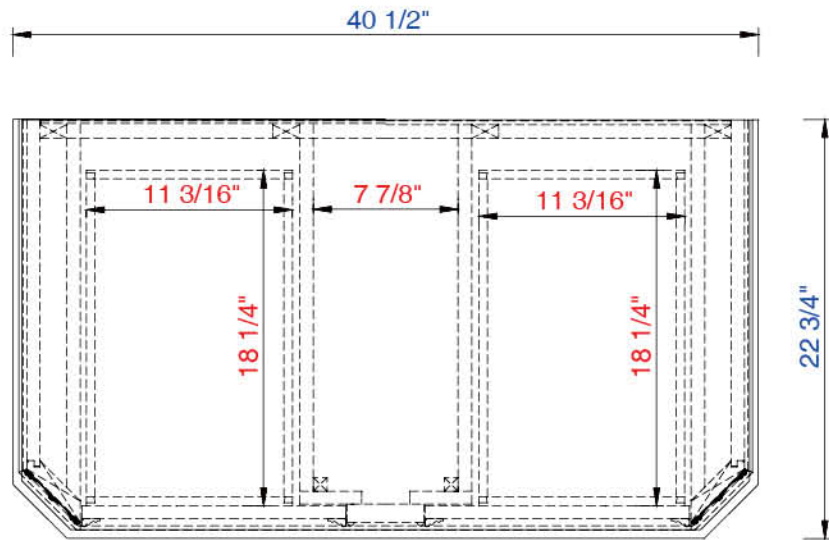
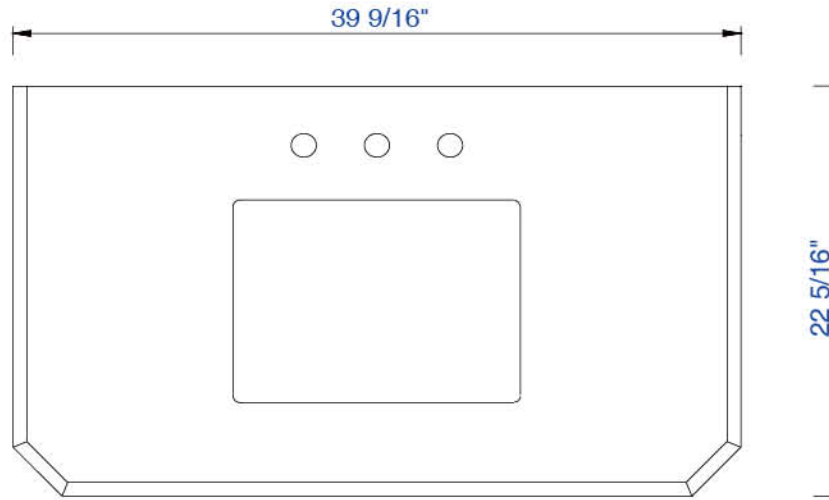
JAMES MARTIN



VANITIES

Regent 41" Cabinet

Diagrams with Dimensions
page 02 of 03



NOTE ONE: Married Countertop is standard for this cabinet

41"

Item Number:

202-V41-ENB-GB

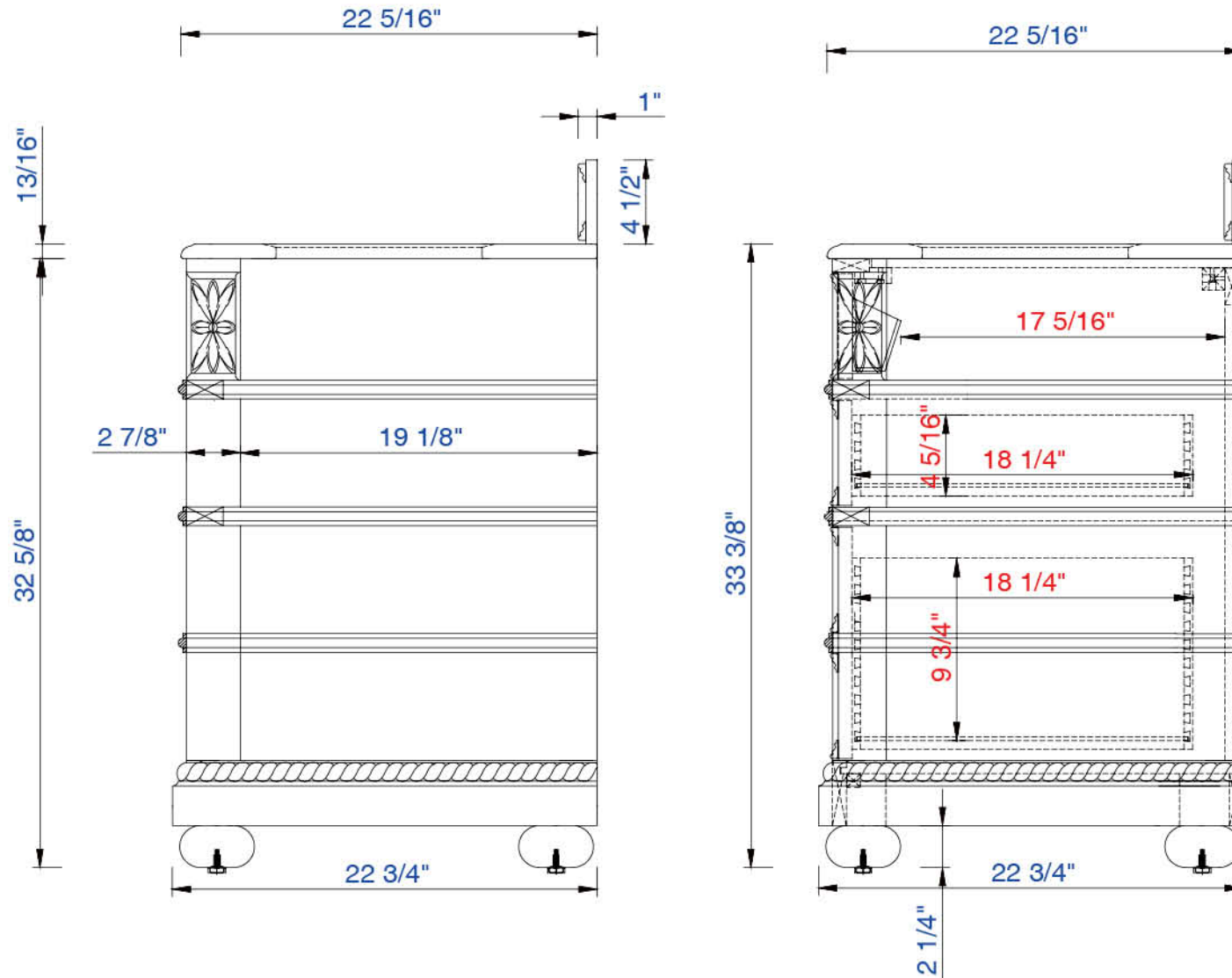
JAMES MARTIN



VANITIES

Regent 41" Cabinet

Diagrams with Dimensions
page 03 of 03



NOTE ONE: Married Countertop is standard for this cabinet

NOTE TWO: Wood Backsplash (Shown) is designed for the molding detail to align with sinks in James Martin's Optional Countertops.

1029mm

Item Number:

202-V41-ENB-GB

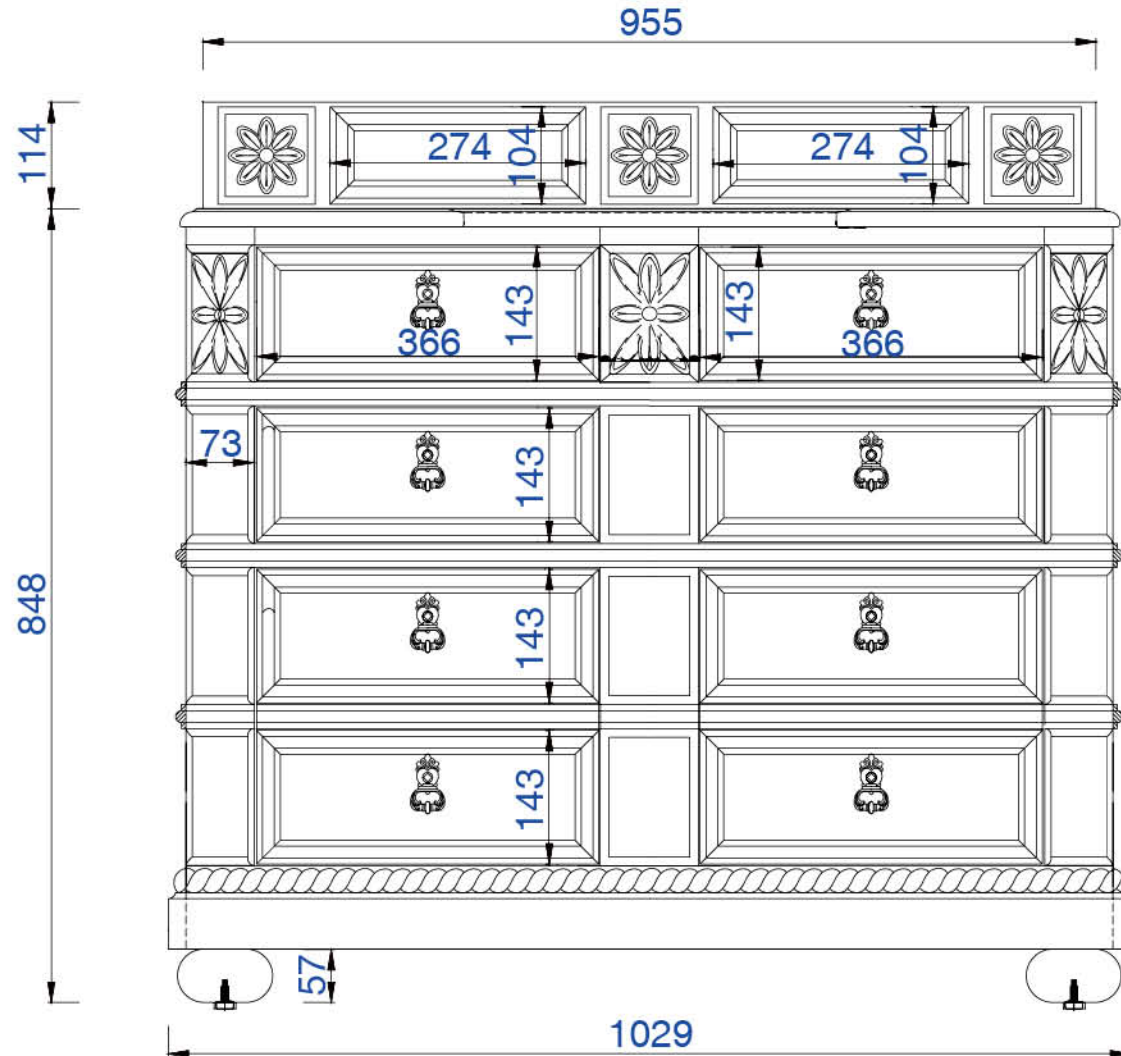
JAMES MARTIN



VANITIES

Regent 1029mm Cabinet

Diagrams with Dimensions
page 01 of 03



NOTE ONE: Married Countertop is standard for this cabinet

NOTE TWO: Wood Backsplash (Shown) is designed for the molding detail to align with sinks in James Martin's Optional Countertops.

1029mm

Item Number:

202-V41-ENB-GB

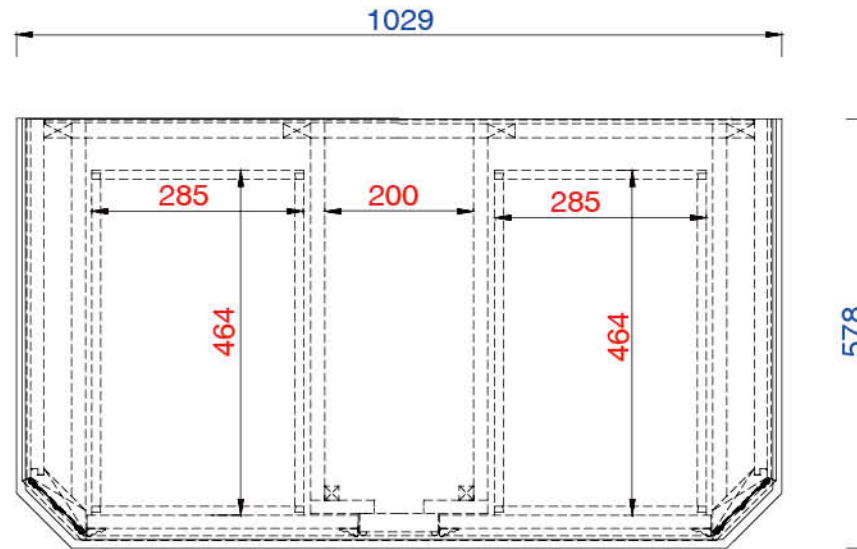
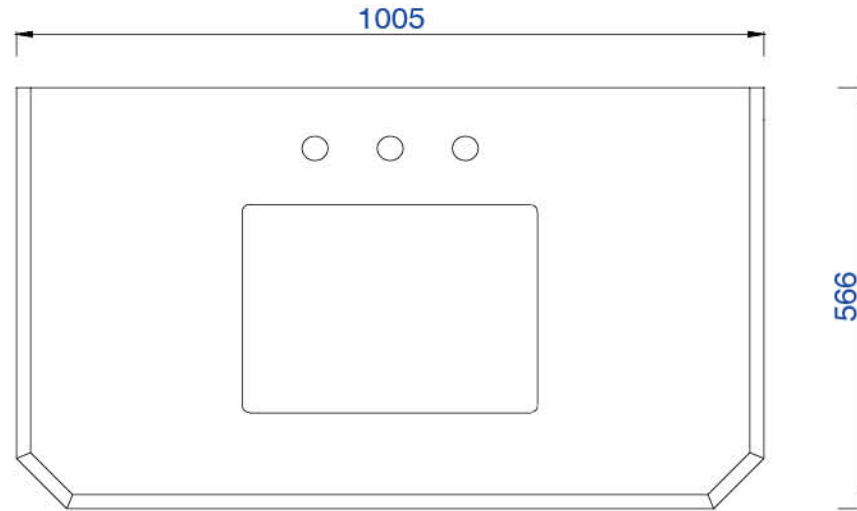
JAMES MARTIN



VANITIES

Regent 1029mm Cabinet

Diagrams with Dimensions
page 02 of 03



NOTE ONE: Married Countertop is standard for this cabinet

1029mm

Item Number:

202-V41-ENB-GB

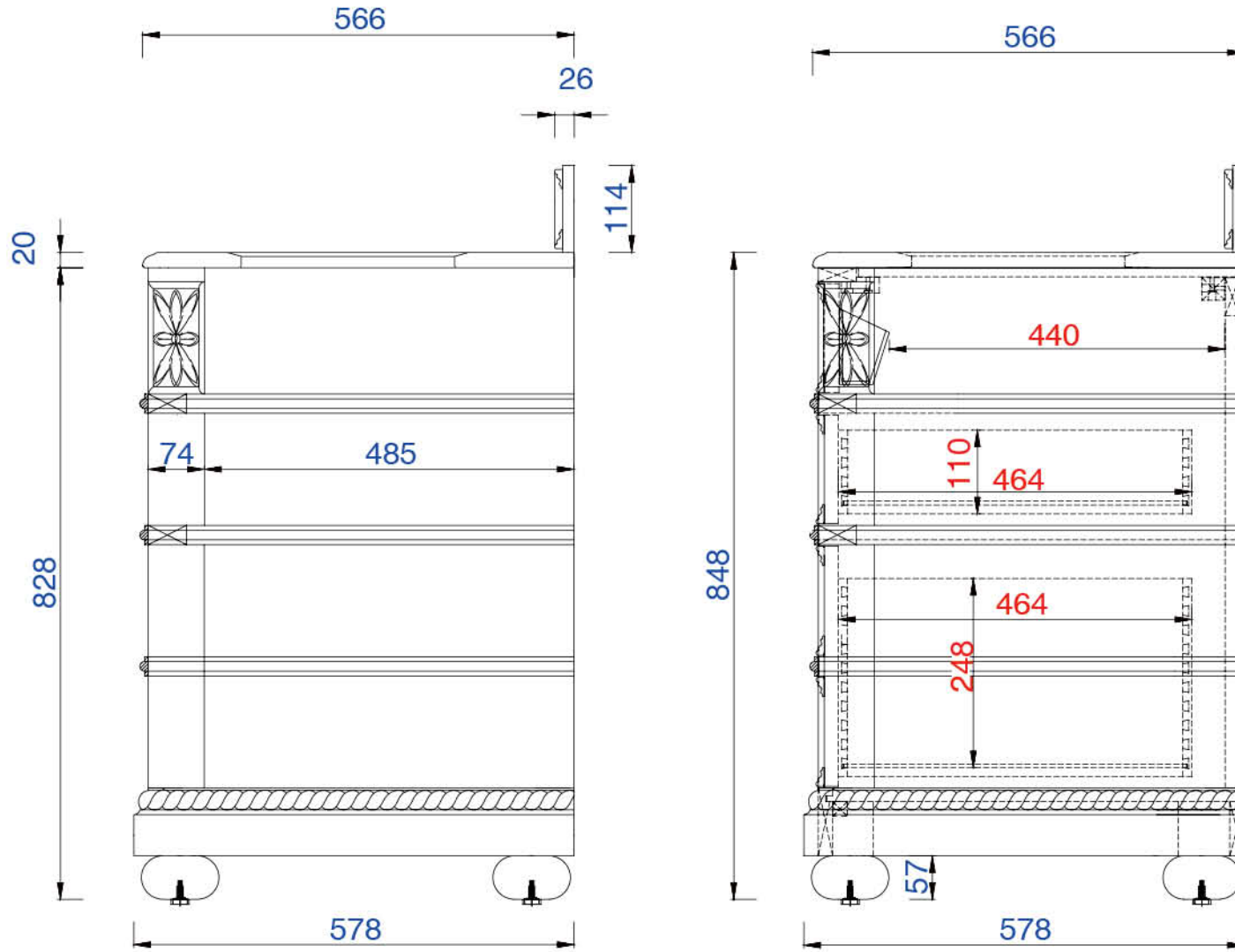
JAMES MARTIN



VANITIES

Regent 1029mm Cabinet

Diagrams with Dimensions
page 03 of 03



NOTE ONE: Married Countertop is standard for this cabinet

NOTE TWO: Wood Backsplash (Shown) is designed for the molding detail to align with sinks in James Martin's Optional Countertops.