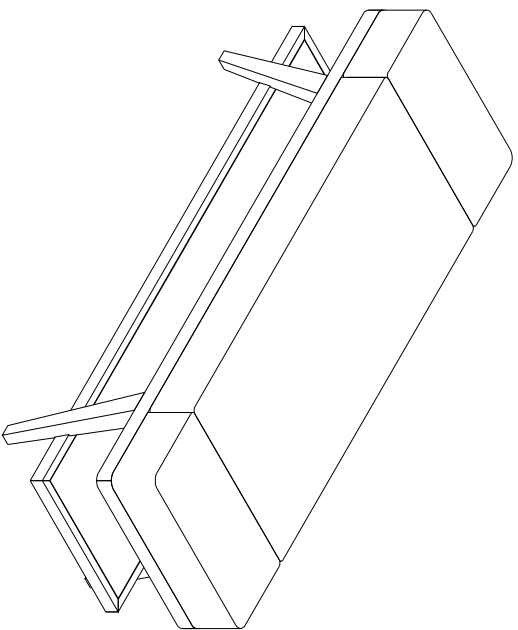
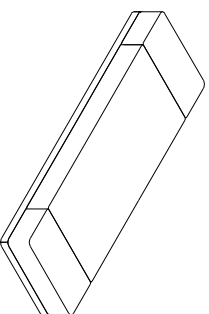


PARTS LIST / LISTE DES PIÈCES / LISTA DE PIEZAS
 ITEM NO. / NO D'ARTICLE / ARTICULO NO. : P375132
 DESCRIPTION / LA DESCRIPTION / DESCRIPCIÓN : Bed Bench/ Banc de chambre à coucher / Banco de cama



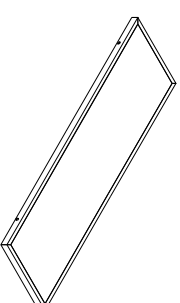
A

x1 Seat Cushion
 x1 Coussin de siège
 x1 Cojín del asiento



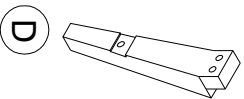
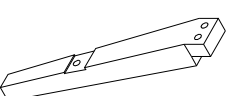
B

x1 Shelf
 x1 Étagère
 x1 Repisa



C

x2 Table Leg (left)
 x2 Patte de table (gauche)
 x2 Pata de mesa (izquierda)



D

x2 Table Leg (right)
 x2 Patte de table (droite)
 x2 Pata de mesa (derecha)

E

x12 Flat Washer $\phi 5/16"$ x19x2mm *
 x12 Rondelle plate $\phi 5/16"$ x19x2mm
 x12 Arandela plana $\phi 5/16"$ x19x2mm



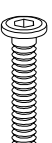
F

x12 Lock washer $\phi 5/16"$ *
 x12 Rondelle de blocage $\phi 5/16"$
 x12 Arandela de Seguridad $\phi 5/16"$



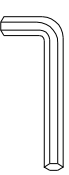
G

x12 Allen bolt $\phi 5/16"$ x38mm *
 x12 Vis à tête creuse hexagonale $\phi 5/16"$ x38mm
 x12 Perno Allen $\phi 5/16"$ x38mm



H

x1 Allen Key 5mm *
 x1 Clé hexagonale 5mm
 x1 Llave Allen 5mm



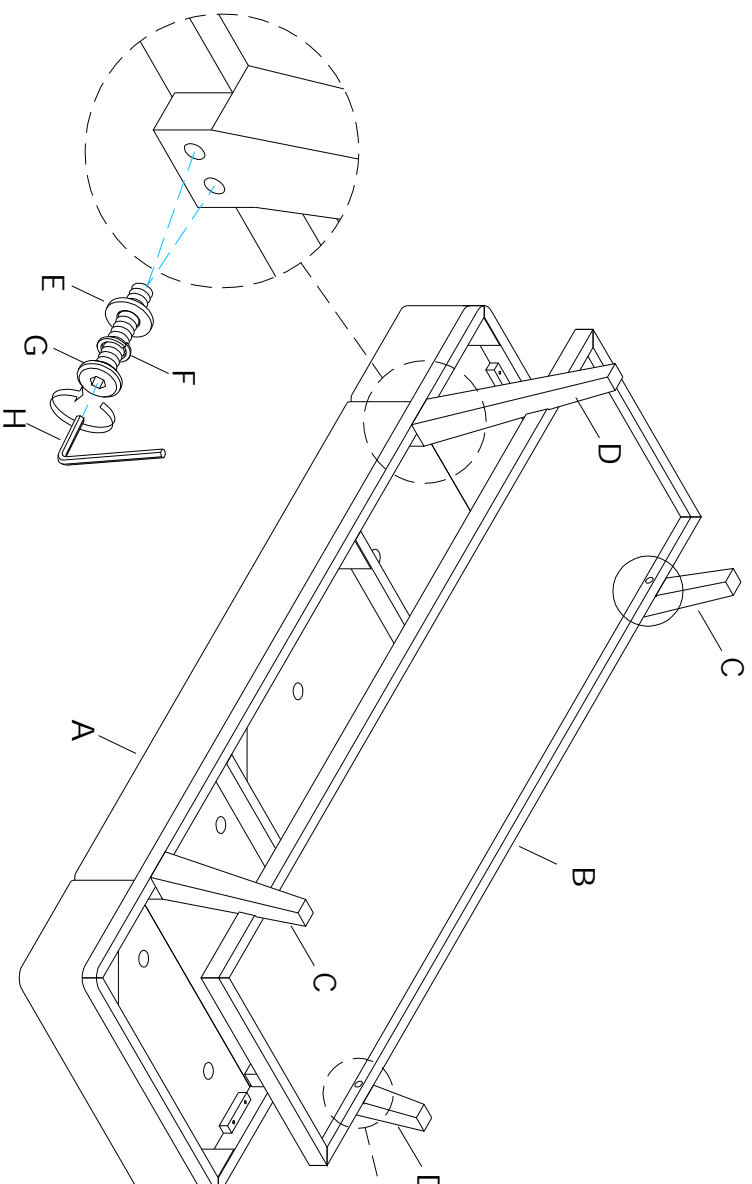
* Replaceable Part

ASSEMBLY INSTRUCTIONS/ NOTICE DE MONTAGE/ INSTRUCCIONES DE MONTAJE

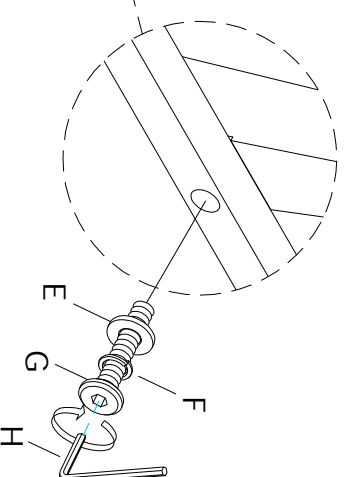
ITEM NO. / NO D'ARTICLE / ARTICULO NO. : P375132

DESCRIPTION/ LA DESCRIPTION / DESCRIPCIÓN : Bed Bench/ Banc de chambre à coucher / Banco de cama

STEP 1
ÉTAPE 1
PASO 1



STEP 2
ÉTAPE 2
PASO 2

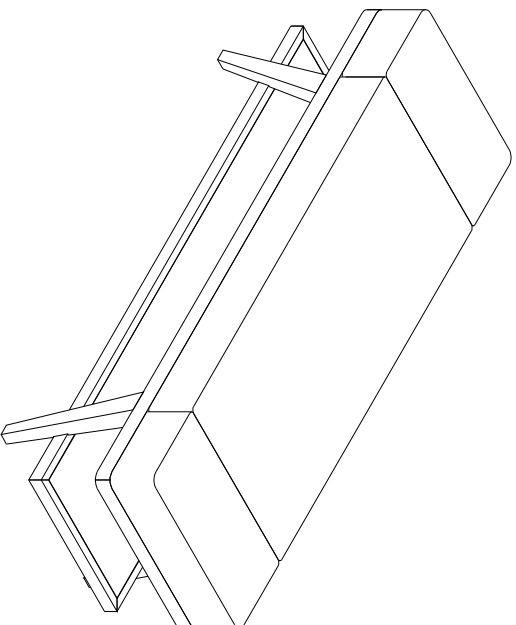


* Replaceable Part

REPLACEABLE PART / PARTIE REMPLAÇABLE / PARTE REEMPLAZABLE

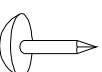
ITEM NO. / NO D'ARTICLE / ARTICULO NO. : P375132

DESCRIPTION / LA DESCRIPTION / DESCRIPCIÓN : Bed Bench/ Banc de chambre à coucher / Banco de cama



x1 RP375132-HWKIT-Hardware Kit
Liste des pièces de quincaillerie
Lista del kit de materiales

*



x4 RC-WH-NAIL - White Plastic Nail
Clou en plastique
Clavo de plástico

*

* Replaceable Part

Protect Your Wood or Laminate Flooring

* This statement applies to any floor without carpet.

If not careful, all furniture including upholstery and case pieces can scratch, scuff and even gouge floors. The recommendation is to have felt, rubber pads or area rugs under furniture on flooring without carpet.

Moving your furniture

Pushing and dragging furniture over floor without carpet can lead to scratches and scuffs. Have someone help when moving the larger pieces of furniture by lifting, try using a dolly or moving pads.

Felt and rubber pads

Applying furniture pads to the feet of furniture helps cushion contact points. Furniture pads can be found at local hardware stores. Felt pads slide easily across the floor, making them ideal for dining chairs and other pieces that move with use. Rubber pads will help furniture stay in place and are perfect for larger pieces, like sofas and loveseats.

Area rugs and rug pads

Using an are rug under furniture is another way to protect your floor from scratches and scuff marks. A rug pad under the area rug will provide extra cushion and added protection.

* *Replaceable Part*