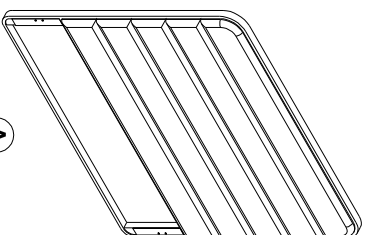
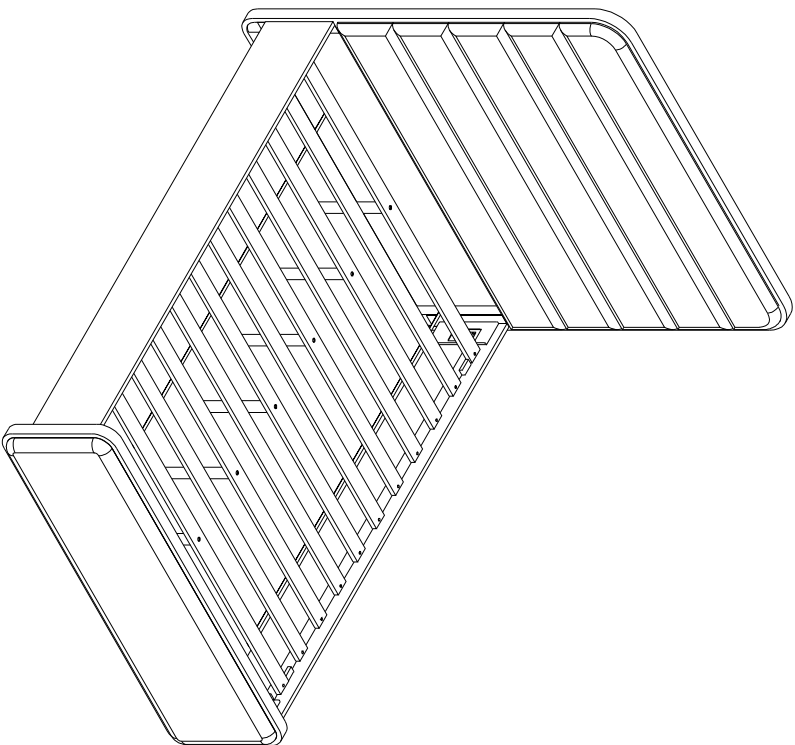
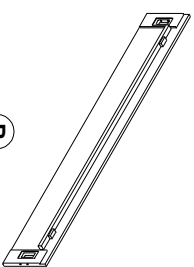


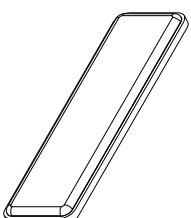
**PARTS LIST / LISTE DES PIÈCES / LISTA DE PIEZAS**  
 ITEM NO. / NO D'ARTICLE / ARTICULO NO. : P378170/171/172  
 DESCRIPTION / LA DESCRIPTION / DESCRIPCIÓN: UPH QUEEN BED / GRAND LIT/CAMA QUEEN



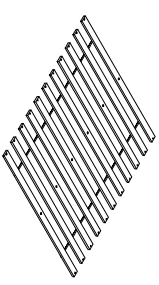
**A**  
 x1 Headboard panel  
 x1 Tête de lit  
 x1 Panel de la cabecera



**B**  
 x2 Side Rail  
 x2 Traverse  
 x2 Travesaño lateral



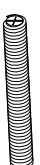
**C**  
 x1 Footboard Panel  
 x1 Pied de lit  
 x1 Panel de pie de cama



**D**  
 x11 Slat\*  
 x11 Lattes  
 x11 Listón



**E**  
 x6 Center leg\*  
 x6 Pates centrales  
 x6 Patas centrales



**F**  
 x8 Hanger Bolt  $\varnothing 5/16$ "x88mm\*  
 x8 Boulon-vis  $\varnothing 5/16$ "x88mm  
 x8 Fermo de suspensión  $\varnothing 5/16$ "x88mm



**G**  
 x8 Flat Washer  $\varnothing 5/16$ "x16x2mm\*  
 x8 Rondelle plate  $\varnothing 5/16$ "x16x2mm  
 x8 Arandela plana  $\varnothing 5/16$ "x16x2mm



**H**  
 x8 Lock washer  $\varnothing 5/16$ "\*  
 x8 Rondelle de blocage  $\varnothing 5/16$ "  
 x8 Arandela de Seguridad  $\varnothing 5/16$ "



**I**  
 x8 Hex nut  $\varnothing 5/16$ "\*  
 x8 Ecriou hexagonal  $\varnothing 5/16$ "  
 x8 Tuerca hexagona  $\varnothing 5/16$ "

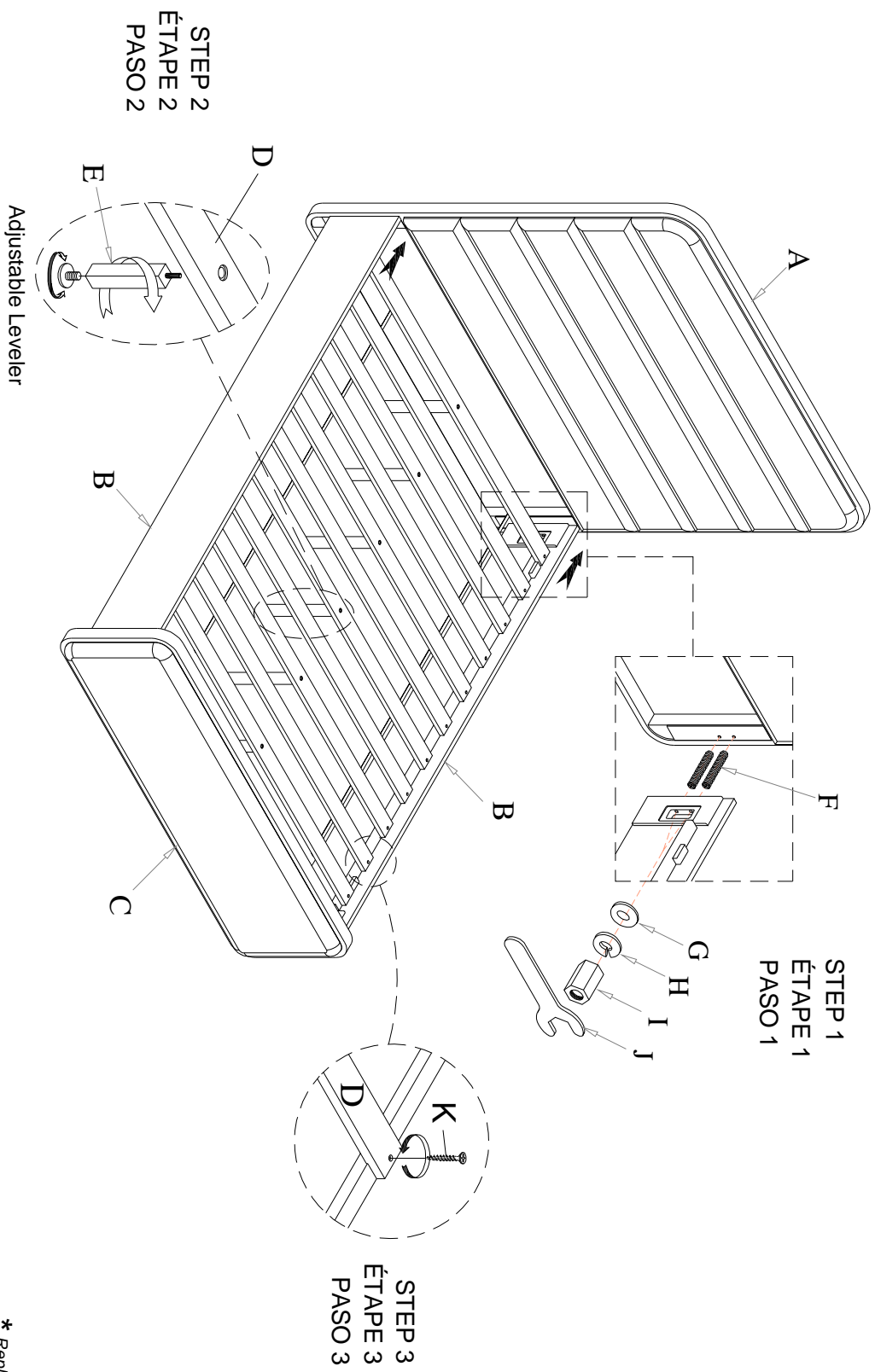


**J**  
 x1 Open Wrench  $\varnothing 5/16$ "\*  
 x1 Clé à fourche  $\varnothing 5/16$ "  
 x1 Llave de boca  $\varnothing 5/16$ "



**K**  
 x22 Wood Screw #8x25mm\*  
 x22 Vis à bois #8x25mm  
 x22 Tornillo para madera #8x25mm

\* Replaceable Part

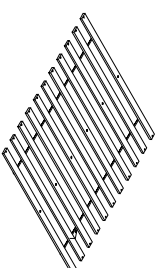
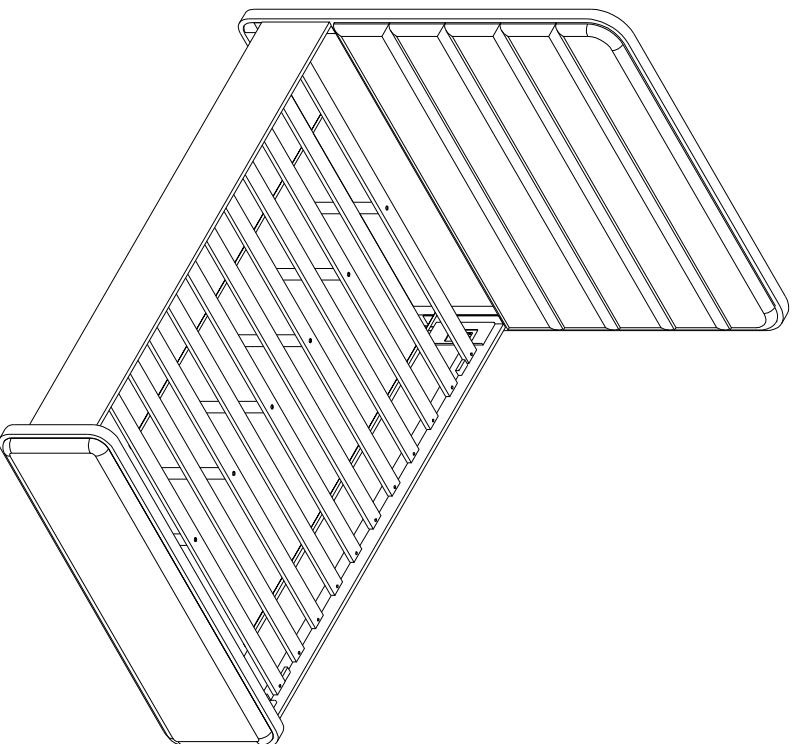


\* Replaceable Part

## REPLACEABLE PART / PARTIE REMPLAÇABLE / PARTE REEMPLAZABLE

ITEM NO./ NO D'ARTICLE/ARTICULO NO. : P378170/171/172

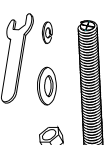
DESCRIPTION/ LA DESCRIPTION/DESCRIPCIÓN: UPH QUEEN BED/ GRAND LIT/CAMA QUEEN



x11 RP378171-SLAT-Slat \*  
Lattes  
Listones



x6 RP378171-SULEG-Slat Support Leg \*  
Pattes centrales  
Patas centrales



x1 RP378172-HWKIT-Hardware \*  
Liste des pièces de quincaillerie  
Lista del kit de materiales



x22 RP378171-SCREW-Screw \*  
Vis à bois  
Tornillo para madera



x 6 RC-FG-WHITE-White Leveler \*  
Patín réglable  
Nivelador

\* Replaceable Part

## **Protect Your Wood or Laminate Flooring**

\* This statement applies to any floor without carpet.

If not careful, all furniture including upholstery and case pieces can scratch, scuff and even gouge floors. The recommendation is to have felt, rubber pads or area rugs under furniture on flooring without carpet.

### **Moving your furniture**

Pushing and dragging furniture over floor without carpet can lead to scratches and scuffs. Have someone help when moving the larger pieces of furniture by lifting, try using a dolly or moving pads.

### **Felt and rubber pads**

Applying furniture pads to the feet of furniture helps cushion contact points. Furniture pads can be found at local hardware stores. Felt pads slide easily across the floor, making them ideal for dining chairs and other pieces that move with use. Rubber pads will help furniture stay in place and are perfect for larger pieces, like sofas and loveseats.

### **Area rugs and rug pads**

Using an are rug under furniture is another way to protect your floor from scratches and scuff marks. A rug pad under the area rug will provide extra cushion and added protection.

\* *Reproachable Part*