

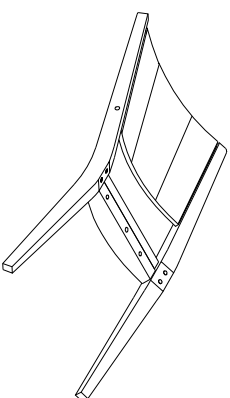
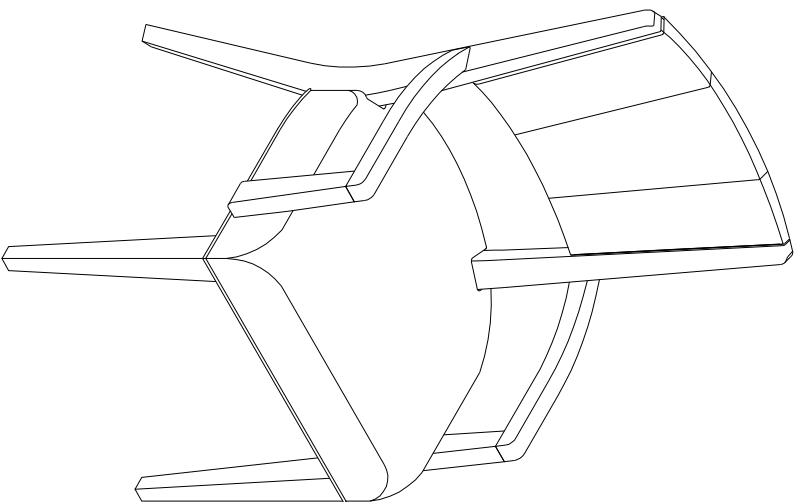
PARTS LIST / LISTE DES PIÈCES / LISTA DE PIEZAS

ITEM NO. / NO D'ARTICLE / ARTICULO NO. : P375271

DESCRIPTION / LA DESCRIPTION / DESCRIPCIÓN : Upholstered Arm Chair 2/cn /

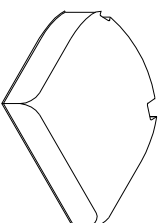
Chaise à accoudoirs capitonnée 2 pièces par Boîte /

Silla de brazos tapizada 2 unidades Por Caja



(A)

- x1 Chair back *
- x1 Dossier de chaise
- x1 Respado de la silla



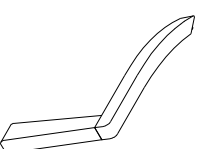
(B)

- x1 Seat frame *
- x1 Côte du cadre
- x1 Armazon lateral



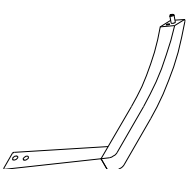
(C)

- x2 Left/Right front leg *
- x2 Gauche/Bras patte avant
- x2 Izquierda/Brazo pata delantera



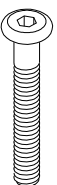
(D)

- x1 Left Arms *
- x1 Accoudoirs Gauche
- x1 Brazos Izquierda



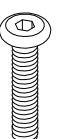
(E)

- x1 Right Arms *
- x1 Accoudoirs Droite
- x1 Brazos Derecha



(F)

- x9 Allen bolt $\phi 5/16 \times 51$ mm *
- x9 Vis à tête creuse hexagonale $\phi 5/16 \times 51$ mm
- x9 Perno Allen $\phi 5/16 \times 51$ mm



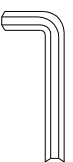
(G)

- x4 Allen bolt $\phi 5/16 \times 41$ mm *
- x4 Vis à tête creuse hexagonale $\phi 5/16 \times 41$ mm
- x4 Perno Allen $\phi 5/16 \times 41$ mm



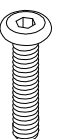
(H)

- x13 Flat Washer $\phi 5/16 \times 19 \times 2$ mm *
- x13 Rondelle plate $\phi 5/16 \times 19 \times 2$ mm
- x13 Arandela plana $\phi 5/16 \times 19 \times 2$ mm



(J)

- x1 Allen Key 5mm *
- x1 Clé hexagonale 5mm
- x1 Llave Allen 5mm



(K)

- x2 Allen bolt $\phi 1/4 \times 32$ mm *
- x2 Vis à tête creuse hexagonale $\phi 1/4 \times 32$ mm
- x2 Perno Allen $\phi 1/4 \times 32$ mm



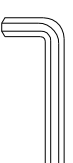
(L)

- x2 Flat Washer $\phi 1/4 \times 13 \times 2$ mm *
- x2 Rondelle plate $\phi 1/4 \times 13 \times 2$ mm
- x2 Arandela plana $\phi 1/4 \times 13 \times 2$ mm



(M)

- x2 Lock washer $\phi 1/4$ " *
- x2 Rondelle de blocage $\phi 1/4$ "
- x2 Arandela de Seguridad $\phi 1/4$ "
- x1 Allen Key 4mm *
- x1 Clé hexagonale 4mm
- x1 Llave Allen 4mm



(N)

* Replaceable Part

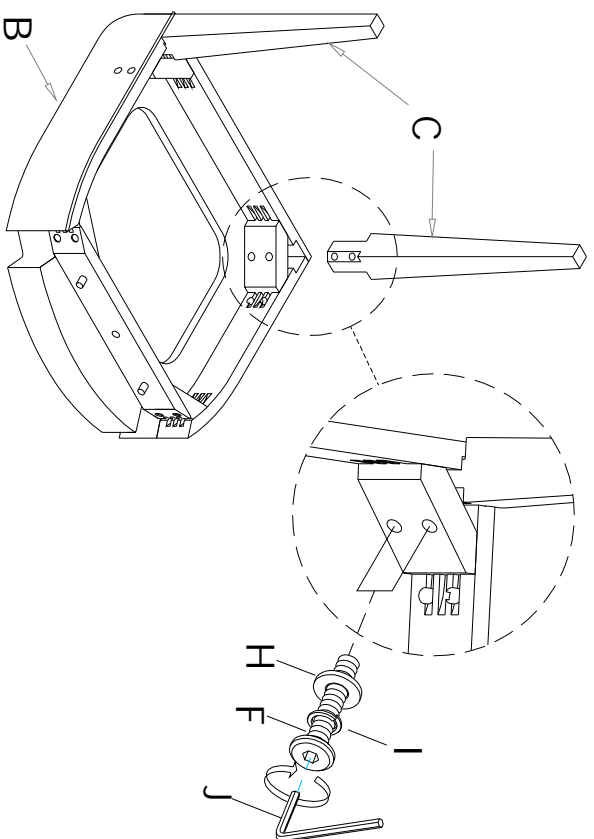
ASSEMBLY INSTRUCTIONS/ NOTICE DE MONTAGE/ INSTRUCCIONES DE MONTAJE

ITEM NO./ NO D'ARTICLE/ ARTICULO NO. : P375271

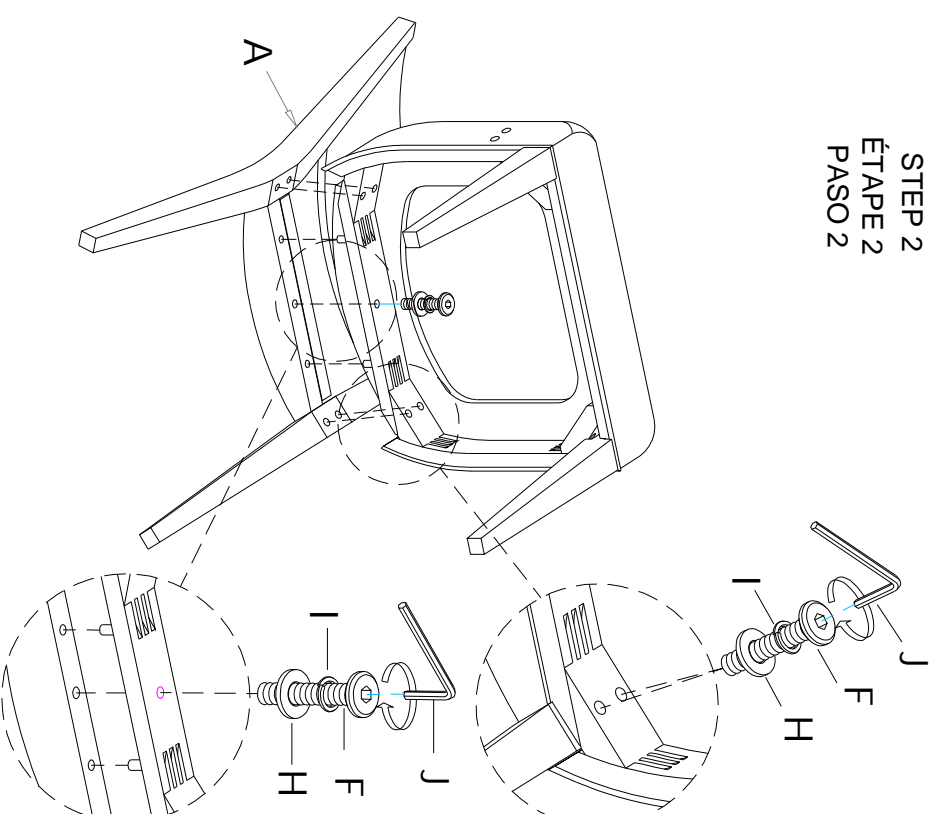
DESCRIPTION/ LA DESCRIPTION /DESCRIPCIÓN : Upholstered Arm Chair 2/cn /

Chaise à accoudoirs capitonnée 2 pièces par Boîte /
Silla de brazos tapizada 2 unids Por Caja

STEP 1 ÉTAPE 1 PASO 1



STEP 2 ÉTAPE 2 PASO 2



* Replaceable Part

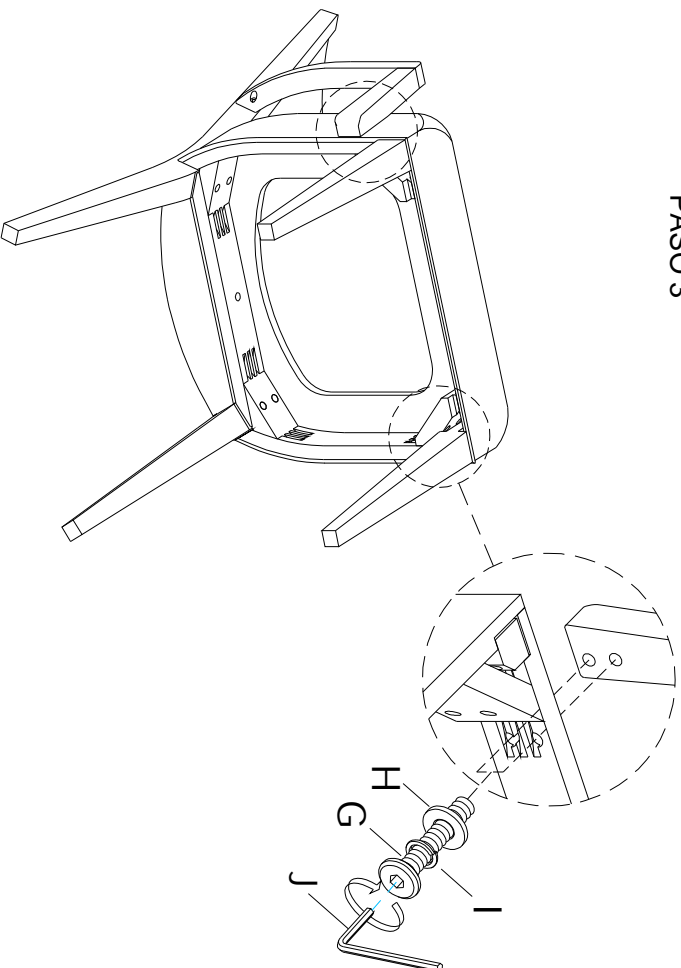
ASSEMBLY INSTRUCTIONS/ NOTICE DE MONTAGE/ INSTRUCCIONES DE MONTAJE

ITEM NO. / NO D'ARTICLE/ ARTICULO NO. : P375271

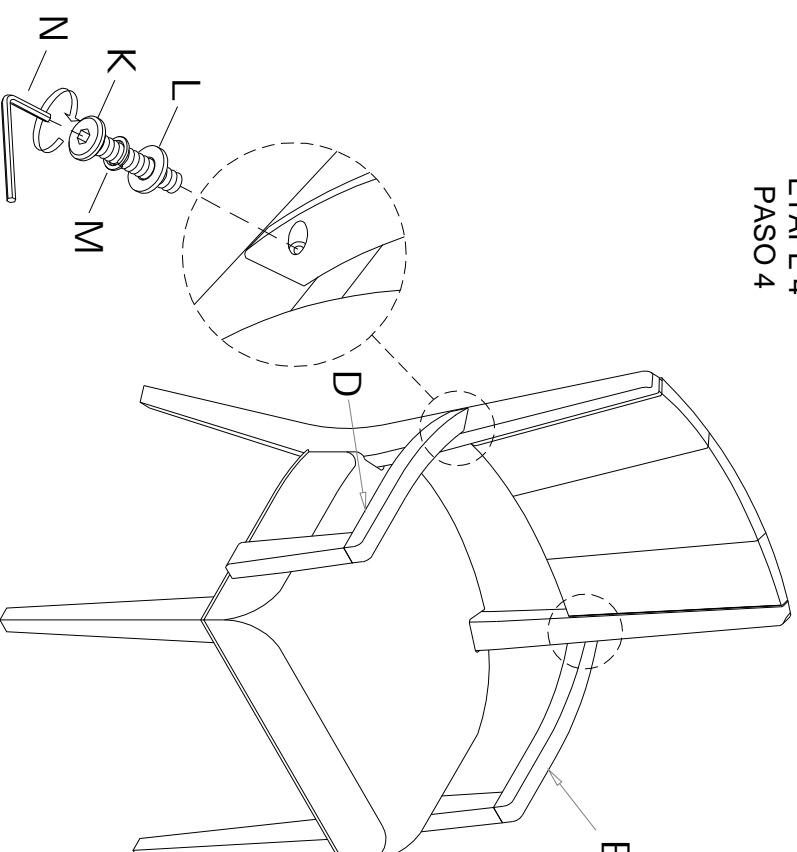
DESCRIPTION/ LA DESCRIPTION /DESCRIPCIÓN : Upholstered Arm Chair 2/cdn /

Chaise à accoudoirs capitonnée 2 pièces par Boîte /
Silla de brazos tapizada 2 unids Por Caja

STEP 3 ÉTAPE 3 PASO 3



STEP 4 ÉTAPE 4 PASO 4



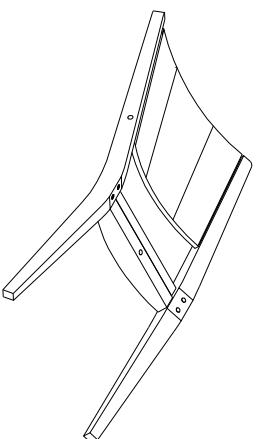
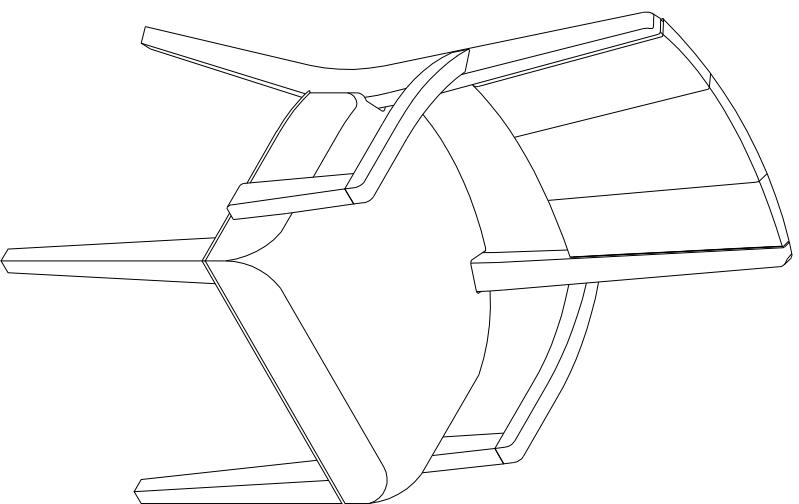
* Replaceable Part

REPLACEABLE PART / PARTIE REMPLAÇABLE / PARTE REEMPLAZABLE

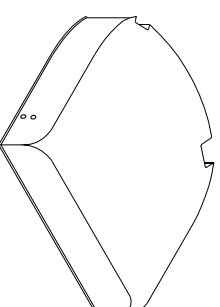
ITEM NO. / NO D'ARTICLE / ARTICULO NO. : P375271

DESCRIPTION/ LA DESCRIPTION / DESCRIPCIÓN : Upholstered Arm Chair 2/cn /

Chaise à accoudoirs capitonnée 2 pièces par Boîte /
Silla de brazos tapizada 2 unids Por Caja



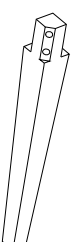
x1 RP375271-BACK-Chair Back *
Dossier de chaise
Pespaldo de silla



x1 RP375271-SEAT-Seat frame with cushion *
Siège avec coussin
Cojin de asiento con cuadro del asiento



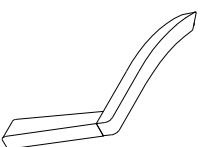
x1 RP375271-LEGL- Front leg (Left) *
Pate avant (Gauche)
Pata delantera (Izquierda)



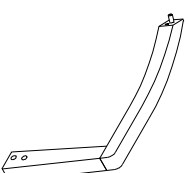
x1 RP375271-LEGR- Front leg (Right) *
Pate avant (Droite)
Pata delantera (Derecha)



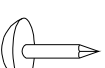
x1 RP375271-HWKIT-Hardware *
Liste des pièces de quincaillerie
Lista del kit de materiales



x1 RP375271-ARML- Arm Left *
Bras Gauche
Brazo Izquierda



x1 RP375271-ARMR / Right Arm *
Bras droit
Brazo derecho



x4 RC-WH-NAIL - White Plastic Nail *
Clou en plastique
Clavo de plastico

* Replaceable Part

Residential Use Only

Protect Your Wood or Laminate Flooring

* This statement applies to any floor without carpet.

If not careful, all furniture including upholstery and case pieces can scratch, scuff and even gouge floors. The recommendation is to have felt, rubber pads or area rugs under furniture on flooring without carpet.

Moving your furniture

Pushing and dragging furniture over floor without carpet can lead to scratches and scuffs. Have someone help when moving the larger pieces of furniture by lifting, try using a dolly or moving pads.

Felt and rubber pads

Applying furniture pads to the feet of furniture helps cushion contact points. Furniture pads can be found at local hardware stores. Felt pads slide easily across the floor, making them ideal for dining chairs and other pieces that move with use. Rubber pads will help furniture stay in place and are perfect for larger pieces, like sofas and loveseats.

Area rugs and rug pads

Using an are rug under furniture is another way to protect your floor from scratches and scuff marks. A rug pad under the area rug will provide extra cushion and added protection.

* *Replaceable Part*