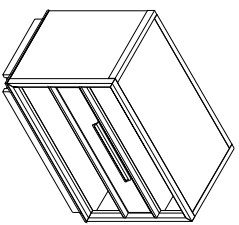
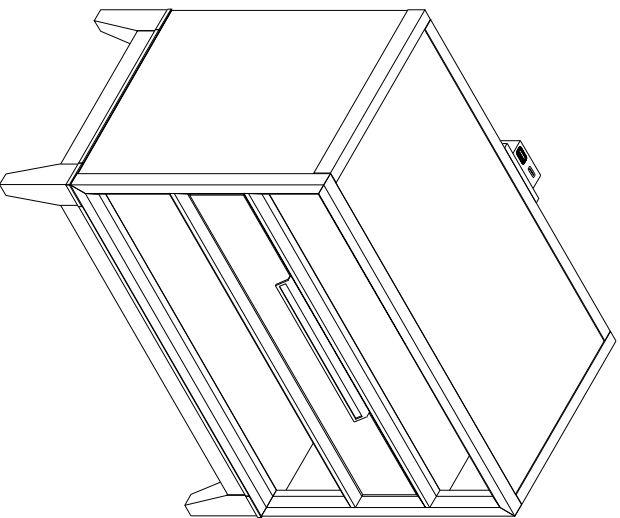
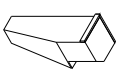


⚠ WARNING	<p>Children have died from furniture tipover. To reduce the risk of furniture tipover:</p> <ul style="list-style-type: none"> • NEVER put a TV on this product. • NEVER allow children to stand, climb or hang on drawers, doors, or shelves. • NEVER open more than one drawer at a time. • Place heaviest items in the lowest drawers. <p>This is a permanent label. Do not remove!</p>
	
	



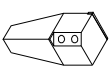
A

- x1 Bachelor's chest
- x1 Commode
- x1 Còmoda



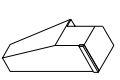
B

- x2 Front leg *
- x2 Pate avant
- x2 Pata delantera



C

- x1 Back leg (left) *
- x1 Patte arrière (gauche)
- x1 Pata trasera (izquierda)



D

- x1 Back leg (right) *
- x1 Patte arrière (droite)
- x1 Pata trasera (derecha)



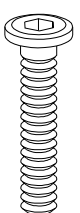
E

- x8 Flat Washer $\phi 5/16 \times 19 \times 2 \text{mm}$ *
- x8 Rondelle plate $\phi 5/16 \times 19 \times 2 \text{mm}$
- x8 Arandela plana $\phi 5/16 \times 19 \times 2 \text{mm}$



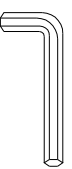
F

- x8 Lock washer $\phi 5/16 \text{''}$ *
- x8 Rondelle de blocage $\phi 5/16 \text{''}$
- x8 Arandela de Seguridad $\phi 5/16 \text{''}$



G

- x8 Allen bolt $\phi 5/16 \times 51 \text{mm}$ *
- x8 Vis à tête creuse hexagonale $\phi 5/16 \times 51 \text{mm}$
- x8 Perno Allen $\phi 5/16 \times 51 \text{mm}$



H

- x1 Allen Key 5mm *
- x1 Clé hexagonale 5mm
- x1 Llave Allen 5mm



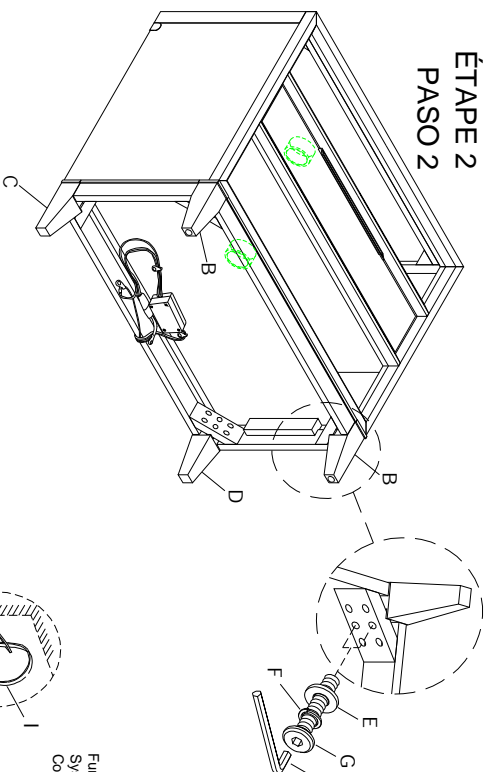
I

- x1 Furniture Tipping Restraint *
- x1 Systeme antibascullement
- x1 Control para evitar vuelcos

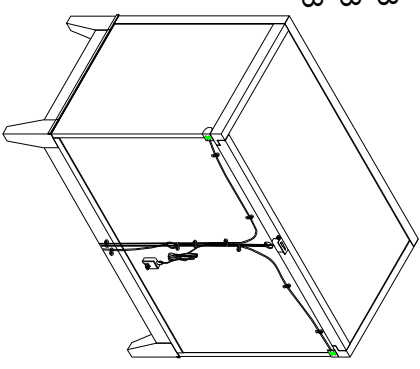
* Replaceable Part

⚠ WARNING	
	<p>Children have died from furniture tipover. To reduce the risk of furniture tipover:</p> <ul style="list-style-type: none"> • NEVER put a TV on this product. • NEVER allow children to stand, climb or hang on drawers, doors, or shelves. • NEVER open more than one drawer at a time. • Place heaviest items in the lowest drawers. <p>This is a permanent label. Do not remove!</p>
	

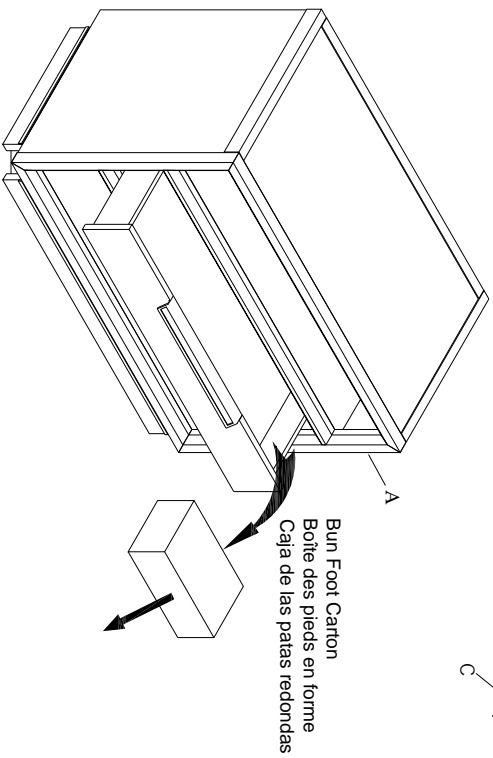
STEP 2
ÉTAPE 2
PASO 2



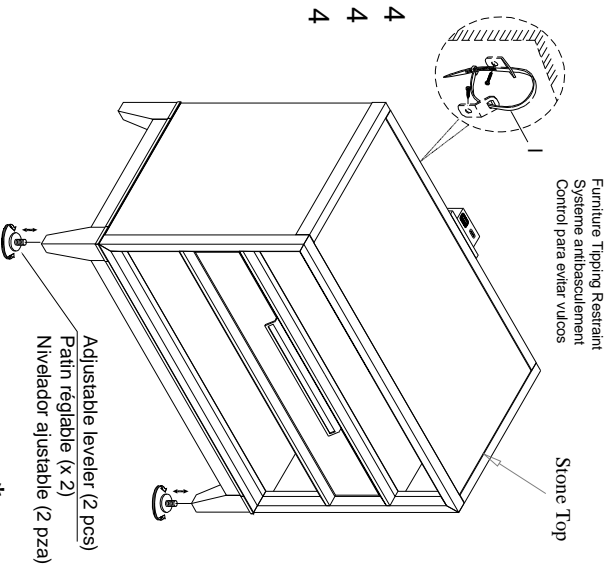
STEP 3
ÉTAPE 3
PASO 3



STEP 1
ÉTAPE 1
PASO 1

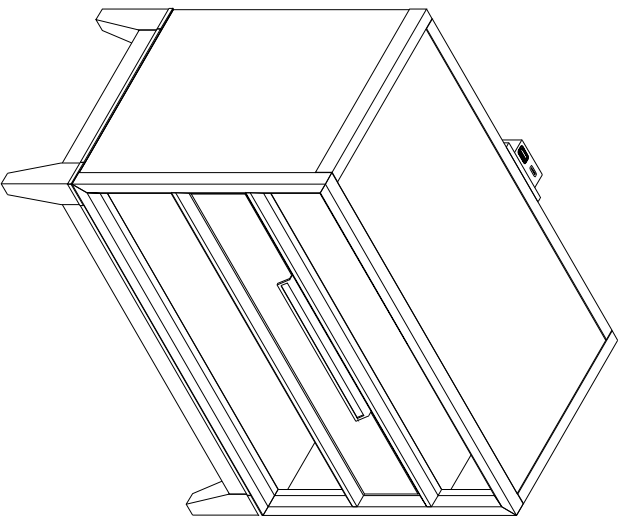



STEP 4
ÉTAPE 4
PASO 4

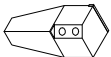


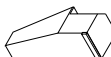
* Replaceable Part

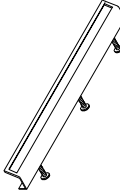
⚠ WARNING	
	<p>Children have died from furniture tipover. To reduce the risk of furniture tipover:</p> <ul style="list-style-type: none"> • NEVER put a TV on this product. • NEVER allow children to stand, climb or hang on drawers, doors, or shelves. • NEVER open more than one drawer at a time. • Place heaviest items in the lowest drawers. <p>This is a permanent label. Do not remove!</p>
	




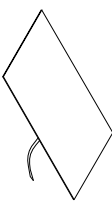
 *
 X2 RP375123-FLEG-FRONT LEG
 Jambes
 Piernas


 *
 X1 RP375123-BLEGL-BACK LEG-Left
 Jambes
 Piernas

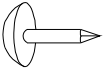
 *
 X1 RP375123-BLEGR-BACK LEG-Right
 Jambes
 Piernas


 *
 X1 RP375123-P-PULL - Pull with Screw
 Poignée + vis
 Tirador + Tornillo

 *
 X1 COMGLIDE-10-45-Drawer Glide
 Tiroir Glide
 Deslizamiento del cajón


 *
 X1 RP375123-FEL-T-Removable Felt
 Removable Felt
 Feltre Fieltro

 *
 X1 RP375123-USB-Usb Port
 Cordon d'alimentation
 Cordon eléctrico

 *
 X2 RC-WH-NAIL - White Plastic Nail
 Clou en plastique
 Clavo de plástico

 *
 X1 RP375123-HWKIT -Hardware kit list
 Liste des pièces de quincaillerie
 Lista del kit de materiales

 *
 X2 RC-FG-WHITE-White Leveler
 Patin réglable
 Nivelador

 *
 X1 RC-ANTT-TIP- Anti-tipping Restraint
 Systeme antibasculement
 Control para evitar vlticos

* Replaceable Part

Protect Your Wood or Laminate Flooring

* This statement applies to any floor without carpet.

If not careful, all furniture including upholstery and case pieces can scratch, scuff and even gouge floors. The recommendation is to have felt, rubber pads or area rugs under furniture on flooring without carpet.

Moving your furniture

Pushing and dragging furniture over floor without carpet can lead to scratches and scuffs. Have someone help when moving the larger pieces of furniture by lifting, try using a dolly or moving pads.

Felt and rubber pads

Applying furniture pads to the feet of furniture helps cushion contact points. Furniture pads can be found at local hardware stores. Felt pads slide easily across the floor, making them ideal for dining chairs and other pieces that move with use. Rubber pads will help furniture stay in place and are perfect for larger pieces, like sofas and loveseats.

Area rugs and rug pads

Using an are rug under furniture is another way to protect your floor from scratches and scuff marks. A rug pad under the area rug will provide extra cushion and added protection.

* *Reproachable Part*