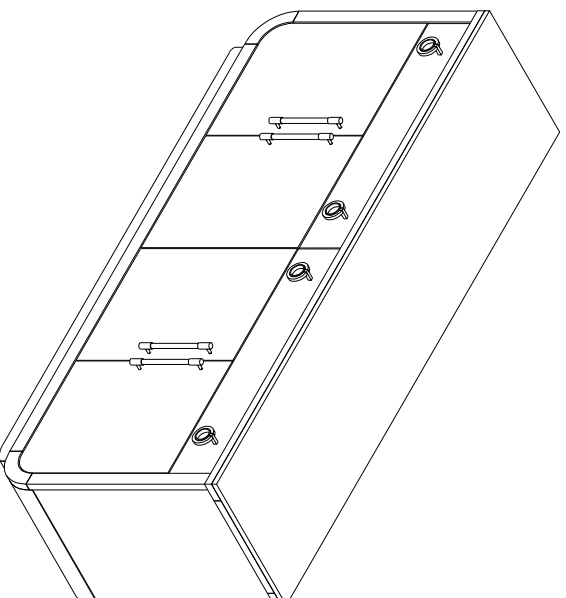


## PARTS LIST / LISTE DES PIÈCES / LISTA DE PIEZAS

ITEM NO./ NO D'ARTICLE/ ARTICULO NO. :P378302

DESCRIPTION/ LA DESCRIPTION /DESCRIPCIÓN : Buffet / Buffet / Aparador

<b>▲ WARNING</b>	
	
<p>Children have died from furniture tipover. To reduce the risk of furniture tipover:</p> <ul style="list-style-type: none"> <li>• <b>NEVER</b> put a TV on this product.</li> <li>• <b>NEVER</b> allow children to stand, climb or hang on drawers, doors, or shelves.</li> <li>• <b>NEVER</b> open more than one drawer at a time.</li> <li>• Place heaviest items in the lowest drawers.</li> </ul> <p>This is a permanent label. Do not remove!</p>	



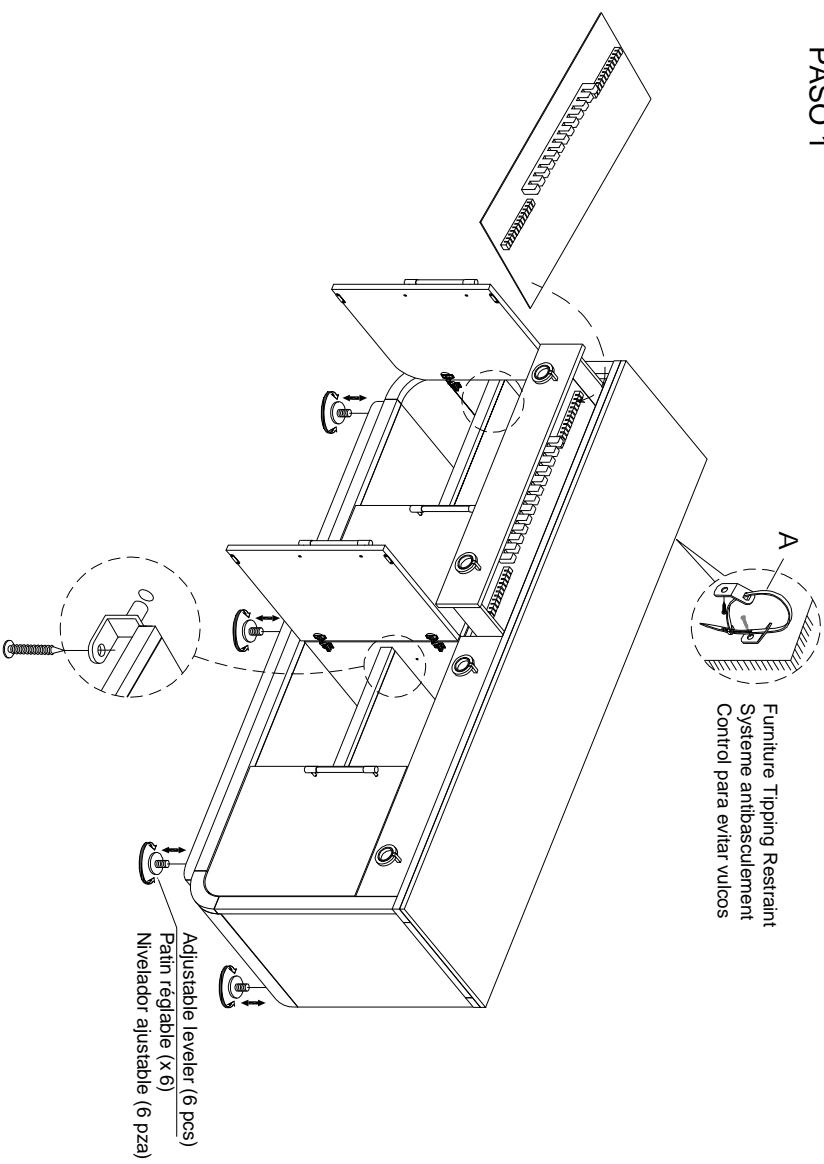
A

- x1 Furniture Tipping Restraint \*
- x1 Systeme antibasculement
- x1 Control para evitar vultcos

\* *Replaceable Part*

<b>⚠ WARNING</b>
  <p>Children have died from furniture tipover. To reduce the risk of furniture tipover:</p> <ul style="list-style-type: none"> <li>• <b>NEVER</b> put a TV on this product.</li> <li>• <b>NEVER</b> allow children to stand, climb or hang on drawers, doors, or shelves.</li> <li>• <b>NEVER</b> open more than one drawer at a time.</li> <li>• Place heaviest items in the lowest drawers.</li> </ul> <p>This is a permanent label. Do not remove!</p>

**STEP 1**  
**ÉTAPE 1**  
**PASO 1**



\* Replaceable Part

**REPLACEABLE PART / PARTIE REMPLAÇABLE / PARTE REEMPLAZABLE**  
 ITEM NO. / NO D'ARTICLE / ARTICULO NO. : P378302  
 DESCRIPTION / LA DESCRIPTION / DESCRIPCIÓN : Buffet / Buffet / Aparador

⚠ WARNING

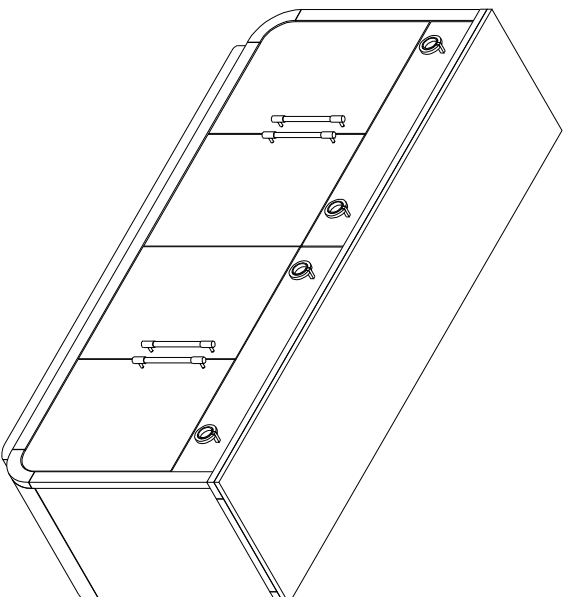


Children have died from furniture tipover. To reduce the risk of furniture tipover:

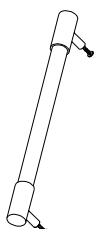
- NEVER put a TV on this product.
- NEVER allow children to stand, climb or hang on drawers, doors, or shelves.
- NEVER open more than one drawer at a time.

Place heaviest items in the lowest drawers.  
 This is a permanent label. Do not remove!

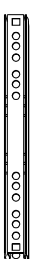




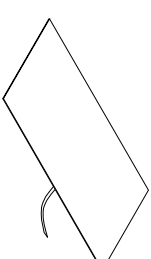
x4 RP378302-PULL-Pull with Screw \*  
 Poignée + vis  
 Tirador + Tornillo



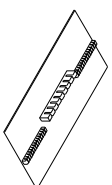
x4 RP378302-LPULL-Large Pull with Screw \*  
 Poignée + vis  
 Tirador + Tornillo



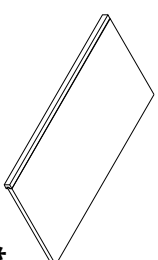
x2 COMGLIDE-12-45-Drawer Glide \*  
 Glissière  
 Carril de deslizamiento



x 1 RP378302-FELT - Removable felt \*  
 Feutre  
 Feltro



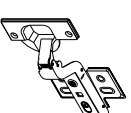
x1 RP378302-TRAY - Jewelry tray \*  
 Plateau de bijoux  
 Bandeja de joyas



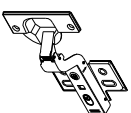
x2 RP378302-SHELF-Wood Shelf \*  
 Étagère  
 Repisa/ Estante



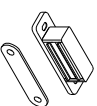
x8 RP378302-PIN-Shelf Support \*  
 Supports Pour  
 Tablette Supporte De Las Repisas



x4 RP378302-HINGE1 - Big Curved Door Hinge \*  
 Charnière de porte courbe (Grande)  
 Bisagra de la puerta curva (Grande)



x4 RP378302-HINGE2 - Small Curved Door Hinge \*  
 Charnière de porte courbe (petit)  
 Bisagra de la puerta curva (pequeña)



x4 RP378302-CATCH-Door Catch \*  
 Catch de aimant  
 Captura de imán



x6 RC-FG-WHITE-White Leveler \*  
 Patin réglable  
 Nivelador



x1 RC-ANTI-TIP - Anti-tipping Restrainer \*  
 Système antibascullement  
 Control para evitar vuelcos

\* Replaceable Part

## **Protect Your Wood or Laminate Flooring**

\* This statement applies to any floor without carpet.

If not careful, all furniture including upholstery and case pieces can scratch, scuff and even gouge floors. The recommendation is to have felt, rubber pads or area rugs under furniture on flooring without carpet.

### **Moving your furniture**

Pushing and dragging furniture over floor without carpet can lead to scratches and scuffs. Have someone help when moving the larger pieces of furniture by lifting, try using a dolly or moving pads.

### **Felt and rubber pads**

Applying furniture pads to the feet of furniture helps cushion contact points. Furniture pads can be found at local hardware stores. Felt pads slide easily across the floor, making them ideal for dining chairs and other pieces that move with use. Rubber pads will help furniture stay in place and are perfect for larger pieces, like sofas and loveseats.

### **Area rugs and rug pads**

Using an are rug under furniture is another way to protect your floor from scratches and scuff marks. A rug pad under the area rug will provide extra cushion and added protection.

\* *Reproachable Part*