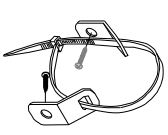
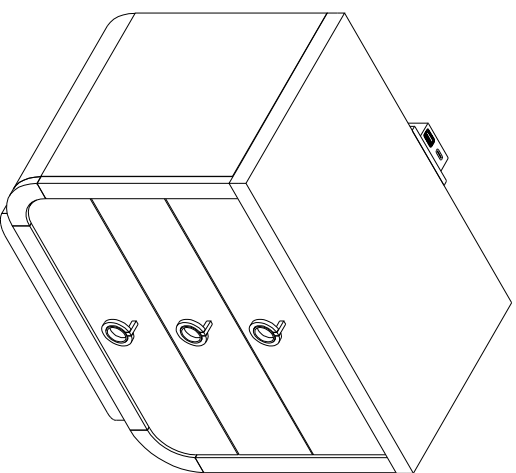


PARTS LIST / LISTE DES PIÈCES / LISTA DE PIEZAS

ITEM NO. / NO D'ARTICLE/ ARTICULO NO. : P378140

DESCRIPTION/ LA DESCRIPTION /DESCRIPCIÓN: NIGHTSTAND / TABLE DE CHEVET / MESA DE NOCHE

⚠ WARNING	
	<p>Children have died from furniture tipover. To reduce the risk of furniture tipover:</p> <ul style="list-style-type: none"> • NEVER put a TV on this product. • NEVER allow children to stand, climb or hang on drawers, doors, or shelves. • NEVER open more than one drawer at a time. • Place heaviest items in the lowest drawers. <p>This is a permanent label. Do not remove!</p>
	



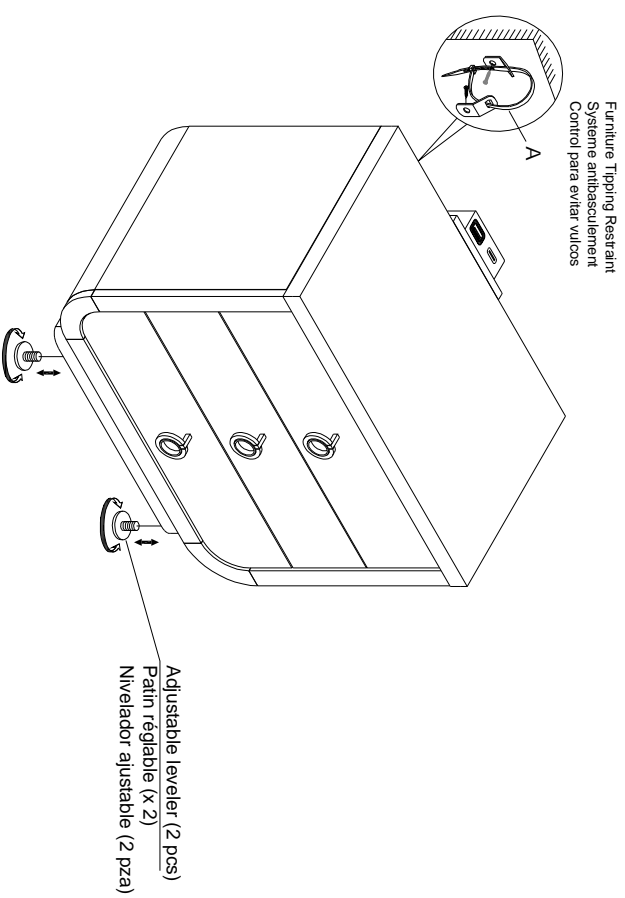
A

- x1 Furniture Tipping Restraint *
- x1 Systeme antibasculement
- x1 Control para evitar vuelcos

* Replaceable Part

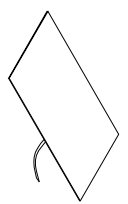
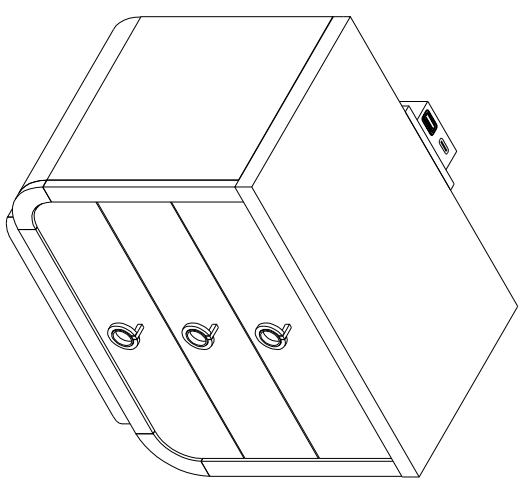
⚠ WARNING	
	<p>Children have died from furniture tipover. To reduce the risk of furniture tipover:</p> <ul style="list-style-type: none"> • NEVER put a TV on this product. • NEVER allow children to stand, climb or hang on drawers, doors, or shelves. • NEVER open more than one drawer at a time. • Place heaviest items in the lowest drawers. <p>This is a permanent label. Do not remove!</p>
	

STEP 1
ÉTAPE 1
PASO 1



* *Replaceable Part*

⚠ WARNING	
	<p>Children have died from furniture tipover. To reduce the risk of furniture tipover:</p> <ul style="list-style-type: none"> • NEVER put a TV on this product. • NEVER allow children to stand, climb or hang on drawers, doors, or shelves. • NEVER open more than one drawer at a time. • Place heaviest items in the lowest drawers. <p>This is a permanent label. Do not remove!</p>
	



x1 RP378140-FELT-Removable Felt
 Feutre Feltro



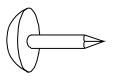
x3 COMGLIDE-10-45-Drawer Glide
 Tiroir Glide
 Deslizamiento del cajón



x1 RP378140-USBC-USB Port type C
 Cordon d'alimentation
 Cordon eléctrico



x1 RC-ANTI-TIP- Anti-tipping Restraint
 Systeme antibasculement
 Control para evitar vtilicos



x2 RC-WH-NAIL - White Plastic Nail
 Clou en plastique
 Clavo de plástico



x2 RC-FG-WHITE-White Leveler
 Patin réglable
 Nivelador



x3 RP378140-PULL-Pull with Screw
 Poignée + vis
 Tirador + Tornillo

*** Replaceable Part**

Protect Your Wood or Laminate Flooring

* This statement applies to any floor without carpet.

If not careful, all furniture including upholstery and case pieces can scratch, scuff and even gouge floors. The recommendation is to have felt, rubber pads or area rugs under furniture on flooring without carpet.

Moving your furniture

Pushing and dragging furniture over floor without carpet can lead to scratches and scuffs. Have someone help when moving the larger pieces of furniture by lifting, try using a dolly or moving pads.

Felt and rubber pads

Applying furniture pads to the feet of furniture helps cushion contact points. Furniture pads can be found at local hardware stores. Felt pads slide easily across the floor, making them ideal for dining chairs and other pieces that move with use. Rubber pads will help furniture stay in place and are perfect for larger pieces, like sofas and loveseats.

Area rugs and rug pads

Using an are rug under furniture is another way to protect your floor from scratches and scuff marks. A rug pad under the area rug will provide extra cushion and added protection.

* *Replaceable Part*