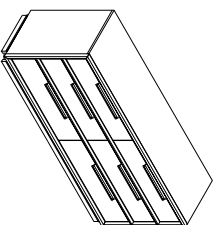
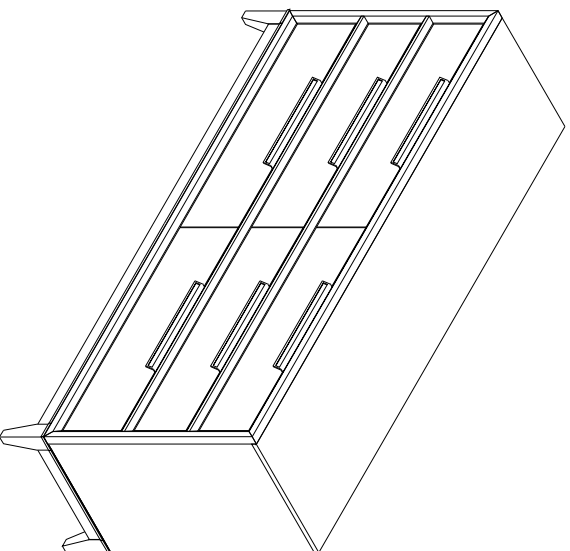


**PARTS LIST / LISTE DES PIÈCES / LISTA DE PIEZAS**  
 ITEM NO. / NO D'ARTICLE / ARTICULO NO. : P375100  
 DESCRIPTION/ LA DESCRIPTION / DESCRIPCIÓN: DRESSER/ COMMODOE/ TOCADOR



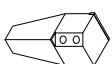
**A**

- x1 Dresser
- x1 Commode
- x1 Tocador



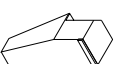
**B**

- x2 Front leg \*
- x2 Patte avant \*
- x2 Pata delantera



**C**

- x1 Back leg (left) \*
- x1 Patte arrière (gauche)
- x1 Pata trasera (izquierda)



**D**

- x1 Back leg (right) \*
- x1 Patte arrière (droite)
- x1 Pata trasera (derecha)



**E**

- x1 Center leg \*
- x1 Pates centrales
- x1 Patas centrales



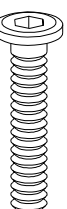
**F**

- x8 Flat Washer  $\phi 5/16 \times 19 \times 2mm$  \*
- x8 Rondelle plate  $\phi 5/16 \times 19 \times 2mm$
- x8 Arandela plana  $\phi 5/16 \times 19 \times 2mm$



**G**

- x8 Lock washer  $\phi 5/16$  \*
- x8 Rondelle de blocage  $\phi 5/16$
- x8 Arandela de Seguridad  $\phi 5/16$



**H**

- x8 Allen bolt  $\phi 5/16 \times 51mm$  \*
- x8 Vis à tête creuse hexagonale  $\phi 5/16 \times 51mm$
- x8 Perno Allen  $\phi 5/16 \times 51mm$



**I**

- x1 Allen Key 5mm \*
- x1 Clé hexagonale 5mm
- x1 Llave Allen 5mm



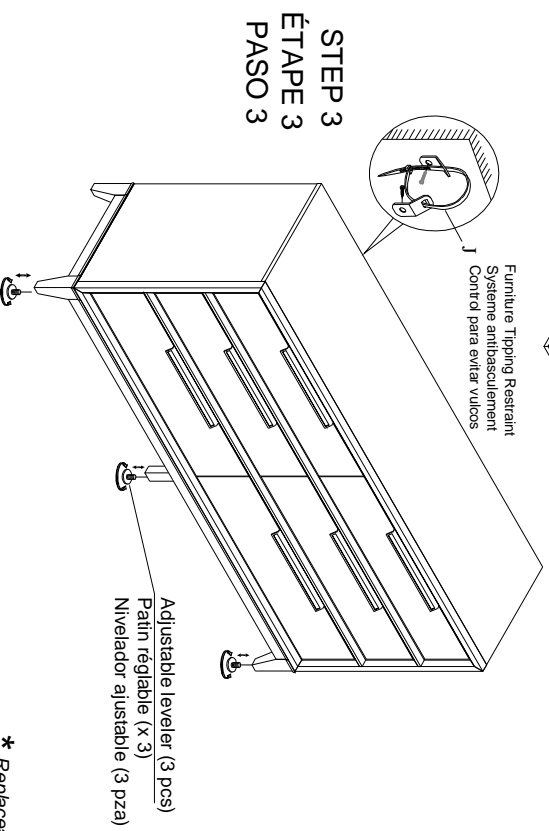
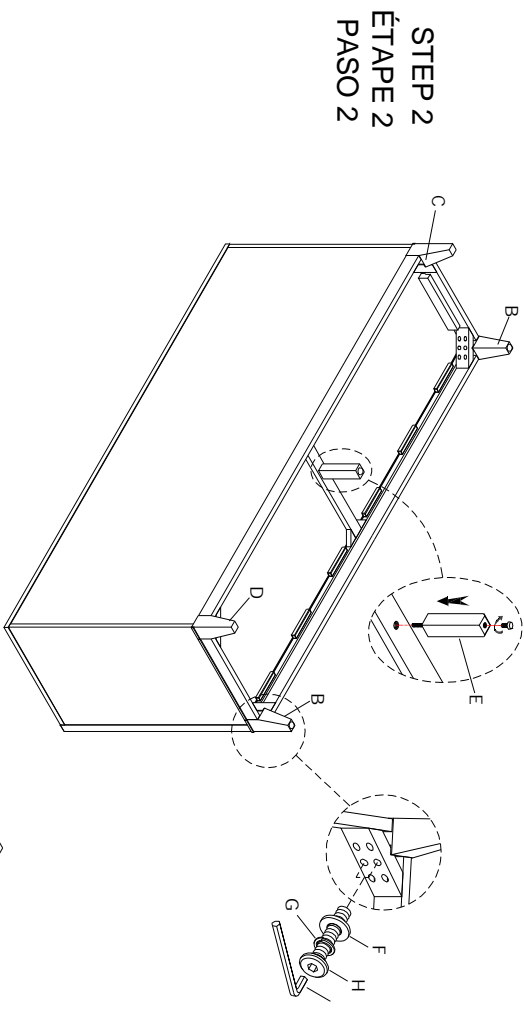
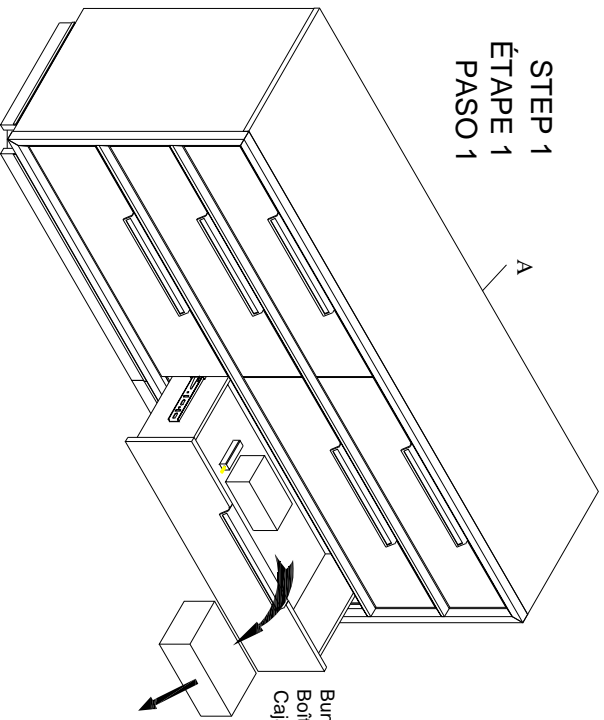
**J**

- x1 Furniture Tipping Restraint \*
- x1 Systeme antibasculement
- x1 Control para evitar vuelcos

\* Replaceable Part

Residential Use Only

<b>⚠ WARNING</b>	
	
<p>Children have died from furniture tipover. To reduce the risk of furniture tipover:</p> <ul style="list-style-type: none"> <li>• <b>NEVER</b> put a TV on this product.</li> <li>• <b>NEVER</b> allow children to stand, climb or hang on drawers, doors, or shelves.</li> <li>• <b>NEVER</b> open more than one drawer at a time.</li> <li>• Place heaviest items in the lowest drawers.</li> </ul> <p>This is a permanent label. Do not remove!</p>	



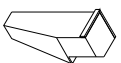
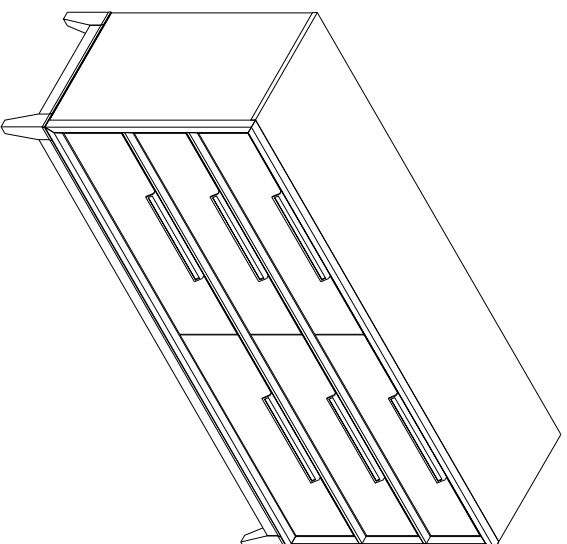
\* Replaceable Part

## REPLACEABLE PART / PARTIE REMPLAÇABLE / PARTE REEMPLAZABLE

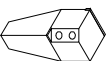
ITEM NO. / NO D'ARTICLE/ ARTICULO NO. : P375100

DESCRIPTION/ LA DESCRIPTION /DESCRIPCIÓN: DRESSER/ COMMODOE/ TOCADOR

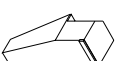
<b>WARNING</b>	
	<p>Children have died from furniture tipover. To reduce the risk of furniture tipover:</p> <ul style="list-style-type: none"> <li><b>NEVER</b> put a TV on this product.</li> <li><b>NEVER</b> allow children to stand, climb or hang on drawers, doors, or shelves.</li> <li><b>NEVER</b> open more than one drawer at a time.</li> <li>Place heaviest items in the lowest drawers.</li> </ul> <p>This is a permanent label. Do not remove!</p>
	



x2 RP375100-FLEG-FRONT LEG \*  
Jambes  
Piernas



x1 RP375100-BLEGL-BACK LEG-Left \*  
Jambes  
Piernas



x1 RP375100-BLEGR-BACK LEG-Right \*  
Jambes  
Piernas



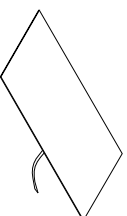
x6 RP375100-PULL-Pull with Screw \*  
Poignée + vis  
Tirador + Tornillo



x6 COMGLIDE-10-45 - Drawer Glide \*  
Tiroir  
Glide  
Deslizamiento del cajón



x1 RP375100-CE-Center Leg \*  
Support central  
Soporte para la pata central



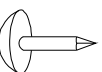
x2 RP375100-FELT-Removable Felt \*  
Removable Felt  
Feutre Fieltro



x1 RP375100-HWKIT-Hardware kit list \*  
Liste des pièces de quincaillerie  
Lista del kit de materiales



x3 RC-FG-WHITE-White Leveler \*  
Patin réglable  
Nivelador



x2 RC-WH-NAIL - White Plastic Nail \*  
Clou en plastique  
Clavo de plástico



x1 RC-ANTI-TIP - Anti-tipping Restraint \*  
Système antibasculement  
Control para evitar vuelcos

\* Replaceable Part

## **Protect Your Wood or Laminate Flooring**

\* This statement applies to any floor without carpet.

If not careful, all furniture including upholstery and case pieces can scratch, scuff and even gouge floors. The recommendation is to have felt, rubber pads or area rugs under furniture on flooring without carpet.

### **Moving your furniture**

Pushing and dragging furniture over floor without carpet can lead to scratches and scuffs. Have someone help when moving the larger pieces of furniture by lifting, try using a dolly or moving pads.

### **Felt and rubber pads**

Applying furniture pads to the feet of furniture helps cushion contact points. Furniture pads can be found at local hardware stores. Felt pads slide easily across the floor, making them ideal for dining chairs and other pieces that move with use. Rubber pads will help furniture stay in place and are perfect for larger pieces, like sofas and loveseats.

### **Area rugs and rug pads**

Using an are rug under furniture is another way to protect your floor from scratches and scuff marks. A rug pad under the area rug will provide extra cushion and added protection.

\* *Reproducible Part*