

SAFETY INFORMATION

Please read and understand this entire manual before attempting to assemble, install or operate the product.

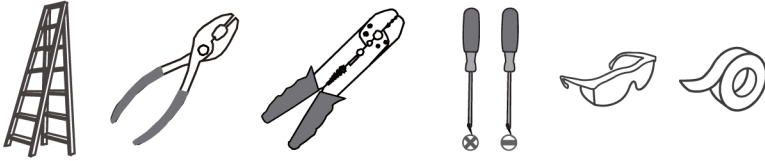
WARNING

- RISK OF ELECTRIC SHOCK - Before beginning installation, turn off electricity at the circuit breaker box or the main fuse box.

CAUTION

- For your safety, read instructions completely before beginning installation.
- If in doubt about electrical installation, consult a licensed electrician.

TOOLS REQUIRED

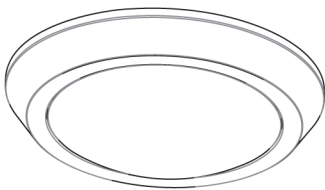


Ratings	120Vac, 60Hz	
	Model No.	Wattage
	VRG1605W	12W
	VRG1605BN	12W
	VRG1605OI	12W
	VRG1605EK	12W

CARE AND MAINTENANCE

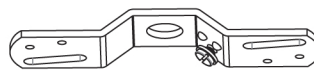
- Wipe clean using soft, dry cloth or static duster. Always avoid using harsh chemicals and abrasives to clean fixture as they may damage the finish.

PACKAGE CONTENTS



A Fixture Body
x 1

MOUNTING HARDWARE



AA Crossbar
x 1



BB Wire Connector
x 3



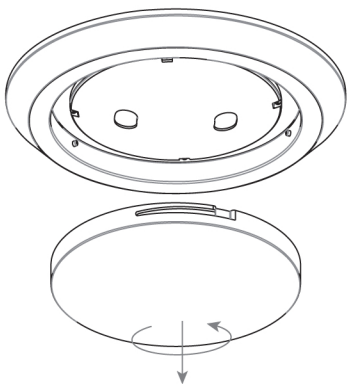
CC Outlet Box Screw
x 2



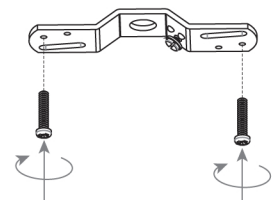
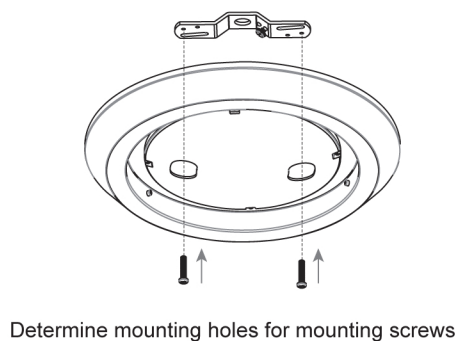
DD Mounting Screw
x 2

INSTALLATION

1 Remove Shade

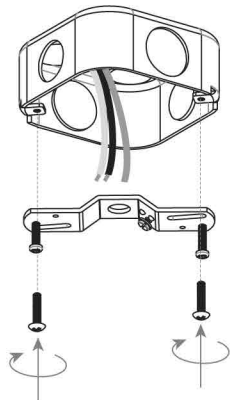


2 Install Mounting Screws to Crossbar

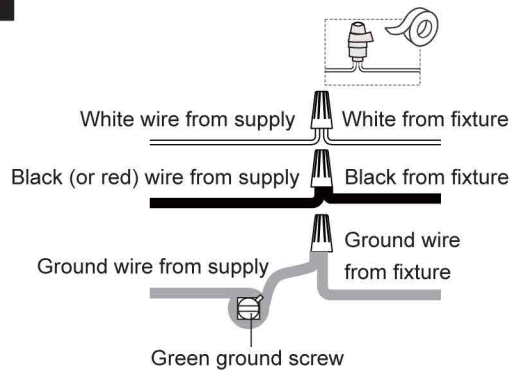


Install mounting screws
* Screw in about 0.5".

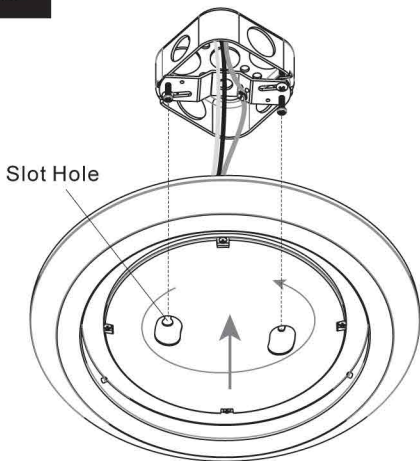
3 Install Crossbar



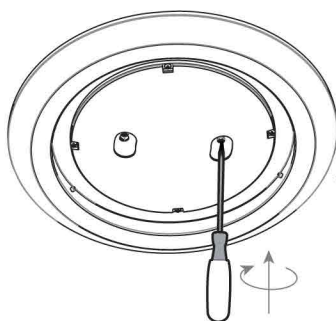
4 Wiring



5 Install Ceiling Canopy

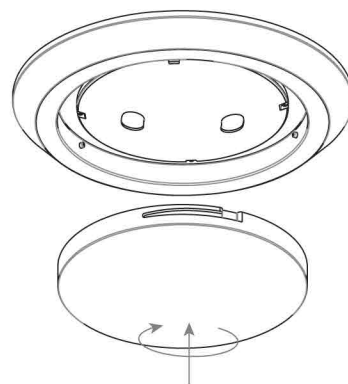


Fit slot holes to mounting screws



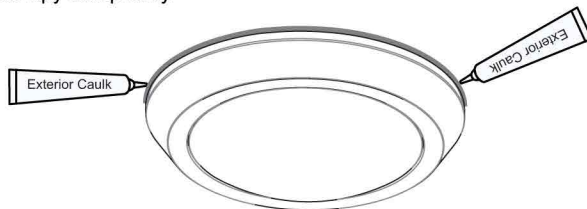
Tighten mounting screws

6 Install Shade



7 Apply Caulking

*Note: Caulk over top of the ceiling canopy completely.



Your installation is now complete! Restore electricity and save this sheet for future reference.