

## SAFETY INFORMATION

Please read and understand this entire manual before attempting to assemble, install or operate the product.

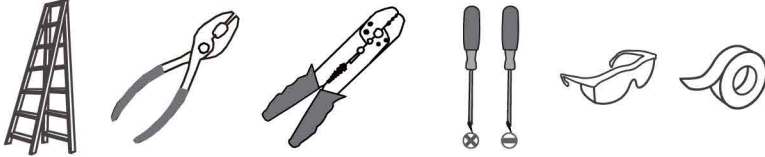
### WARNING

- RISK OF ELECTRIC SHOCK - Before beginning installation, turn off electricity at the circuit breaker box or the main fuse box.
- RISK OF FIRE - Use bulbs specified by the markings and/or labels on the fixture.

### CAUTION

- For your safety, read instructions completely before beginning installation.
- If in doubt about electrical installation, consult a licensed electrician.
- Turn off electricity to fixture before replacing the bulb(s).

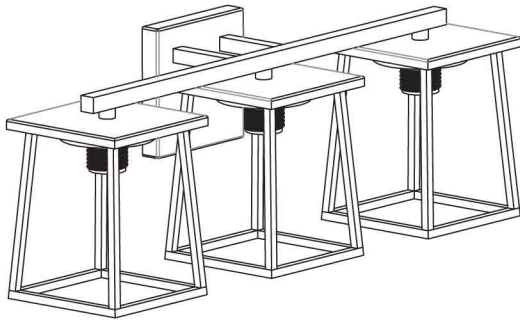
### TOOLS REQUIRED



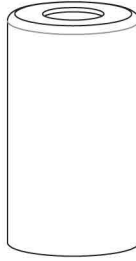
## CARE AND MAINTENANCE

- Wipe clean using soft, dry cloth or static duster. Always avoid using harsh chemicals and abrasives to clean fixture as they may damage the finish.

## PACKAGE CONTENTS



**A** Fixture Body  
x 1



**B** Glass Shade  
x 3

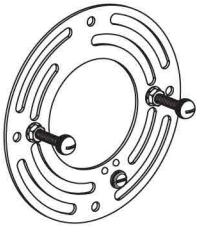


**C** Socket Collar  
[pre-assembled  
to Fixture Body]  
x 3



**D** Socket Collar Tool  
x 1

## MOUNTING HARDWARE



**AA** Crossbar Assembly  
x 1



**BB** Alternative  
Mounting Screw  
x 2

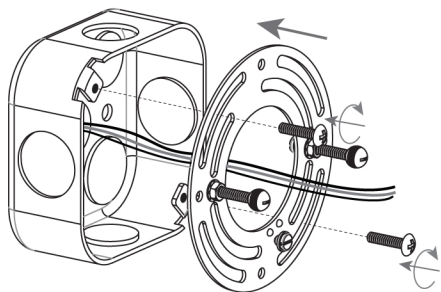


**CC** Wire Connector  
x 3



**DD** Outlet Box Screw  
x 2

### 1 Install Crossbar Assembly

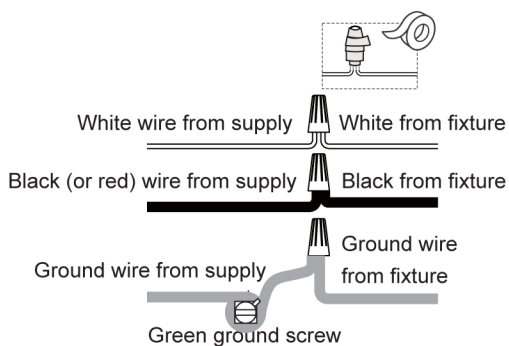


(2) Alternative Screws

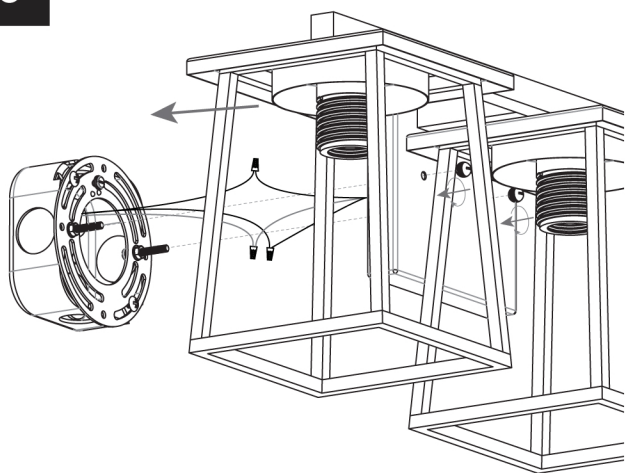


\* Alternative screws are provided to replace pre-assembled mounting screws if necessary.

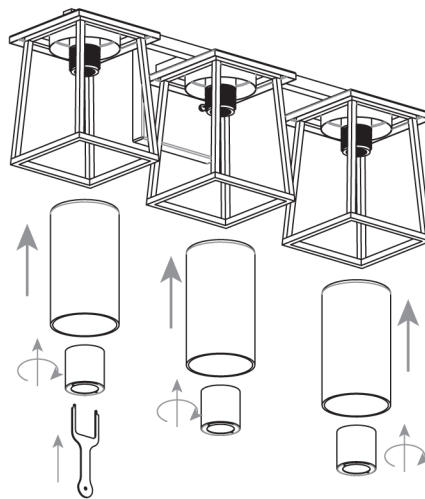
### 2 Wiring



### 3 Install Fixture Body



### 4 Install Glass Shade



### 5 Install Bulbs

Install three correct bulbs referring to fixture markings and/or labels for maximum wattage.

Recommended Bulb type (not included):



BULB BASE TYPE  
Medium (E26)



BULB SHAPE  
TYPE A

Your installation is now complete! Restore electricity and save this sheet for future reference.