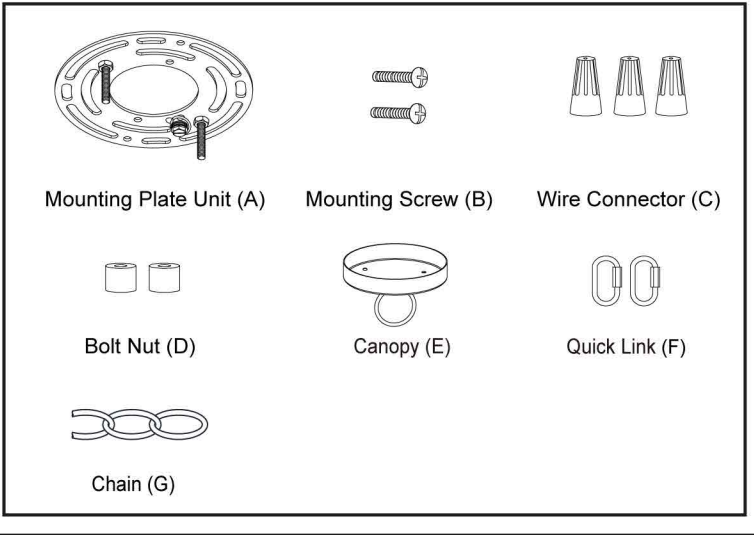


ASSEMBLY AND INSTALLATION INSTRUCTIONS

WARNING: TO AVOID RISK OF ELECTRICAL SHOCK, BE SURE TO SHUT OFF POWER WHILE INSTALLING OR SERVICING THIS FIXTURE.

NOTE: 1. Before installing, consult local electrical codes for wiring and grounding requirements.
2. READ AND SAVE THIS INSTRUCTIONS.

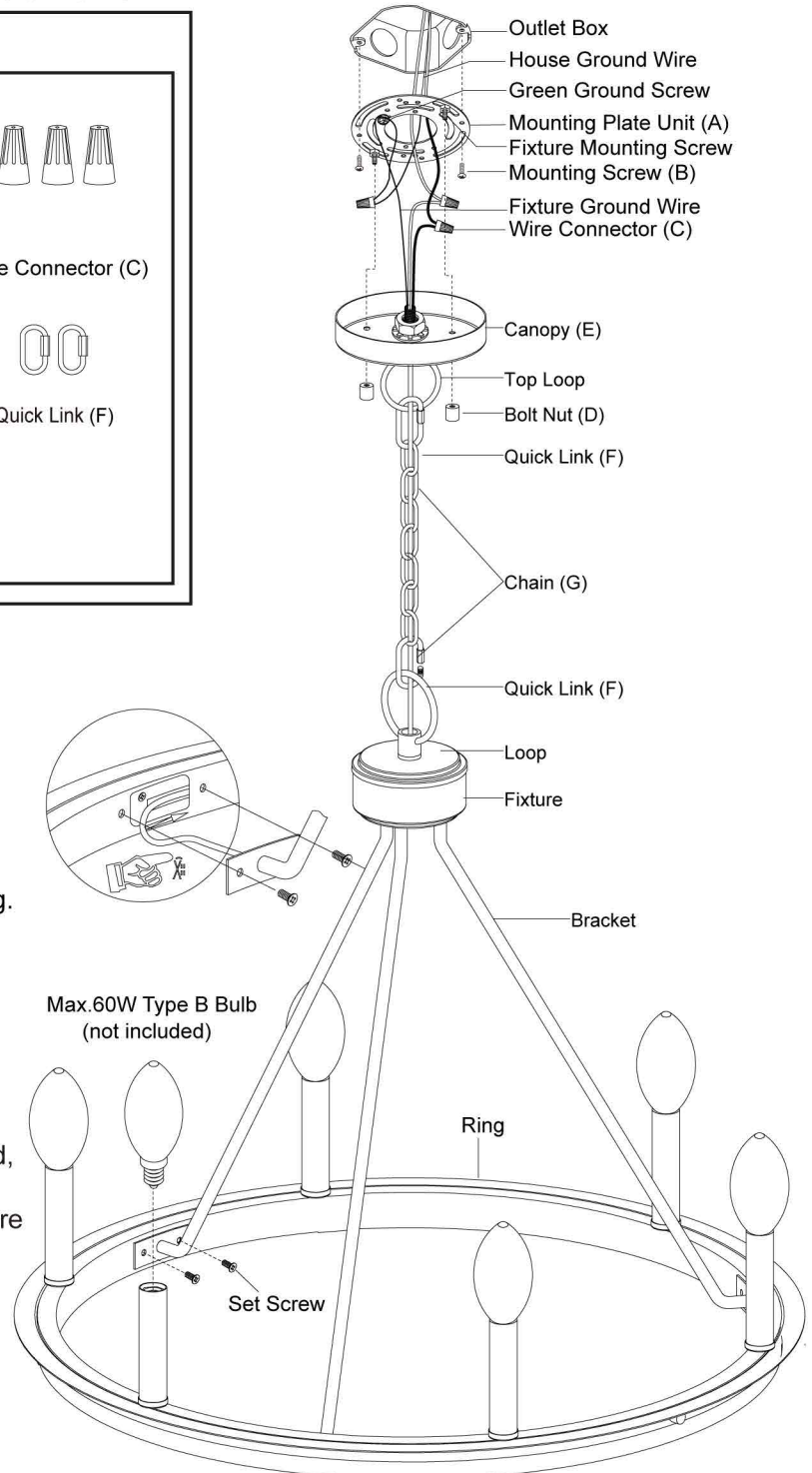
Hardware Package (included):



Installation Steps

Turn off the power at fuse or circuit box

1. Attach the mounting plate unit (A) to the outlet box by using two mounting screws (B).
2. Unscrew 6 pcs set screws inside the metal ring.
3. Adjust the angle of the brackets.
4. Carefully insert the cord into the reserved hole, align with the holes and lock the set screws in place.
5. Choose the length of the chain (G) you needed, use pliers (not included) to open and remove links to shorten the chain, then weave the fixture wire and the fixture ground wire through the chain (G) and canopy (E).
6. Connect one end of the chain (G) with the loop by using a quick link (F).
7. Connect the other end of the chain (G) by using another quick link (F).
8. Thread the fixture wire and fixture ground wire through mounting plat unit (A).



9. Pull out the source wires from the outlet box. Make wire connections using wire connector (C) as follows:
 ---Connect the smooth-coated wire (marked) from the fixture to the black wire from the power source.
 ---Connect the ribbed-coated wire (unmarked) from the fixture to the white wire from the power source.
 ---Attach the fixture ground wire to the mounting strap unit (A) with the green ground screw, then connect it to the house ground with a wire connector (C).
 Carefully put the wires back into the outlet box.

10. Attach the canopy (E) to the mounting strap unit (A) by bolt nuts (D).

11. Install 6 x 60W max. candelabra base bulbs (not included). Check relamping label at socket area or packaging for maximum wattage allowed.

Turn off the power at fuse or circuit box

The following parts are available for re-order if damaged or missing.

Spare Parts List:

