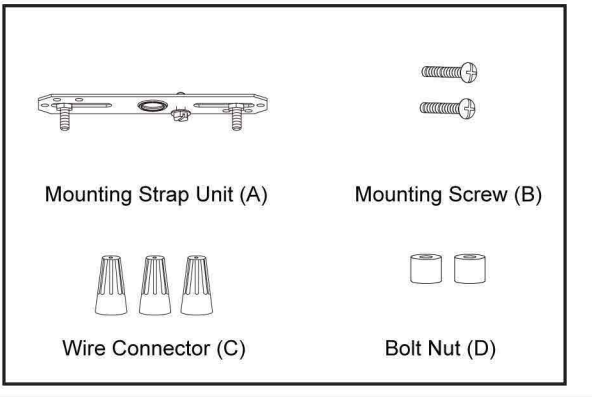


ASSEMBLY AND INSTALLATION INSTRUCTIONS

WARNING: TO AVOID RISK OF ELECTRICAL SHOCK, BE SURE TO SHUT OFF POWER WHILE INSTALLING OR SERVICING THIS FIXTURE.

NOTE: 1. Before installing, consult local electrical codes for wiring and grounding requirements.
2. Read and save these instructions.

Hardware Package (included):



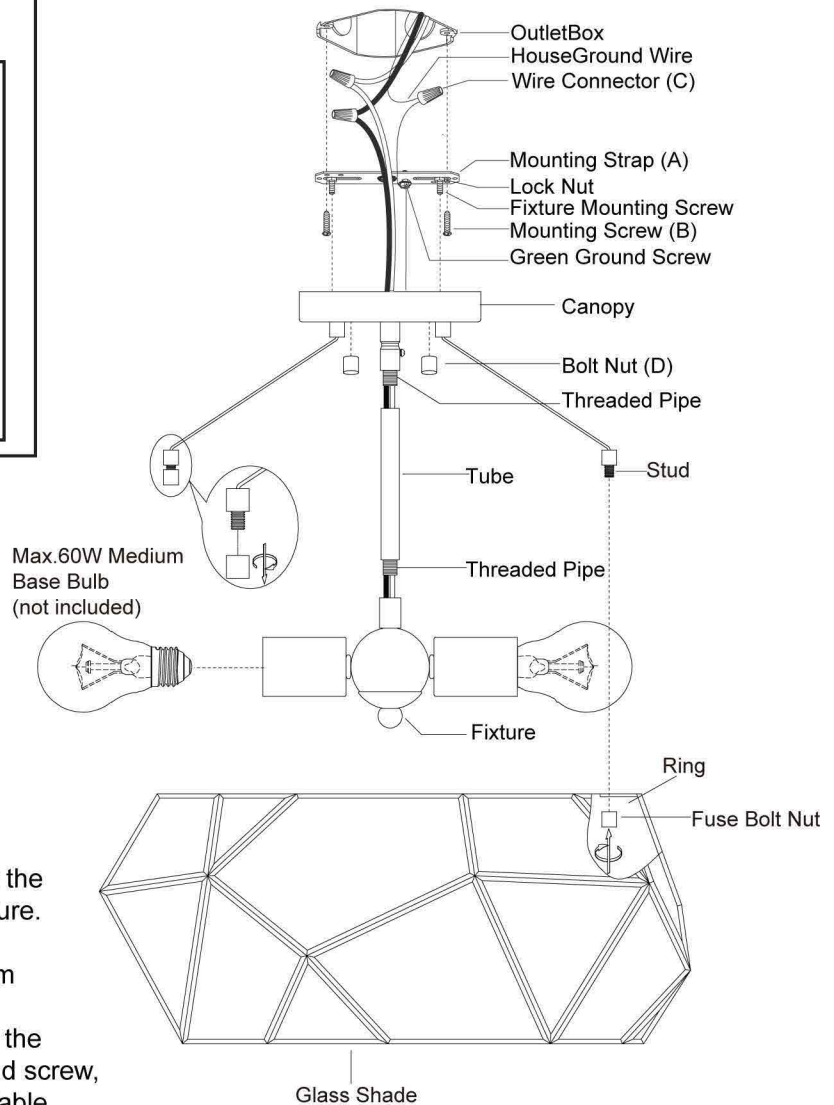
Installation Steps

Turn off the power at fuse or circuit box

1. Attach the mounting strap unit (A) to the outlet box by using two mounting screws (B).
2. Pull out the source wires from the outlet box. Make wire connections using wire connectors (C) as follows:
 - Connect the hot wire (black insulation) from the power source to the black wire from the fixture.
 - Connect the neutral wire (white insulation) from the power source to the white wire from the fixture.
 - Attach the fixture ground wire (bare wire) to the mounting strap unit (A) with the green ground screw, or connect to the source ground wire if available. Carefully put the wires back into the outlet box.
3. Attach the canopy to the mounting strap unit (A) by inserting the fixture mounting screws, then secure it with two bolt nuts (D).
4. Remove three fuse bolt nuts from three studs, thread the studs through the holes of the rings on the edge of glass shade, then secure them with fuse bolt nuts.

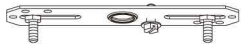
Note: When installing the ring, the ring must be placed as per the tag arrow points upward, do not reverse it.
5. Install 3 x 60W Max. medium base bulbs (not included). See relamping label at socket area or packaging for maximum wattage allowed.

Turn on the power at fuse or circuit box



The following parts are available for re-order if damaged or missing.

Spare Parts List:



Mounting plate Unit (A)



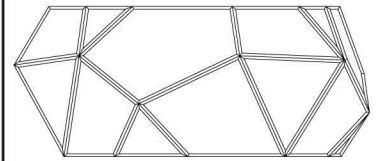
Mounting Screw (B)



Wire Connector (C)

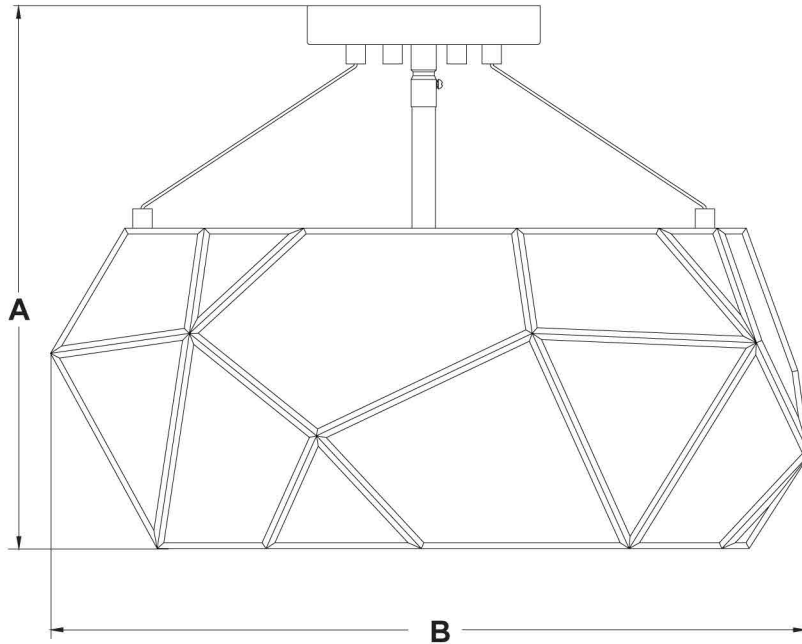


Bolt Nut (D)



Glass Shade
10340MG

↓ Mounting Hardware
6159MM (1SET)



A: 11"

B: 16"

1 Year Warranty

Exclusions: This warranty does not include the failure of products from extreme acts of nature; environmental conditions not suited for the products intended use; operation in temperatures outside of the range specified in the instruction manual; usage with improper power supply, power surges or dips. For coastal locations, some corrosion is considered normal for the environment.