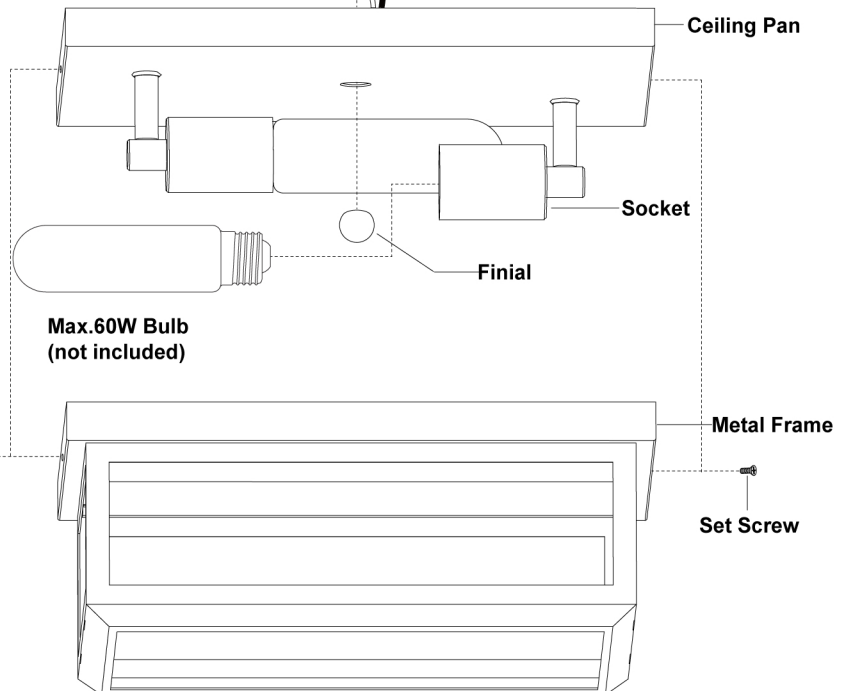
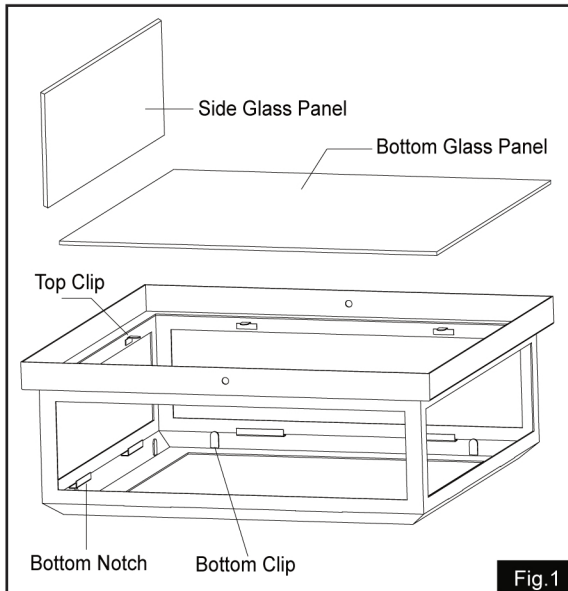
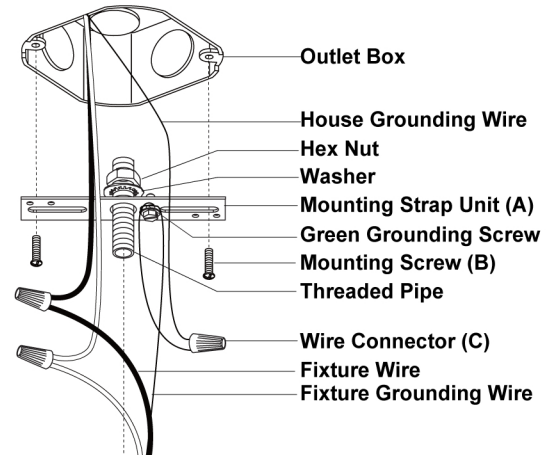
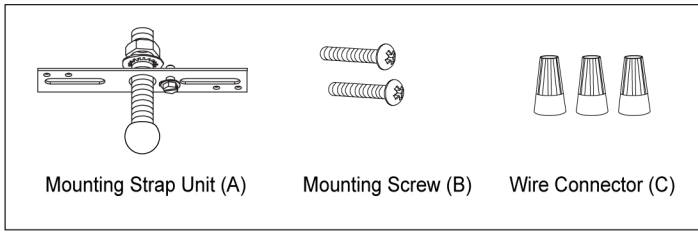


ASSEMBLY AND INSTALLATION INSTRUCTIONS

WARNING: Turn off the main power at circuit breaker before installing fixture.
AVERTISSEMENT: Coupez la source d'alimentation principale au panneau central de disjoncteurs avant d'installer le luminaire.

NOTE: 1. Before installing, consult local electrical codes for wiring and grounding requirements.
2. READ AND SAVE THESE INSTRUCTIONS.

Hardware Package (included):



Installation Steps

Turn off the power at fuse or circuit box.

1. Attach the mounting strap unit (A) to the outlet box by using two mounting screws (B).
2. Remove two set screws to separate the metal frame from the ceiling pan.

3. Pull out the source wires from the outlet box. Make wire connections using wire connectors (C) as follows:
 - Connect the hot wire (usually black insulation) from the fixture to the black wire from the power source.
 - Connect the neutral wire (usually white insulation) from the fixture to the white wire from the power source.
 - Attach the fixture grounding wire (usually green with the insulation or bare wire) to the mounting strap unit (A) with the green grounding screw. Then, depending on local code, connect it to the house grounding wire with the wire connector (C).

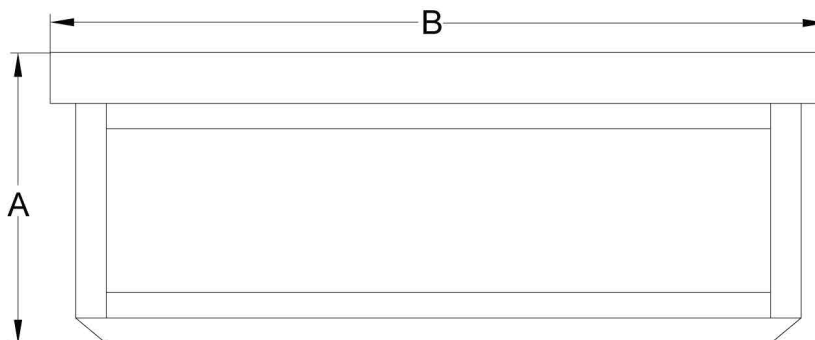
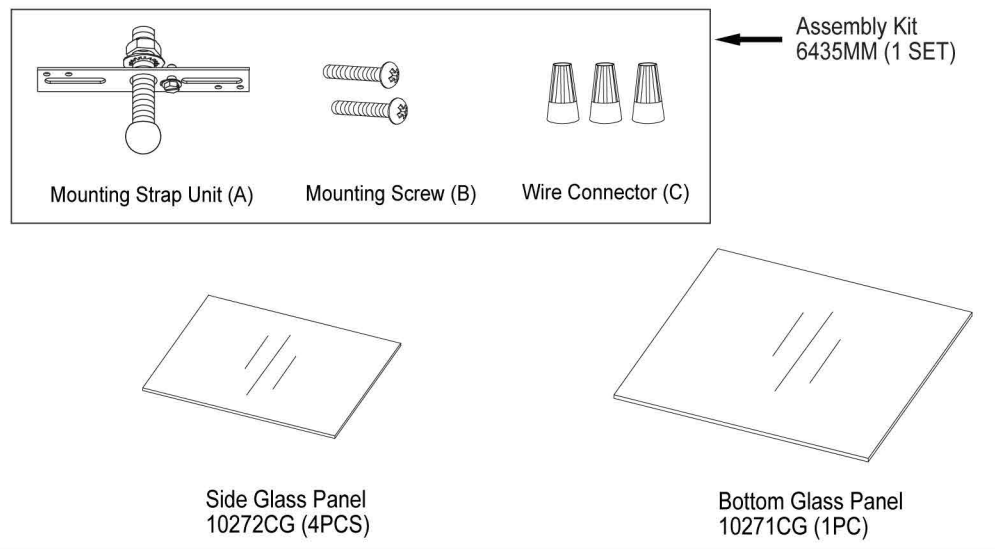
Carefully put all of the wires back into the outlet box.

4. Remove the finial from the mounting strap unit (A).
5. Attach the ceiling pan to the mounting strap unit (A) by inserting threaded pipe into the center hole the ceiling pan and secure it with the finial .
NOTE: Depth of threaded pipe may need to be adjusted to properly fit the finial.
6. Install the bulbs (not included). Check relamping label at socket area or packaging for maximum wattage allowed.
7. Place the bottom glass panel into the metal frame, then secure it by pressing the eight bottom clips. Place a side glass panel into the two bottom notches of the metal frame , secure it by pressing two clips on top of the side frame. Repeat with the other side glass panels.(See Fig 1)
8. Attach the metal frame to the ceiling pan by aligning two holes, then secure it with two set screws.

Turn on the power at fuse or circuit box.

The following parts are available for re-order if damaged or missing.

Spare Parts List:



A: 4-1/2"

B: 12"