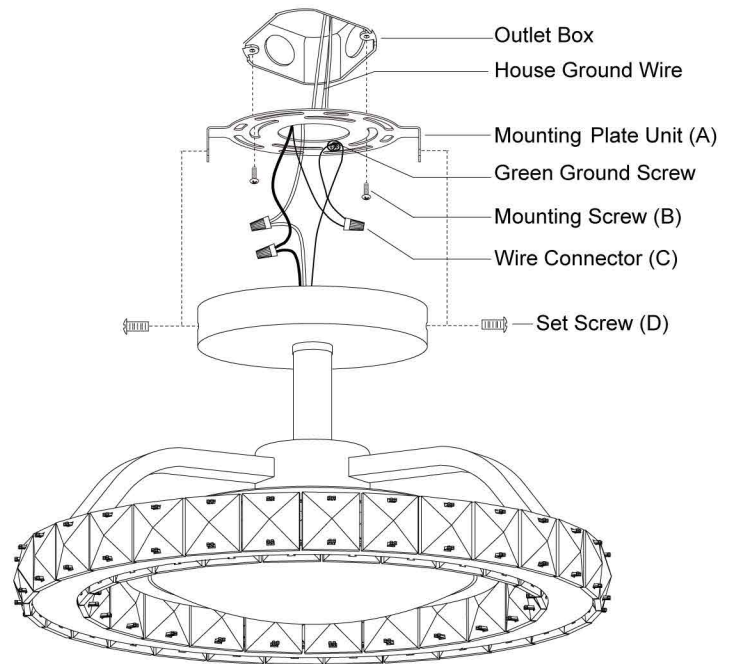
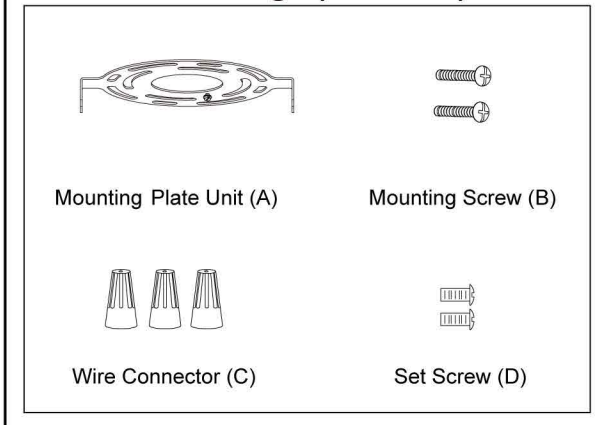


ASSEMBLY AND INSTALLATION INSTRUCTIONS

WARNING: TO AVOID RISK OF ELECTRICAL SHOCK, BE SURE TO SHUT OFF POWER WHILE INSTALLING OR SERVICING THIS FIXTURE.

NOTES: 1. Before installing, consult local electrical codes for wiring and grounding requirements.
2. READ AND SAVE THESE INSTRUCTIONS.

Hardware Package (included):



Installation Steps

Turn off the power at fuse or circuit box.

1. Attach mounting plate unit (A) to outlet box using two mounting screws (B).
2. Fasten the canopy to the mounting strap with two set screws (D).
3. Pull out the source wires from the outlet box. Make wire connections using wire connectors (C) as follows:
 - Connect the smooth-coated wire (marked) from the fixture to the black wire from the power source.
 - Connect the ribbed-coated wire (unmarked) from the fixture to the white wire from the power source.
 - Attach the fixture ground wire to the mounting plate unit (A) with the green ground screw, then connect it to the house ground wire with a wire connector (C).

Turn on the power at fuse or circuit box.

Note: It can use the wall switch to control the lighting status.

The light can be switched to full light, lighting the middle part or lighting the crystal part only by switch on and off everytime.

Dimming range: 100% full illumination to 10% of full illumination.

The following parts are available for re-order if damaged or missing.

Spare Parts List:



Mounting Plate Unit (A)



Mounting Screw (B)



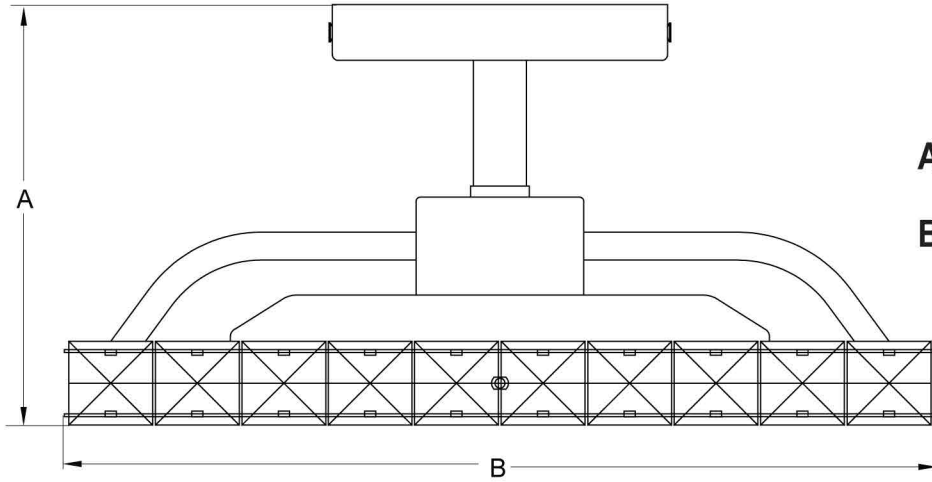
Wire Connector (C)



Set Screw (D)



Assembly Kit
6618MM (1 SET)



A: 6-1/4"

B: 12-1/4"