

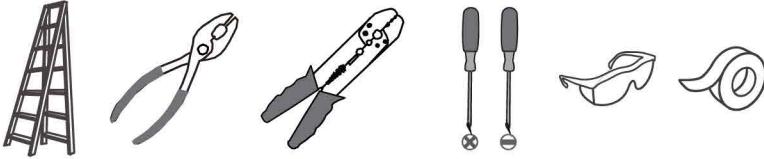
SAFETY INFORMATION

Please read and understand this entire manual before attempting to assemble, install or operate the product.

- WARNING**
- RISK OF ELECTRIC SHOCK - Before beginning installation, turn off electricity at the circuit breaker box or the main fuse box.
 - RISK OF FIRE - Use bulbs specified by the markings and/or labels on the fixture.

- CAUTION**
- For your safety, read instructions completely before beginning installation.
 - If in doubt about electrical installation, consult a licensed electrician.
 - Turn off electricity to fixture before replacing the bulb(s).

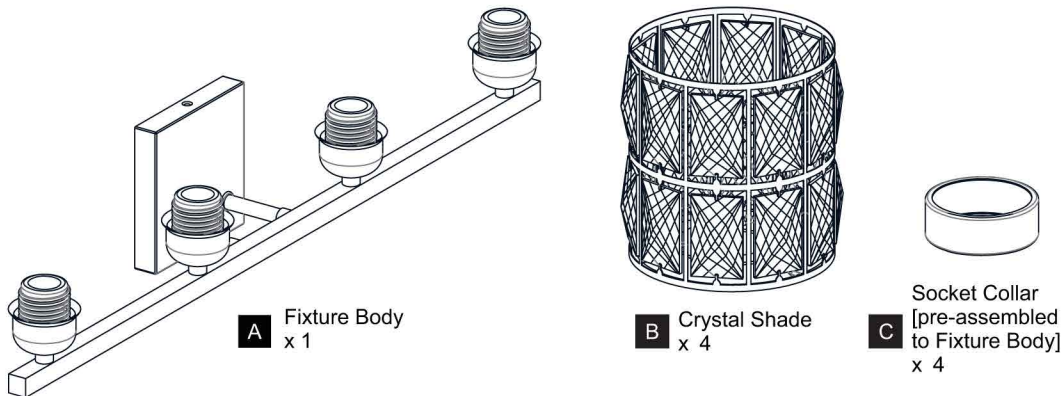
TOOLS REQUIRED



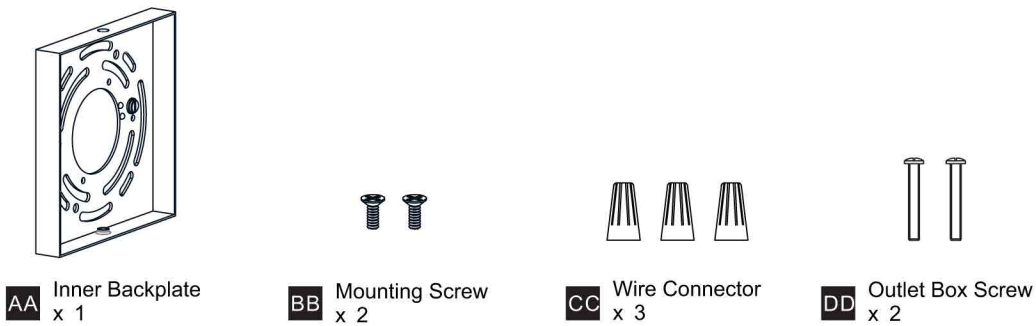
CARE AND MAINTENANCE

- Wipe clean using soft, dry cloth or static duster. Always avoid using harsh chemicals and abrasives to clean fixture as they may damage the finish.

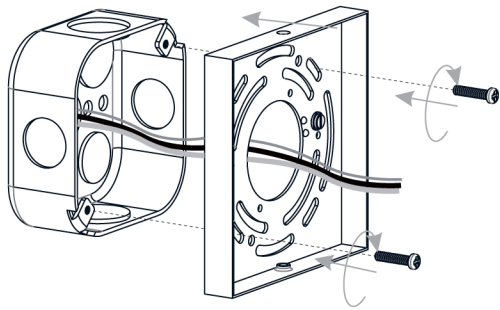
PACKAGE CONTENTS



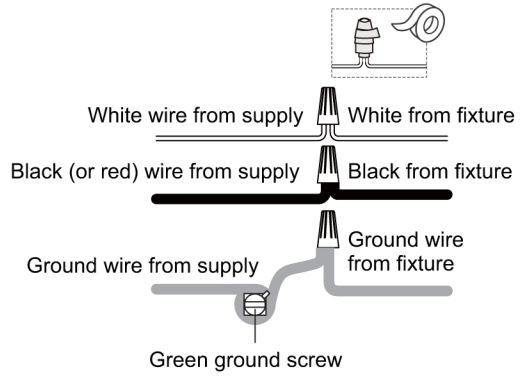
MOUNTING HARDWARE



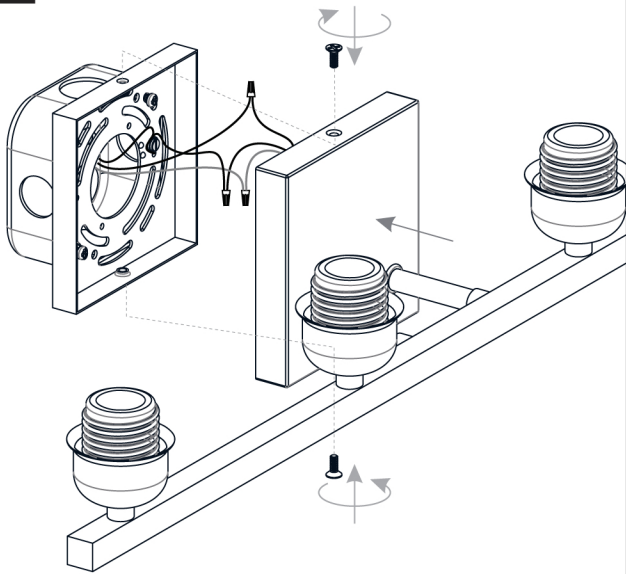
1 Install Inner Backplate



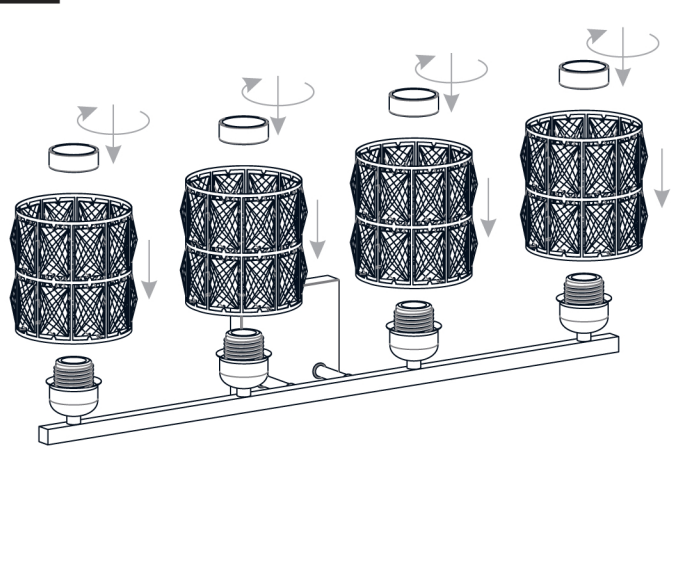
2 Wiring



3 Install Fixture Body



4 Install Crystal Shade



5 Install Bulbs

Install four correct bulbs referring to fixture markings and/or labels for maximum wattage.

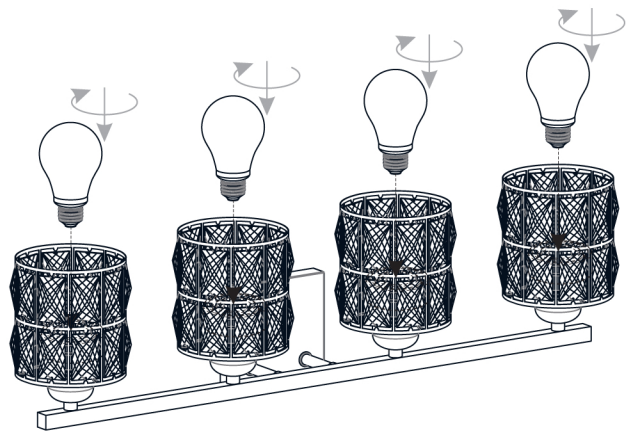
Recommended Bulb Type (not included):



BULB BASE TYPE
Medium (E26)



BULB TYPE
TYPE A



Your installation is now complete! Restore electricity and save this sheet for future reference.