



## INSTALLATION AND OPERATION INSTRUCTIONS

### Jacuzzi® Luxury Bath

14525 Monte Vista Avenue  
Chino, CA 91710  
1-800-288-4002  
[www.jacuzzi.com](http://www.jacuzzi.com)

**Contents**

Contents .....	2
Product Information .....	2
Important Safety Instructions.....	3
Inspection and Testing.....	4
Visual Inspection. ....	4
Bathtub Water and Operational Test.....	4
Framing and Support.....	5
Electrical Connections.....	6
Installation Procedures.....	6
Cleanup.....	9
General Operation Information.....	9
Whirlpool Control.....	10
RapidHeat™.....	10
Cleaning.....	10
Maintenance.....	11
Skirt Panel Installation.....	11
Troubleshooting Procedures.....	12
Authorized Service.....	13
Warranty.....	14

**Product Information****NOTE**

Save these instructions for future use. Use the form below to record your model and serial number for future reference.

Date Purchased \_\_\_\_\_

Purchased From \_\_\_\_\_

Installed By \_\_\_\_\_

Serial Number \_\_\_\_\_

Model \_\_\_\_\_

**Installer:** Leave the manual for the homeowner.

**Homeowner:** Read this manual and keep for future reference.

## Important Safety Instructions

This is a professional grade product. A working knowledge of construction techniques, plumbing and electrical installation according to codes are required for proper installation and user satisfaction. We recommend that a licensed contractor perform the installation of all Jacuzzi® Luxury Bath products. Our warranty does not cover improper installation related problems.

### READ AND FOLLOW ALL INSTRUCTIONS. SAVE THESE INSTRUCTIONS.

Use this unit only for its intended use as described in this manual. Do not use attachments not recommended by the manufacturer. Never drop or insert any object into any opening.

 **DANGER**

**RISK OF ACCIDENTAL INJURY OR DROWNING!** Do not permit children to use this unit unless they are closely supervised at all times. Do not use hydromassage bathtubs unless all suction guards are installed to prevent body and hair entrapment. Never operate the hydromassage bath if the suction cover is broken, damaged or missing. Do not operate this unit without the guard over the intake for the circulation pump (suction cover/strainer).

 **DANGER**

**RISK OF SEVERE INJURY FROM ELECTRIC SHOCK OR DEATH FROM ELECTROCUTION!** This unit must be connected only to a supply circuit that is protected by a 15 amp ground fault circuit interrupter (GFCI). Such a GFCI should be provided by the installer and should be tested on a routine basis. Follow the manufacturer's instructions when testing the GFCI. The GFCI should interrupt power. Push the reset button. Power should be restored. If the GFCI fails to operate in this manner, the GFCI is defective. If the GFCI interrupts power to the bathtub without the test button being pushed, a ground current is flowing, indicating a possibility of an electric shock. Do not use this hydromassage bathtub. Disconnect the hydromassage bathtub and have the problem corrected by a qualified service representative before using.

 **DANGER**

**RISK OF ELECTRIC SHOCK!** Do not permit electrical appliances (such as a hair dryer, lamp, telephone, radio or television) within 60" (1524mm) of this hydromassage bathtub. Connect only to a circuit protected by a ground fault circuit interrupter (GFCI). (For permanently connected units) A green colored terminal (or a wire connector) marked "G," "GR," "GROUND," or "GROUNDING" is provided within the terminal compartment. To reduce the risk of electric shock, connect the terminal or connector to the grounding terminal of your electric service or supply panel with a conductor equivalent in size to the circuit conductors supplying the equipment.

 **DANGER**

**PROLONGED IMMERSION IN HOT WATER MAY INDUCE HYPERTHERMIA!** Hyperthermia occurs when the internal temperature of the body reaches a level several degrees above the normal body temperature of 98.6°F (37°C). The symptoms of hyperthermia include an increase in the internal temperature of the body, dizziness, lethargy, drowsiness and fainting. The effects of hyperthermia include:

- A. Failure to perceive heat.
- B. Failure to recognize the need to exit the bath.
- C. Unawareness of impending hazard.
- D. Fetal damage in pregnant women.
- E. Physical inability to exit the bath.
- F. Unconsciousness resulting in danger of drowning.

 **DANGER**

This equipment is intended for indoor use only. Install the equipment in accordance with these instructions. Use supply wires that are suitable for 167°F (75°C), including the temperature rating of the supply conductors to be used. This unit should be electrically grounded and installed by a licensed contractor, electrician, and plumber. Building materials and wiring should be routed away from the motor/pump or blower or other heat producing components of this unit. A pressure wire connector is provided on the exterior of the motor/pump and heater to permit connection of an No. 8 AWG solid copper bonding conductor between this unit and all other electric equipment and exposed metal in the vicinity, as needed to comply with local requirements.

 **DANGER**

Risk of fetal injury. Pregnant or possibly pregnant women should consult a physician before using a hydromassage bathtub equipped with a heater

**Important Safety Instructions (Cont)**

- CAUTION** Keep body and hair a minimum of 6" (152mm) away from the suction fitting at all times when the hydromassage system is in operation. Hair longer than shoulder length should be secured close to the head.
- CAUTION** Do not immerse the control panel by overfilling the bath.
- CAUTION** To avoid injury, use care when entering and exiting the hydromassage bathtub.
- CAUTION** Do not use drugs or alcohol before or during the use of a hydromassage bathtub equipped with a heater. Possible drowning may occur.
- CAUTION** Do not use a hydromassage bathtub equipped with a heater immediately following strenuous exercise.
- CAUTION** Use this unit only for its intended use as described in this manual. Do not use attachments not recommended by the manufacturers. Do not tamper with user-operated controls or such devices.
- CAUTION** Water temperature in excess of 104°F (40°C) may be injurious to your health. Check and adjust water temperature before use.

**SAVE THESE INSTRUCTIONS.**

The Company has obtained applicable code (standards) listings generally available on a national basis for products of this type. It is the responsibility of the installer/owner to determine specific local code compliance prior to installation of the product. The Company makes no representation or warranty regarding, and will not be responsible for any code compliance. Product specifications are subject to change without notice.

**Inspection and Testing****Visual Inspection**

- ① Remove the bathtub from the shipping carton. Be careful not to scratch the surface of the bathtub on exposed staples. Remove the staples or fold them into the carton. Retain the carton until satisfactory inspection of the product has been made. Do not lift the bathtub by the plumbing at any time; handle by the shell only.
- ② Inspect the shell and bathtub components. Should inspection reveal any damage or defect in the finish or visible damage to any components, do not install the bathtub. Damage or defect to the finish claimed after the bathtub is installed is excluded from the warranty. Jacuzzi Luxury Bath's responsibility for shipping damage ceases upon delivery of the products in good order to the carrier.
- ③ Refer any claims for damage to the carrier. For definitions of warranty coverage and limitations, refer to the published warranty information packed with the product or in the back of this manual.

**Bathtub Water and Operational Test**

All bathtub units are factory tested for proper operation and watertight connections prior to shipping. However, the unit must be retested by the installer prior to installation. Jacuzzi Luxury Bath is not responsible for any defect that could have been discovered, repaired, or avoided by following this inspection and testing procedure:

- ① Place the bathtub on a level surface, near appropriate electrical supply, water supply, and water drainage. A driveway is a suitable choice.
- ② Cover the drain and overflow hole with tape or a stopper and fill the bathtub to the bottom of the overflow hole.
- ③ Allow bathtub to stand for 5 minutes.
- ④ Plug in motor/pump and turn unit on. Confirm that all features function as described in the Operation section of this manual. Do not install the bathtub if bathtub fails to operate as described.
- ⑤ Visually inspect all joints for leaks. Do not install the bathtub if leaks are detected.
- ⑥ Return bathtub to box or otherwise protect from damage until time of installation.

## Framing and Support

READ ALL INSTALLATION INSTRUCTIONS COMPLETELY. IMPROPER INSTALLATION WILL VOID THE WARRANTY.

### IMPORTANT

Make sure that walls and floors meet fire safety requirements of local building code and/or FHA/HUD Minimum Property Standards.

Observe all governing codes and ordinances.

- ① Proper installation is your responsibility. Have a qualified technician install this bath.
- ② Installation using a ground-fault circuit-interrupter (GFCI) is required.
- ③ It is the customer's responsibility:
  - To contact a qualified electrical installer.
  - To assure that electrical installation is adequate and in conformance with National Electrical Code (NEC).

A Technical Specifications Manual has been included with your bathtub. The Technical Specifications Manual will contain pertinent information regarding your Jacuzzi Luxury Bath product. Locate the Technical Specifications Manual at this time.

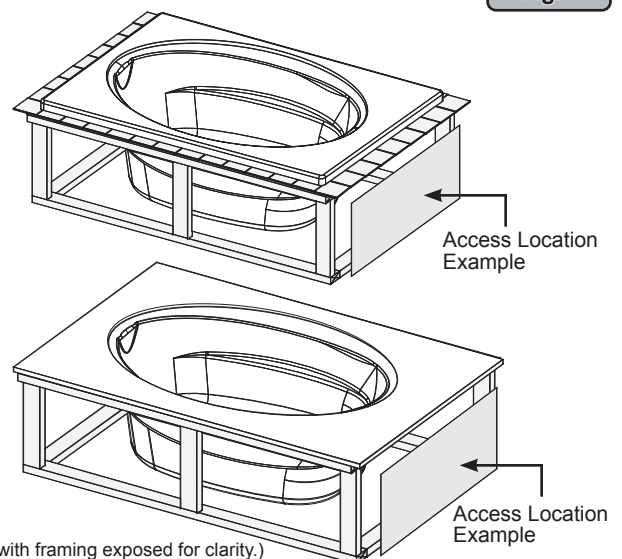
### NOTES

Finished alcove must have correct interior dimensions, as shown in the rough-in diagrams in the Technical Specifications Manual, to properly install unit. For three wall alcove installations, use an integral molded three-sided tiling flange bathtubs. Jacuzzi Luxury Bath does not recommend utilizing bathtubs without an integral tiling flange in an alcove installation where a shower head would be installed above the unit and utilized as a shower.

- In remodeling, if necessary, add studs at each end to provide a vertical nailing surface for the side nailing flanges of bath fixture product.
- To avoid obstructions during installation make sure that supply lines, spout pipe and valve plumbing do not project into alcove.
- Bathtubs require a 6" x 12" (150mm x 305mm) floor opening for the 1 ½" (38mm) drain, waste and overflow (DWO) kit.
- Be sure floor opening location matches bathtub fixture drain location.
- Use of casting plaster/plaster of paris (foundation material) is recommended in all commercial structures (i.e. hotels, motels, dormitories, health clubs, etc.).
- The unit must be supported from the bottom of the bathtub and not solely from the bathtub rim.
- Per UPC code, access must be provided to the pump/motor for your specific model (Figure 1). It is the responsibility of the installer, building contractor, or owner to provide access for service. Jacuzzi is not responsible for any costs relating to obtaining access for repair. The owner shall bear such costs and, if appropriate, must seek recovery from the installer. Primary and secondary service access locations are shown in the rough-in diagrams contained in the Technical Specifications Manual.
- Provide adequate ventilation for cooling and supply sufficient air for the pump/motor. Do not insulate around the equipment.

Access Locations

Fig. 1



(Illustrations above shown with framing exposed for clarity.)

## Framing and Support (Cont)

### Subfloor

- ① Prepare the subfloor for the drain and ensure that the area is level. The drain/overflow of the bathtub extends below the bottom of the bathtub. Identify the drawing in the Technical Specifications Manual that corresponds with your bathtub.
- ② Jacuzzi's Tru-Level™ base is a standard feature on all bathtubs. If the subfloor is level and a continuous surface, no other preparation is necessary. Proceed to the "Installation Procedures" section.
- ③ If the subfloor is not level, you must level the entire surface prior to installing the bathtub.
- ④ Ensure that the floor is level and can support a load of 50lbs. per square foot.
- ⑤ The bathtub must remain level in order for it to drain properly and must make contact with the leveling material.

## Electrical Connections

### **⚠ DANGER**

Risk of electric shock. Connect only to a circuit protected by a GFCI (Figure 2).

### **⚠ CAUTION**

Electrical outlet must be mounted 4" (101mm) above the floor line and 12" max (305mm) inside from the edge of the bathtub (Figure 2), or in accordance with local building and electrical codes.

Risk of component overheating. Do not use electric extension cord to power this unit. Operating the pump without enough water in the bathtub can cause permanent damage to the pump/motor.

If the GFCI unit indicates a malfunction, per manufacturer's instructions, turn OFF power and do not attempt to use the bathtub until the source of the problem has been identified and corrected.

### NOTES

When using electrical products, basic precautions should always be followed:

- Always follow local building and electrical codes. Grounding is required. The unit should be installed and grounded by a qualified electrician.
- A dedicated, 120VAC, 15 Amp GFCI-protected circuit is required for the pump/motor. If the bathtub was purchased with a heater installed, a separate 120VAC, 15 Amp GFCI-protected circuit is required. Bonding lugs are provided on the motor and heater to satisfy local electrical codes.

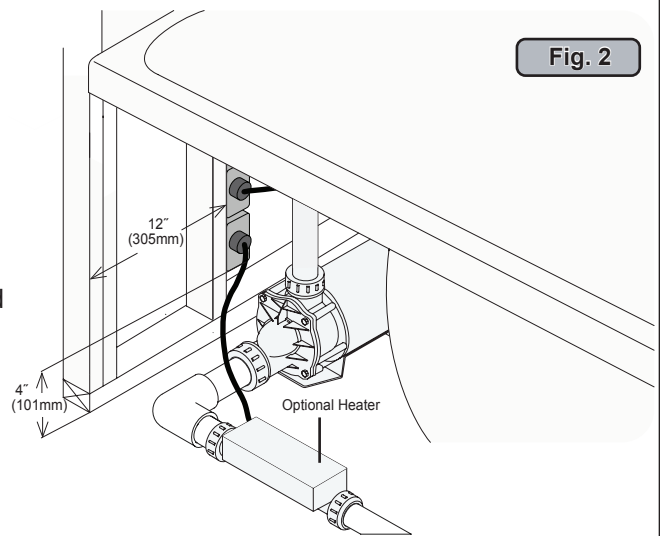


Fig. 2

## Installation Procedures

- ① Make sure framed-in alcove is of proper size per Jacuzzi dimensions, square, and plumb; check floor for levelness (Figure 3). Rough-in should be kept to a minimum until the unit is on the job site. Measurements may vary +0 or -3/8" from original specifications.
- ② Sufficient clearance must be provided for access to service connections (pump/motor, controls, heater plumbing and electrical hook ups).

### NOTE

The following steps (A, B and C) will direct you in how best to install the bathtub, depending on your installation environment.

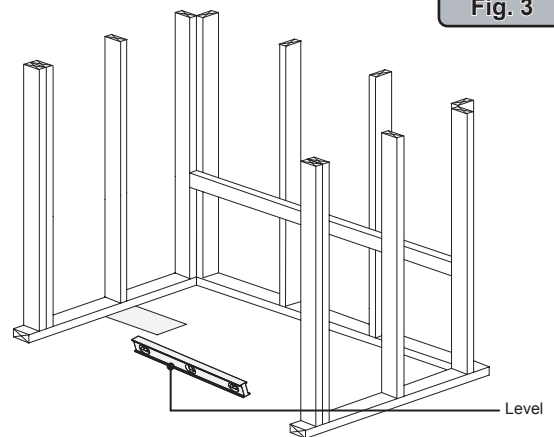


Fig. 3

## Installation Procedures (Cont)

### A. Drop In Installation

1. Prepare the cutout hole for the bathtub using the provided template (Figure 4).

#### NOTE

Please follow the instructions listed on the template (included) to correctly mark the cutout hole. The template may show guides for more than one bathtub, be certain to select the appropriate guide lines. If under mounting is an option, be careful to select the guide lines that apply to the installation that you are performing.

2. Place a piece of scrap lumber on each of the ends of the cutout – this will be used as a temporary support prior to lowering the bathtub fully into the opening (Figure 5).
3. Install the unit, inserting the motor/pump end first, lowering the bathtub into the opening as shown in the illustration.
4. The bathtub must be set level. To check, use a level on top of the ledges on both ends of tub and on top of threshold (Figure 6).

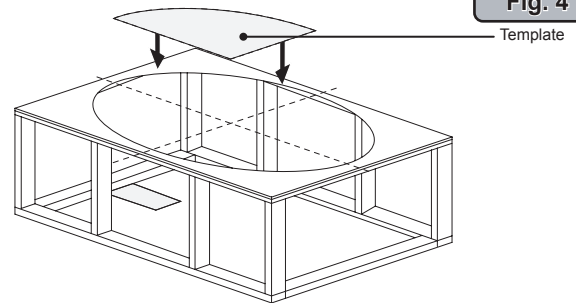


Fig. 4

Template

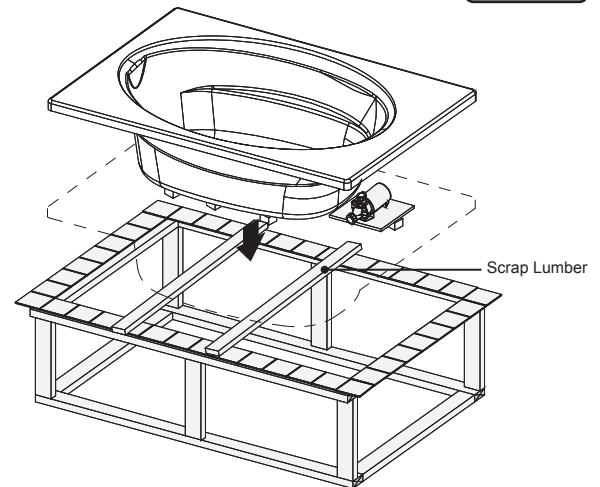


Fig. 5

Scrap Lumber

### B. 3-Wall Alcove Installation

1. Place the tub in the alcove with the front skirt firmly on the floor. The bathtub must be set level. To check, use a level on top of the ledges on both ends of tub and on top of dam (Figure 7).
2. After leveling tub, mark each stud (concrete or block wall) immediately above the back horizontal flange. Remove tub from alcove. Measure the distance between the top of the back horizontal flange and the bottom of the tub ledge approximately 1½" (40mm). Carefully mark this dimension on the back studs (or wall), below the first mark (Figure 7 inset).
3. Install a Ledger Strip: Jacuzzi mandates the use of supports under the rear ledges of bathtubs to prevent shifting. Use horizontal ledger strip along the entire rear ledge or "I", "T" supports in at least two places in vertical position. Nail a 1" x 3" x 60" (25mm x 75mm x 1525mm) ledger strip immediately below the lower marks made on framing (Figure 7 - inset).

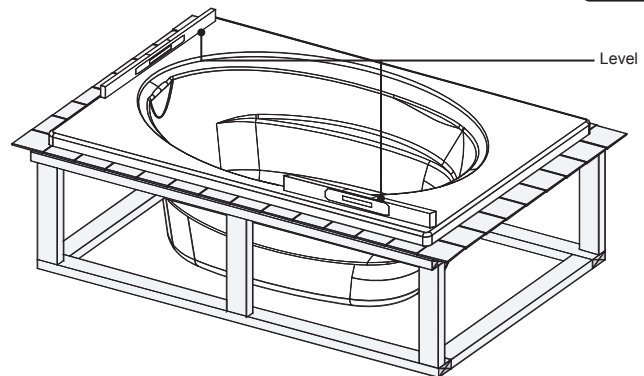


Fig. 6

Level

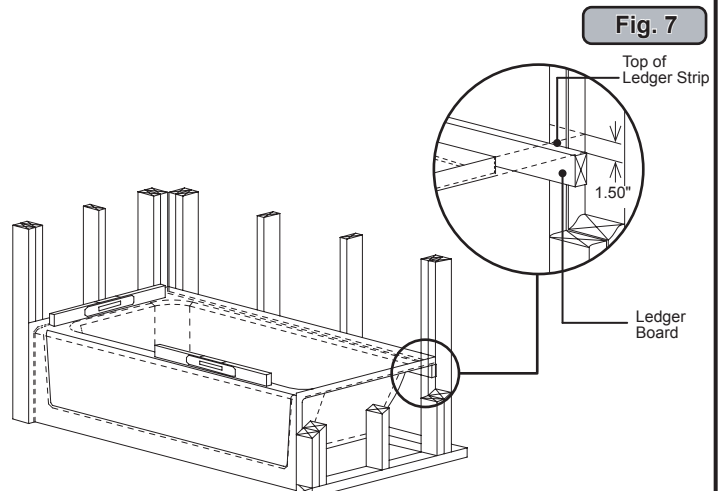


Fig. 7

Top of Ledger Strip

1.50"

Ledger Board

Installation Procedures (Cont)

**CAUTION**

Do not use an adhesive or adhesive sealant to secure the counter to the bathtub. If maintenance or remodeling is required, the counter may have to be removed. Adhesive will permanently bond the counter to the bathtub. Carefully position the deck/counter over the bathtub. Follow manufacturer's instructions to determine cure time.

**C. Undermount Installation**

1. Prepare the cutout hole for the deck/counter and bathtub using the provided template.

**NOTE**

Please follow the instructions listed on the template (included) to correctly mark the cutout hole. The template may show guides for more than one bathtub, be certain to select the appropriate guide lines. If under mounting is an option, be careful to select the guide lines that apply to the installation that you are performing.

Use the following steps for undermount as follows:

2. Position the bathtub template so that the desired undermount guidelines are aligned with the rim edge (Figure 4).
3. Attach the deck/support boards to the platform using appropriate hardware (Figure 8 - inset). The deck/counter support boards must be level with the rim of the bathtub.
4. Attach deck/counter to the support boards using suitable adhesive. Do not use adhesive to attach the deck/counter to the rim of the bathtub.
5. Clean any dirt or debris from the top of the bathtub rim. Secure the deck/counter to bathtub by applying a bead of silicone sealant around the entire rim of bathtub (Figure 9 - inset).

Apply a continuous bead of silicone sealant around the entire seam between the counter and the bathtub rim. Allow sealant to cure according to manufacturer's instructions.

- 3 In a bucket, mix foundation material. Place a large mound of plaster on the subfloor, in the approximate location of the tub bottom center. The mounds should be placed high enough so that when the tub is set, it will cause the plaster to displace and spread. Replace unit into alcove with front skirt firmly on floor. Make certain that back ledge of tub rests firmly on ledger supports. Level unit and shim ledger if necessary. The bathtub must be level.

**NOTE**

Bottom support materials: Casting plaster/plaster of paris (herein referred as foundation materials) are not necessary but its use is highly recommended for a firmer bottom support.

- 4 Fasteners: To wood framing – pre drill flanges with a 1/8" (5mm) carbide bit and fasten with #8 x 1 1/2" (38mm) self tapping sheet metal screws; to concrete/block walls use 1" (25mm) concrete nails with nailing tool or impact.

**NOTE**

Pre-drilling and nailing flanges is recommended to avoid cracking of the acrylic unit. Silicone the top of each fastener to insure water tightness.

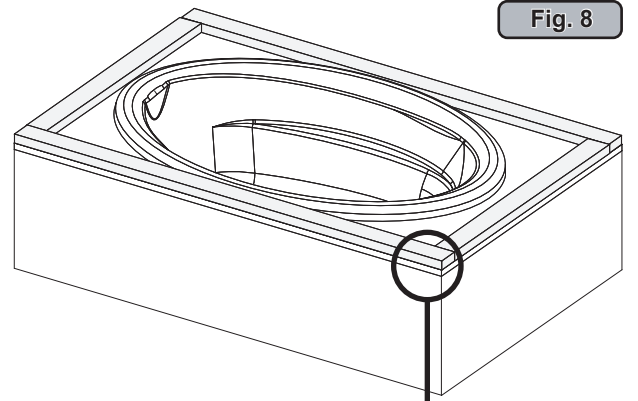


Fig. 8

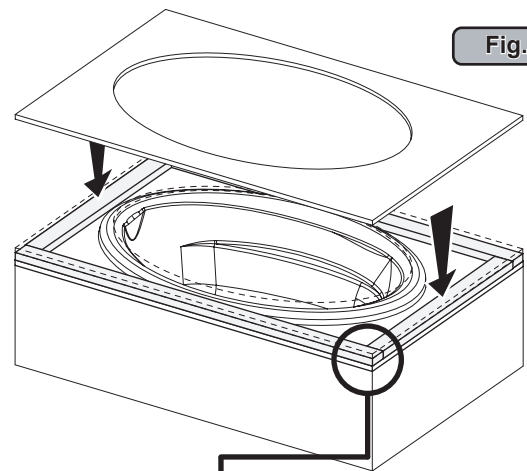
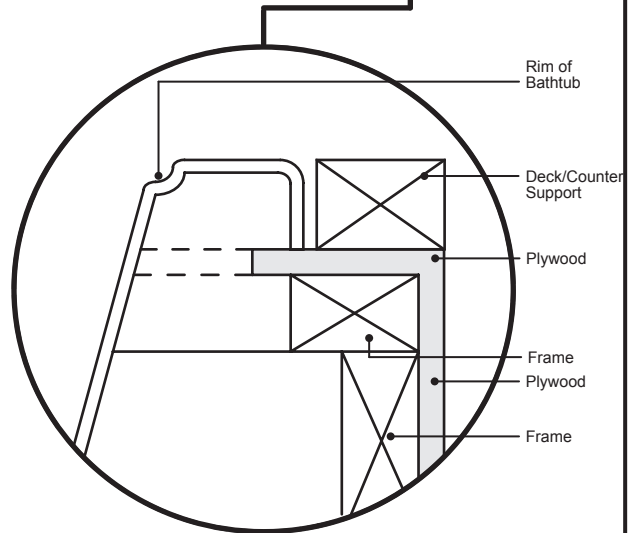
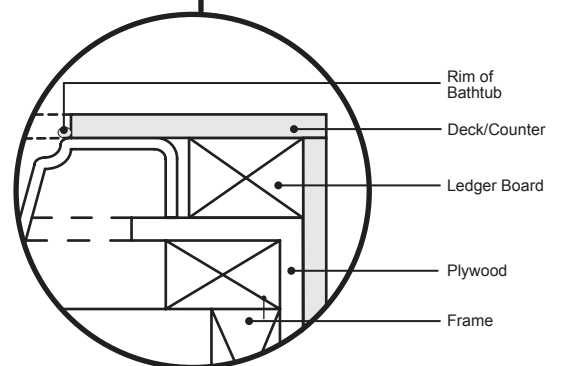


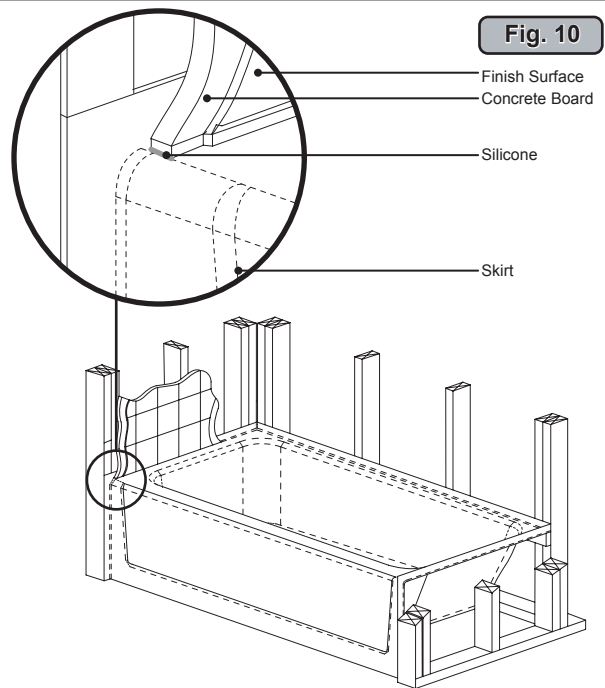
Fig. 9





## Installation Procedures (Cont)

- 6 Spot-fasten the two bottom corners and the two top corners of the vertical side nailing flange.
- 6 Nail/fasten at each stud through the topside flanges at each stud 16" (405mm) on center, working from both ends toward back center. Complete the fastening through vertical side flange, approximately 8" (205mm) on center.
- 7 When other than cementitious backer board is to be used, furring strips as thick as nailing flanges are recommended for installation on studs above the installed unit to assure walls will be flush. 100% silicone sealant with mildew resistant properties should be applied between the backer board and horizontal surface of unit (Figure 10). Then finished wall materials can be applied.
- 8 Finishing of other trades should be done in conformance with applicable codes and generally accepted building practices.
- 9 Use a hole saw (fine tooth or abrasive grit cutting edge) to drill holes for deck mounted tub fittings.
- 10 Connect flex water supply lines to faucet, connect bathtub drains and plug power cords into GFCI outlets.
- 11 Turn on the power supply to the dedicated GFCI protected circuits and check system operation.
- 12 Caulk around the perimeter of bathtub to seal the space between the rim and the finished deck.



## Cleanup

To avoid dulling and scratching the surface of the bathtub, never use abrasive cleaners. For most soiled surfaces, a mild liquid detergent and warm water is sufficient. The following is also recommended:

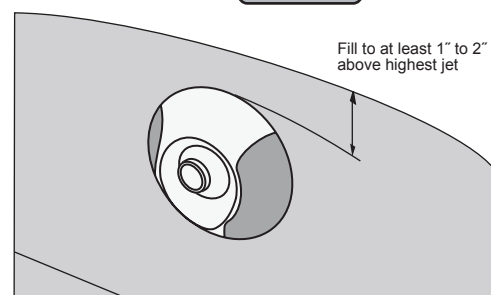
- Remove spilled plaster with a wood or plastic edge. Spots left by plaster or grout can be removed if lightly rubbed with detergent on a damp cloth or sponge. Do not use metal scrapers, wire brushes or other metal tools, as they will damage the bathtub's surface.
- Paint, tar, or other difficult stains can be removed with Fantastik® or soapy water.
- Minor scratches which do not penetrate the color finish can be removed by lightly sanding with 600-grit wet/dry sandpaper. You can restore the glossy finish to the acrylic surface of the bathtub with a special compound, Meguiar's #10 Mirror Glaze. If that is not available, use automotive rubbing compound followed by an application of automotive paste wax.
- Major scratches and gouges which penetrate the acrylic surface will require refinishing. Call Jacuzzi Luxury Bath to find a service agent in your area.

## General Operation Information

All bathtubs manufactured by Jacuzzi Luxury Bath are designed for "fill and drain," which means the bathtub should be drained after each use and filled with fresh water by the next bather. This is a health precaution, as these bathtubs are not designed to hold water continuously like pools or spas.

Close the drain and fill the bathtub until water is at least 1" to 2" (25mm to 51mm) above the highest jet (see water line indicated in the illustration - Figure 11). Do not turn on the whirlpool system at any time if the jets are not completely immersed in water. Running the whirlpool system when there is insufficient water in the bathtub could result in water spraying outside the bath area. Running the whirlpool system without water will damage the recirculating pump.

Fig. 11



### NOTE

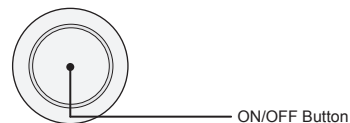
When exiting the bathtub, the water level will drop below the jets which could result in water being sprayed out of the unit. To prevent this, you must turn unit OFF before exiting bathtub.

**ON/OFF Button**

Fig. 12

Push down on the button to turn ON the whirlpool system.

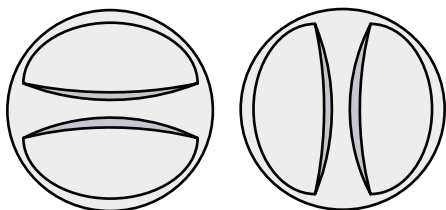
Push down on the button to turn OFF the whirlpool system.



**Whirlpool Control**

In the closed position, the jets massage with only water.  
In the open position, air mixes with water to create a deep, wide plume of massaging bubbles.

Fig. 13



OPEN Position

CLOSED Position

**Direction** (Figure 14A)

To change the direction of the water flow, swivel the jet nozzle to the desired angle.

**Water Force** (Figure 14B)

Increase the force of the flow by rotating the jet face to the left (counterclockwise).

Decrease the force of the flow by rotating the jet face to the right (clockwise).

**CAUTION**

Never run the whirlpool system with all the jets closed.

Fig. 14A

Direction

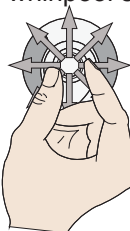
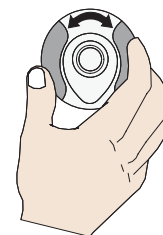


Fig. 14B

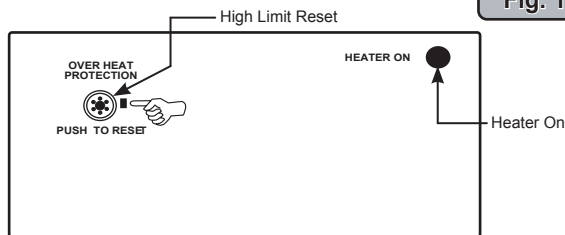
Water Force



**RapidHeat™**

The heater turns ON automatically any time whirlpool operation is active. Heater operation is not displayed on the control panel. There is a visible indicator light on the heater itself that signifies the heater is operating. The heater will help maintain the temperature of the water in the bathtub (Figure 15).

Fig. 15



**Vacuum Switch**

The heater is equipped with a preset vacuum switch which will not allow the heater to turn ON if the pump is not running and water is not flowing through the whirlpool system.

**High-Limit Switch**

The heater includes an exclusive High-Limit switch. This safety circuit will not false trip from hot tap water. It will only turn OFF the heater if the thermostat fails. To reset, press the button. If the high-limit trips frequently, please contact us at [www.jacuzzi.com](http://www.jacuzzi.com), or at 1-800-288-4002.

**Cleaning**

**CAUTION**

**Do not use oil or oil-based bathtub additives. Never use abrasive, or caustic, household cleaners on any Jacuzzi Luxury Bath product.**

If you want to use any kind of bathtub additive, use only a small amount of low-foaming powder or crystal substance; the whirlpool action intensifies the foaming properties of soaps.

The use of certain bathtub oils, bubble baths, and bathtub additives may increase the level of accumulations of bathtub residue in the whirlpool system and may cause false reading of the water level sensors. If excess accumulations persist, you should discontinue use of these products.

To remove accumulations of bathtub residue from the whirlpool system, it is recommended that a bathtub be cleaned regularly. For best results, however, we recommend that you clean your bathtub after each use using Systems Clean™, our exclusive two-part plumbing system cleaner made specifically for whirlpool bathtubs. Systems Clean™ is available through an authorized Jacuzzi Luxury Bath Distributor or by calling us direct at 1-800-288-4002 or may be purchased online at [www.jacuzzi.com](http://www.jacuzzi.com).

## Maintenance

To clean your bathtub, simply use a mild, nonabrasive liquid detergent solution. You can protect and restore the gloss to a dulled acrylic surface by applying Meguiar's #10 Mirror Glaze, a product specifically designed for use on acrylic finishes. If Meguiar's is not available, use a fine grade automotive rubbing compound followed by an application of clear automotive paste wax.

Minor scratches which do not penetrate the color finish can be removed by lightly sanding with 600-grit wet/dry sandpaper. Restore the gloss using Meguiar's Mirror Glaze or automotive paste wax. Major scratches and gouges which penetrate the acrylic surface will require refinishing. Call Jacuzzi Luxury Bath to find a service agent in your area.

## Suction Cover/Strainer Maintenance

Clean the suction cover/strainer of hair and debris when necessary (Figure 16).

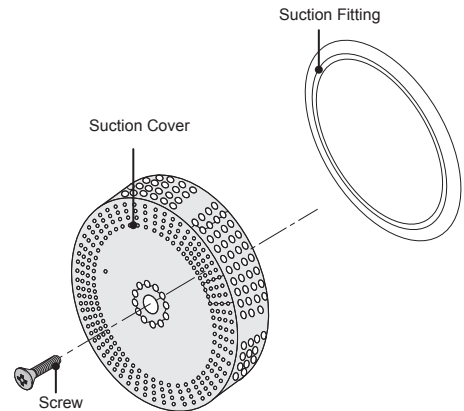
Fig. 16

- 1 Remove the center screw and detach the suction cover.
- 2 Clean the cover by backflushing debris from the holes.
- 3 Replace the suction cover immediately after cleaning.

### WARNING

Keep hair a minimum of 6 inches (152 mm) away from the suction fitting at all times when the whirlpool system is operating. Hair longer than shoulder length should be secured close to the head, or a bathing cap should be worn.

Do not operate the whirlpool system with the suction cover/strainer removed! It is a safety device and must always be in place on the suction fitting to minimize the potential hazard of hair and body entrapment.



## Skirt Panel Installation

### To remove the skirt panel -

Grasp an edge of the skirt panel and pull to separate.

### To reinstall the skirt panel (Figure 17) -

Align the six (6) posts on the panel with the six (6) receptor sockets on the tub and press into place.

### Skirt Panel Adjustment (Figure 18) -

Insert a standard screwdriver into the receptor socket, through the slot at the rear. Turn clockwise to tighten and counter-clockwise to loosen.

Fig. 17

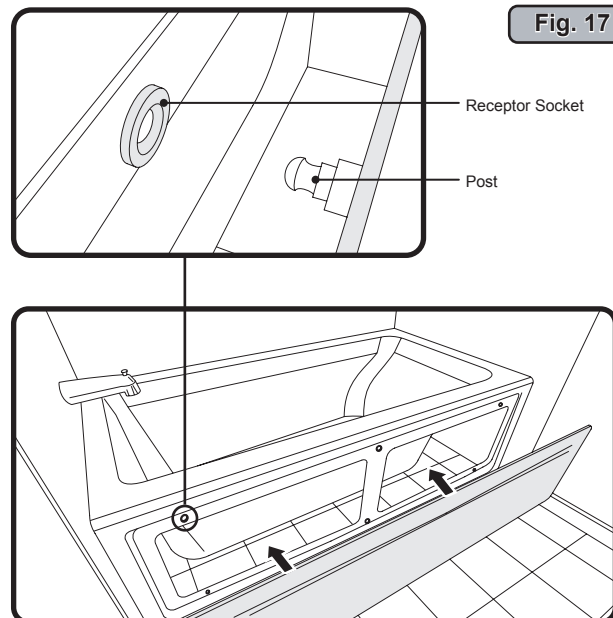
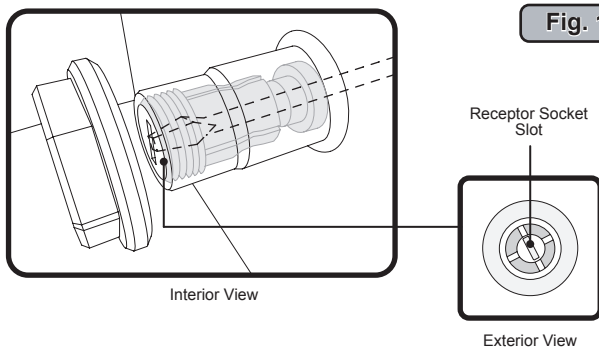


Fig. 18



## Bathtubs with Optional Skirt

If you are installing an optional skirt, please refer to the Skirt Installation Guide before proceeding any further.



English

### Troubleshooting Procedures

PROBLEM	PROBABLE CAUSES	REMEDY
Pump/motor does not start	No power to pump/motor	Reset GFCI
	Pump/motor not plugged in	Insert plug securely into outlet
	Pump/motor faulty	Contact Jacuzzi Luxury Bath @ 800-288-4002
Pump/motor operates but no fully adjustable jets are functioning	Jets are closed	Open jets by rotating counter-clockwise
	Suction cover/strainer may be clogged	With the motor turned OFF, remove the suction cover/strainer and remove any debris. Replace the suction cover before operating
Pump/motor operates but air is not injected into the water	Air valves are closed	Open air control valves
Water leakage from pump unions	Overtightened, O-ring may be pinched or improperly seated, undertightened	Loosen unions , check and reseal O-ring. If O-ring has been pinched out of shape, replace (refer to number below). When tightening union nuts, handtighten only.
Water not maintaining temperature	High Limit switch on heater has been tripped	Press Reset button on heater

**NOTES**

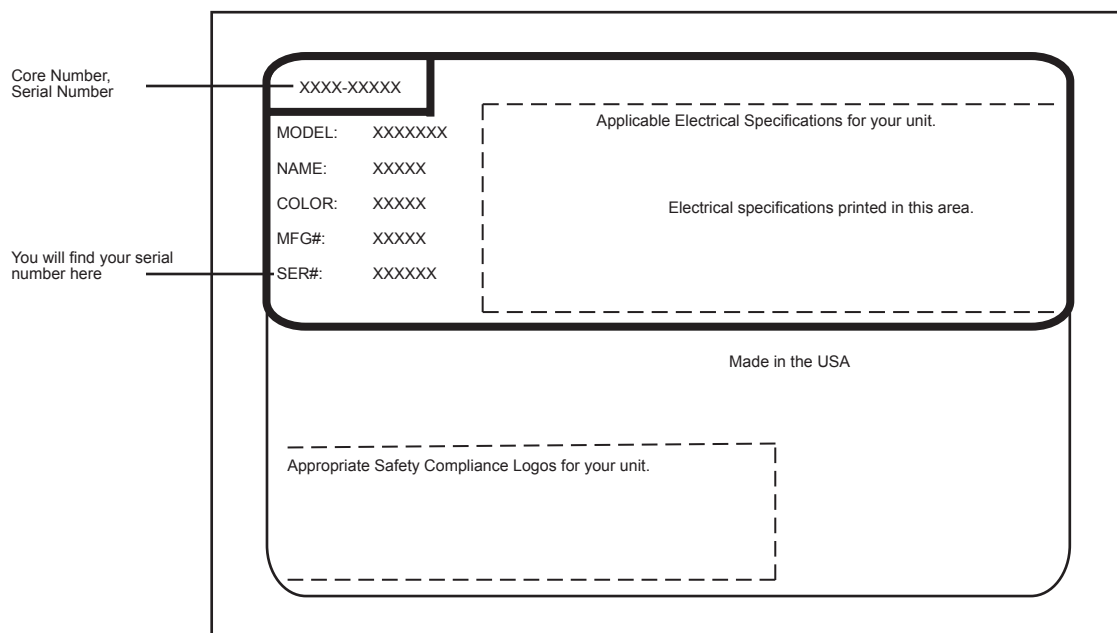
If the unit is within the warranty period, contact Jacuzzi Luxury Bath Service Support at 1-800-288-4002 with your bath's serial number before work is started. The serial number is located on the Specification/Serial Number Plate (the plate is located behind the equipment area).

## Authorized Service

If you need a referral for a service company near you, or need assistance with operation or maintenance-related questions, please call our Service Support Department at 1-800-288-4002. Visit our web site at <http://www.jacuzzi.com/> for products, services, and an online copy of these Installation and Operation Instructions.

When requesting service or technical assistance please have available both the model and serial number of your unit. This information can be obtained from the product registration card provided with your unit. If the card has been misplaced, this information can be obtained from the specification/serial number label on the unit itself. The label is located on the wall of the bathtub near the pump/motor.

### SPECIFICATION/SERIAL NUMBER LABEL



PRODUCT SPECIFICATIONS ARE SUBJECT TO CHANGE WITHOUT NOTICE.

USE TECHNICAL SPECIFICATIONS MANUAL SUPPLIED WITH PRODUCT.

Jacuzzi® Luxury Bath has obtained applicable code (standards) listings generally available on a national basis for products of this type. It is the responsibility of the installer/owner to determine specific local code compliance prior to installation of the product.

Jacuzzi® Luxury Bath makes no representation or warranty regarding, and will not be responsible for any code compliance.

Jacuzzi® Luxury Bath  
 14525 Monte Vista Avenue  
 Chino, California, 91710  
 1-800-288-4002  
[www.jacuzzi.com](http://www.jacuzzi.com)

# LIMITED WARRANTY ON THE JACUZZI LUXURY BATH SIGNATURE SERIES PRODUCT LINE

## WARRANTY COVERAGE

Jacuzzi Luxury Bath (the "Company") offers the following express limited warranty to the original purchaser of any Jacuzzi Luxury Bath product ("unit") who purchases the product for personal or single family use ("user"). The Company will repair or replace, at its option, the unit or its equipment in accordance with the following terms and conditions.

### ONE YEAR LIMITED WARRANTY ON BATHS

Our limited warranty on bath products is for one (1) year. Our warranty covers the unit and factory-installed components (e.g., pump, motor) against defects in material or workmanship. Warranty coverage begins on the date the unit was originally purchased by the user.

### NINETY DAY (PARTS ONLY) LIMITED WARRANTY ON OPTIONS AND ACCESSORIES

Our limited warranty on options and accessories manufactured by the Company is for ninety (90) days for parts only. Our warranty covers options and accessories manufactured by the Company (e.g., fill spout kits, trim kits, skirts) against defects in material or workmanship. Warranty coverage begins on the date the option or accessory was originally purchased by the user.

## WARRANTY LIMITATIONS

Our limited warranty does not cover defects, damage, or failure caused by the common carrier, installer, user, or other person, or resulting from, without limitation, any of the following: careless handling (lifting unit by plumbing, abrading finish, etc.); modification of any type for any reason (including modification to meet local codes); improper installation (including installation not in accordance with instructions and specifications provided with the unit); connections supplied by the installer of the equipment; improper voltage supply or unauthorized electrical modification; misuse; incorrect operation, or lack of proper routine maintenance; operation of the unit without specified minimum amount of water or at inappropriate water temperature; use of abrasive or improper cleaners; or acts of God, such as lightning, floods, earthquakes, etc.

In addition, THE COMPANY WILL NOT BE RESPONSIBLE FOR INCIDENTAL OR CONSEQUENTIAL DAMAGES or losses arising from any cause (e.g., water damage to carpet, ceiling, loss of use, etc.) including its own negligence; damages to, respecting, or resulting from: plated parts when pool and/or spa chemicals are used in the unit; optional bath equipment not manufactured by the Company but supplied by Dealer, installer or the Company; the unit's prior usage as an operational display; or defects that should have been discovered before installation.

This limited warranty does not include: labor, transportation, or other costs incurred in the removal and/or reinstallation of the original unit and/or installation of a replacement unit; any costs relating to obtaining access for repair; or loss of use damage, including loss of sales, profit or business advantage of any kind under any circumstances. Bath units are excluded from any warranty coverage if any addition, deletion, or modification of any kind whatsoever has been made to the unit (or to any component).

Warranty coverage is provided in the United States of America only.

## EXCLUSION OF IMPLIED WARRANTIES

IMPLIED WARRANTIES OF MERCHANTABILITY AND FITNESS FOR A PARTICULAR PURPOSE ARE DISCLAIMED TOGETHER OR TO THE FULL EXTENT ALLOWED BY LAW.

NOTICE: This warranty gives you specific legal rights, and you may also have other rights which vary from state to state. There are no warranties applicable to Jacuzzi Luxury Bath products except as expressly stated herein or as implied by applicable state and federal laws. The Company will not be responsible for any statements or representations made in any form that go beyond, are broader than or are inconsistent with any authorized literature or specifications furnished by the Company.

Some states do not allow limitations on how long an implied warranty lasts, or the exclusion or limitation of incidental or consequential damages, so the above limitations and exclusions may not apply to you.

## WARRANTY REGISTRATION

The attached pre-addressed Warranty Registration Card MUST be filled out by the purchaser within thirty (30) days from purchase and mailed to Jacuzzi Luxury Bath in order for this warranty to become effective.

You may also register your product at our website, [www.jacuzzi.com](http://www.jacuzzi.com). You will be prompted to enter your product Serial Number followed by your warranty registration information. Or you may also register by completing the registration below and mailing it to Jacuzzi at the address provided below.

The attached Warranty Registration MUST be filled out by the purchaser within thirty (30) days from purchase and received by Jacuzzi Luxury Bath in order for this warranty to become effective.

## RESPONSIBILITIES OF OTHERS

Inspecting the unit prior to installation is the responsibility of the installer or building contractor who acts on behalf of the User. They are responsible for ensuring the unit is free of defect or damage. Notices are placed on and in the unit and on the shipping carton advising the installer of this responsibility. In the event of a problem, the unit must not be installed. The Company is not responsible for failures or damage that could have been discovered, repaired, or avoided by proper inspection and testing (including proper water testing) prior to installation.

Damage occurring in transit is the responsibility of the carrier. The User or installer MUST open the crate and inspect the unit for damage when it is delivered. If damage is discovered, it must be reported immediately to the seller and the carrier in writing, and an inspection requested. Failure of the carrier to respond should be reported to the seller and the carrier. Your freight claims should be filed promptly thereafter.

Damage occurring to the unit during installation is the responsibility of the installer and/or building contractor and damage occurring thereafter is the responsibility of the user.

Failure of any optional equipment is the sole responsibility of the equipment manufacturer except as provided above and shall not extend to or apply to any replacement parts for the Options and Accessories. Any replacement parts shall be covered by the original equipment manufacturer.

The Distributor or Dealer is responsible for knowing local code requirements and notifying the installing contractor and/or User of these requirements at the time of purchase. The Company is not responsible for costs to modify any product to obtain any code approval, such as city, county, or state building codes in U.S.A. or municipal or provincial codes in Canada.

## WARRANTY SERVICE

For the customer's benefit, the Company maintains a list of independent service personnel to perform required warranty service repairs. Such firms are not agents or representatives of the Company and cannot bind the Company by words or conduct.

The Company will provide the warranty service described above when the following conditions have been met: the failure is of the nature or type covered by the warranty; the User has informed an Authorized Jacuzzi Luxury Bath Service Agent or Warranty Service Department Representative of the nature of the problem during the warranty period; conclusive evidence (e.g., proof of purchase or installation) is provided to the foregoing by the user proving that the failure occurred or was discovered within the warranty period; an authorized independent service person or Company representative has been permitted to inspect the unit during regular business hours within a reasonable time after the problem was reported by the User. In order to obtain warranty service, contact Jacuzzi Luxury Bath at:

jacuzzi.com  
or  
Warranty Service Department  
14525 Monte Vista Avenue  
Chino, California 91710  
Call: 1-(800) 288-4002

To obtain warranty replacement for factory-installed components for Company supplied options and accessories manufactured and supplied by the Company, call or write the above. Provide a description of the problem and proof of purchase. You will be instructed how to obtain replacements and where to return, at your expense, the failed component(s), option(s), or accessory(ies).

All replacement parts, equipment, and repairs shall assume the remaining warranty period of the part(s) replaced.

The Company's warranty obligation shall be discharged upon tender of replacement or repair. The customer's refusal to accept the tender terminates the Company's warranty obligation.



Jacuzzi® Luxury Bath  
14525 Monte Vista Avenue  
Chino, California 91710



WARRANTY REGISTRATION CARD

To complete your registration, visit our website at www.jacuzzi.com or fill out and mail this card to the address printed on the other side within thirty (30) days from date of purchase in order for this warranty to be come effective.



Purchaser's Name \_\_\_\_\_
Purchaser's Address \_\_\_\_\_
City \_\_\_\_\_ State \_\_ Zip \_\_\_\_\_
Home Phone: \_\_\_\_\_ Cell Phone: \_\_\_\_\_
Email: \_\_\_\_\_
Date of Purchase \_\_\_\_\_
Model Name \_\_\_\_\_
Serial Number \_\_\_\_\_
Dealer's Name \_\_\_\_\_
Dealer's Address \_\_\_\_\_

- 1. How did you first hear about this Jacuzzi® product?
2. Who first gave you specific information about this product (specifications, prices, etc.)?
3. What was the main reason for purchase?
4. Who finally decided which product you would buy?
5. Who installed?
6. What is the current market value of this property?
7. What is the age of the head of the household? Years
8. What other manufacturers did you consider?
9. How long did you shop before purchasing unit?
10. Approximately how long have you lived in this home?
11. Please indicate, approximately, the total annual income of your household.
12. Was your purchase process?
13. How technically aware were you of the patented Jacuzzi® jet system prior to your purchase?

Ninety-Day
Parts Only
Limited Warranty
On
Accessory(ies)





## INSTRUCTIONS D'INSTALLATION ET FONCTIONNEMENT

**Jacuzzi® Luxury Bath**

14525 Monte Vista Avenue  
Chino, CA 91710  
1-800-288-4002  
[www.jacuzzi.com](http://www.jacuzzi.com)

**Contenu**

Contenu.....	18
Renseignements sur le produit.....	18
Avertissements.....	19
Inspection et essai.....	20
Cadrage et soutien.....	21
Connexions électriques.....	22
Procédures d'installation.....	22
Nettoyage.....	25
Renseignements généraux sur l'utilisation.....	25
Commande du massage.....	26
RapidHeat™.....	26
Nettoyage et Additifs pour le bain.....	27
Entretien.....	27
Installation des Panneaux de Jupe.....	27
Procédures de dépannage.....	28
Service autorisé.....	29
Garantie.....	30

**Renseignements sur le produit**

**NOTE**

Conservez ces directives pour utilisation ultérieure. Utilisez le formulaire ci-dessous pour noter votre modèle et numéro de série pour consultation future.

Date d'achat \_\_\_\_\_

Acheté chez \_\_\_\_\_

Installé par \_\_\_\_\_

Numéro de série \_\_\_\_\_

Modèle \_\_\_\_\_

**Installateur** : laissez le manuel au propriétaire.

**Propriétaire** : lisez ce manuel et gardez-le pour consultation future.

## Avertissements

Il s'agit d'un produit de qualité professionnelle. Une connaissance pratique des techniques de construction, de plomberie et installation électrique conformément aux codes sont nécessaires pour l'installation et la satisfaction des utilisateurs. Nous recommandons qu'un entrepreneur agréé d'effectuer l'installation de tous les produits Jacuzzi® Prestige Bath. Notre garantie ne couvre pas les problèmes à une installation incorrecte.

### LIRE ET SUIVRE TOUTES LES INSTRUCTIONS. CONSERVER CES INSTRUCTIONS.

Utiliser cet appareil uniquement pour son usage prévu, comme décrit dans ce manuel. Ne pas utiliser d'accessoires non recommandés par le fabricant. Ne jamais laisser tomber ou insérer des objets dans les ouvertures.

#### DANGER

**RISQUE DE BLESSURES ACCIDENTELLES OU LA NOYADE!** Ne laissez pas les enfants utiliser cet appareil à moins qu'ils soient surveillés en tout temps. Ne pas utiliser une baignoire hydromassage à moins que tous les gardes d'aspiration sont installés pour empêcher le corps et le piégeage des cheveux. Ne jamais faire fonctionner le bain hydromassant, si le couvercle d'aspiration est brisé, endommagé ou manquant. Ne pas faire fonctionner cet appareil sans le garde sur la consommation pour la pompe de circulation (cover aspiration / filtre).

#### DANGER

**RISQUE DE BLESSURES GRAVES DE CHOC ÉLECTRIQUE OU DE MORT!** D'électrocution! Cet appareil doit être connecté uniquement à un circuit d'alimentation que est protégé par un disjoncteur différentiel 15 ampères (GFCI). Une telle fuite à la terre doit être prévu par l'installateur et doit être testé sur une base régulière. Suivez les instructions du fabricant Lors du test de fuite à la terre. Le disjoncteur différentiel doit couper le courant. Appuyez sur le bouton de réinitialisation. Power devrait être restauré. Si le GFCI ne fonctionne pas de cette manière, le disjoncteur est défectueux. Si le disjoncteur interrompt le pouvoir de la baignoire sans le bouton de test poussé, un court circuit, indiquant une possibilité d'un choc électrique. Ne pas utiliser cette baignoire à hydromassage. Débranchez la baignoire à hydromassage et le problème corrigé par un technicien qualifié avant d'utiliser.

#### DANGER

**IMMERSION PROLONGÉE EN EAU CHAUDE PEUT PROVOQUER HYPERTHERMIE!** L'hyperthermie survient lorsque la température interne du corps atteint un niveau de plusieurs degrés au-dessus de la température normale de 98,6 ° F (37 ° C). L' symptômes de l'hyperthermie comprennent une augmentation de la température interne du corps, des vertiges, léthargie, la somnolence et des évanouissements. Les effets de l'hyperthermie comprennent:

- A. Non perception de la chaleur.
- B. Le défaut de reconnaître la nécessité de sortir de la baignoire.
- C. La méconnaissance du danger imminent.
- D. dommages au fœtus chez les femmes enceintes.
- E. physique incapacité à sortir de la baignoire.
- Inconscience F. entraînant un risque de noyade.








#### DANGER

Cet équipement est prévu pour une utilisation en intérieur. Installer l'équipement en conformité avec ces instructions. Utilisez des câbles d'approvisionnement qui sont adaptés à 167 ° F (75 ° C), y compris la température Note des conducteurs d'alimentation à utiliser. Cet appareil doit être relié à la terre et installé par un entrepreneur agréé, électricien, plombier et. Les matériaux de construction et le câblage doivent être acheminés loin du moteur / pompe ou un ventilateur ou des composants autres sources de chaleur de cet appareil. Une pression connecteur du câble est fourni à l'extérieur du moteur / pompe et radiateur pour permettre le raccordement de une n ° 8 AWG conducteur solide liaison cuivre entre cet appareil et tous les autres équipements électriques et parties métalliques dans les environs, comme nécessaires pour se conformer aux exigences locales.

#### DANGER

Risque de blessure fœtale. Les femmes enceintes ou possiblement enceintes doivent consulter un médecin avant l'aide d'une baignoire à hydromassage équipée d'un chauffe.

**Avertissements (suite)**

-  **ATTENTION** Garder le corps et les cheveux un minimum de 6 " (152 mm) de distance du raccord d'aspiration à tous les moments où le système d'hydromassage est en marche. La longueur des cheveux plus long que l'épaule doit être assurée près de la tête.
-  **ATTENTION** Ne pas immerger le panneau de contrôle par débordement du bain.
-  **ATTENTION** Pour éviter les blessures, l'utilisation des soins lors de l'entrée et la sortie de la baignoire hydromassage.
-  **ATTENTION** Ne pas utiliser de médicaments ou d'alcool avant ou pendant l'utilisation d'une baignoire à hydromassage équipée avec un appareil de chauffage. Noyade peut se produire.
-  **ATTENTION** Ne pas utiliser une baignoire à hydromassage équipée d'un chauffe immédiatement après pénibles l'exercice.
-  **ATTENTION** Utiliser cet appareil uniquement pour son usage prévu, comme décrit dans ce manuel. Ne pas utiliser d'accessoires non recommandées par les fabricants. Ne pas jouer avec les commandes utilisateur exploités ou telle dispositifs.
-  **ATTENTION** Température de l'eau au-delà de 104 ° F (40 ° C) peut être préjudiciable à votre santé. Vérifier et régler la température de l'eau avant utilisation.

**CONSERVER CES INSTRUCTIONS.**

La Société a obtenu le code applicable (normes) généralement disponibles sur une base nationale pour les produits de ce type. Il est de la responsabilité de l'installateur / propriétaire de déterminer la conformité au code local avant l'installation du produit. La Société ne fait aucune représentation ou garantie quant à, et ne sera pas responsable de tout respect du code. Les spécifications des produits sont sujets à changement sans préavis.

**Inspection et essai****Inspection visuelle**

- ① Retirez la baignoire de la boîte d'expédition. Faites attention à ne pas égratigner la surface de la baignoire sur les agrafes exposées. Retirez les agrafes ou pliez-les sur la boîte. Conservez la boîte jusqu'à ce que vous ayez effectué une inspection satisfaisante du produit. Ne soulevez jamais la baignoire par la plomberie; manipulez-la par la coquille seulement.
- ② Examinez la coquille et les composants de la baignoire. Si l'inspection révèle des dommages ou des défauts dans le fini ou des dommages visibles à l'un ou l'autre des composants, n'installez pas la baignoire. Les dommages ou les défauts au fini réclamés après l'installation de la baignoire sont exclus de la garantie. La responsabilité de Jacuzzi Luxury Bath quant aux dommages causés par l'expédition prend fin au moment de la livraison au transporteur de produits en bon état.
- ③ Communiquez avec le transporteur pour toute réclamation pour des dommages. Pour obtenir des détails sur la couverture et les limites de la garantie, reportez-vous aux renseignements sur la garantie publiés et emballés avec le produit ou à ceux qui se trouvent à la fin de ce manuel.

**Essai d'eau et de fonctionnement de la baignoire**

L'unité doit être testée par l'installateur avant l'installation.

- ① Placez la baignoire sur une surface de niveau près d'une l'alimentation électrique appropriée, d'une alimentation en eau et d'une évacuation d'eau. Une voie d'accès pour autos est un bon endroit.
- ② Scellez le trou d'évacuation et de trop-plein avec du ruban ou un bouchon et remplissez la baignoire jusqu'à la partie inférieure du trou de trop-plein.
- ③ Laissez la baignoire reposer pendant cinq minutes.
- ④ Branchez le bloc pompe/moteur et mettez l'unité en marche. Confirmez que toutes les caractéristiques fonctionnent selon leur description dans la section Utilisation de ce manuel. N'installez pas la baignoire si elle ne fonctionne pas correctement.
- ⑤ Examinez tous les joints pour vous assurer qu'ils ne fuient pas. N'installez pas la baignoire si vous découvrez des fuites.
- ⑥ Remettez la baignoire dans la boîte ou protégez-la des dommages jusqu'au moment de l'installation.

## Cadrage et soutien

LIRE TOUTES LES INSTRUCTIONS INSTALLATION COMPLÈTEMENT. INSTALLATION ANNULE LA GARANTIE.

### IMPORTANT

Assurez-vous que les murs et les planchers de répondre aux exigences de sécurité incendie du code du bâtiment local et / ou FHA / HUD normes minimales de propriété.

Respectez tous les codes et ordonnances

- ① Une installation correcte est de votre responsabilité. Demandez à un technicien qualifié d'installer ce bain.
- ② Installation en utilisant un circuit de fuite à la terre-terre (GFCI) est nécessaire.
- ③ Il est de la responsabilité du client:
  - Pour contacter un électricien qualifié.
  - Pour assurer que l'installation électrique est adéquate et en conformité avec le National Electrical Code (NEC).

A Spécifications techniques Manuel a été inclus dans votre baignoire. Les spécifications techniques manuel contiendra des informations pertinentes concernant votre produit jacuzzi de luxe. Localiser les spécifications techniques Manuel en ce moment

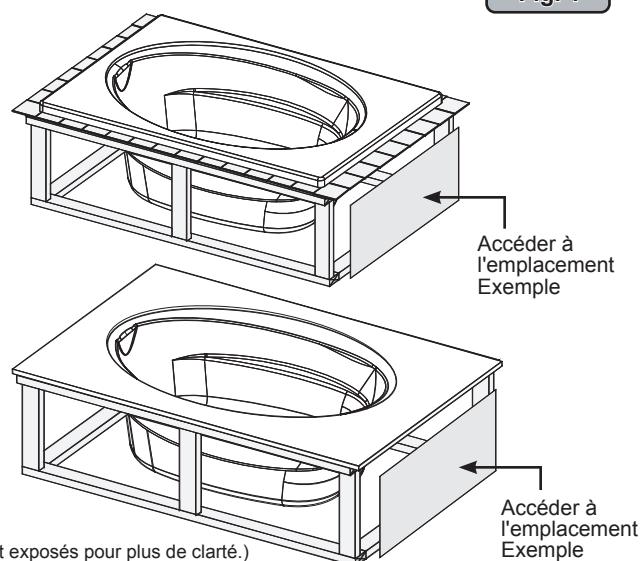
### NOTES

Alcôve finale doit avoir bonne dimensions intérieures, comme indiqué à l'état brut dans des diagrammes dans les spécifications techniques du Manuel, pour bien installer l'appareil. Pendant trois installations murales alcôve, utilisez une intégrale moulée à trois faces baignoires bride de carrelage. De bain de luxe jacuzzi ne recommande pas l'utilisation de baignoires sans bride de carrelage intégrée dans une alcôve où une pomme de douche serait installé au-dessus de l'unité et utilisé comme une douche.

- En rénovation, si nécessaire, ajouter des boutons à chaque extrémité pour fournir une surface de clouage vertical pour le côté clouer brides de produits pour le bain lumineaire.
- Pour éviter les obstacles lors de l'installation assurez-vous que les lignes d'alimentation, tuyau du bec et de la plomberie valve ne se projettent pas dans son alcôve.
- Baignoires besoin d'un 6 "x 12" (150mm x 305mm) ouverture dans le plancher pour les 1 ½ "(38mm) d'évacuation et de trop-plein (OS) kit.
- Assurez-vous que l'emplacement ouverture dans le plancher correspond à l'emplacement drain de la baignoire appareil.
- Utilisez de plâtre de moulage / plâtre de Paris (matériel de base) est recommandé dans toutes les structures commerciales (hôtels, motels, les dortoirs, les clubs de santé, etc.)
- L'unité doit être supporté par le fond de la baignoire et pas uniquement de rebord de la baignoire.
- Par code UPC, l'accès doit être fourni à la pompe / moteur de votre modèle (Figure 1). Il est le responsabilité de l'installateur, entrepreneur en bâtiment, ou propriétaire de fournir un accès au service. Jacuzzi n'est pas responsable des coûts relatifs à l'obtention de l'accès des réparation. Le propriétaire doit supporter de tels frais et, le cas échéant, doivent chercher à recouvrer auprès de l'installateur. Primaire et secondaire des endroits d'accès au service sont montré à l'état brut en schémas figurant dans les Spécifications techniques Manuel.
- Assurer une ventilation adéquate pour le refroidissement et l'approvisionnement suffisamment d'air pour la pompe / moteur. Ne pas isoler autour l'équipement.

#### Lieux d'accès

Fig. 1



(illustrations ci-dessus montre avec l'encadrement exposés pour plus de clarté.)

## Sous-plancher

- ① Préparer le plancher pour le drain et veiller à ce que la zone est de niveau. Le drain / trop-plein de la baignoire s'étend sous le fond de la baignoire. Identifier le dessin dans les spécifications techniques du manuel qui correspond avec votre baignoire.
- ② Jacuzzi Tru-Level™ de base est une fonction standard sur toutes les baignoires. Si le plancher est de niveau et une surface continue, aucune autre préparation n'est nécessaire. Passez à la "Procédure d'installation" de l'article.
- ③ Si le plancher n'est pas de niveau, vous devez niveau toute la surface avant d'installer la baignoire.
- ④ Veiller à ce que le sol est plat et peut supporter une charge de £ 50. par pied carré.
- ⑤ La baignoire doit rester niveau pour qu'il puisse s'évacuer correctement et doit prendre contact avec le matériel de mise à niveau.

## Connexions électriques

### ⚠ DANGER

Risque de choc électrique. Connecter uniquement à un circuit protégé par un disjoncteur différentiel (Figure 2).

### ⚠ ATTENTION

Prise électrique doit être montée 4 " (101 mm) au-dessus du niveau du plancher et 12 "max (305mm) à l'intérieur du bord de la baignoire (Figure 2), ou conformément aux codes de construction locaux et électriques.

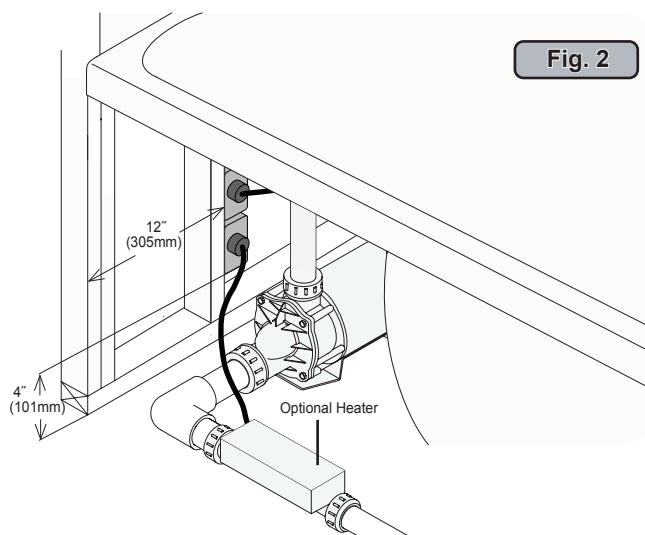
Risque de surchauffe des composants. Ne pas utiliser de rallonge électrique pour alimenter cet appareil. Utilisation de la pompe, sans assez d'eau dans la baignoire peut causer des dommages permanents à la pompe / moteur.

Si l'appareil GFCI indique un mauvais fonctionnement, selon les instructions du fabricant, Couper le courant et ne pas tenter d'utiliser la baignoire jusqu'à ce que la source du problème a été identifié et corrigé.

### NOTES

Lorsque vous utilisez des produits électriques, des précautions de base devraient toujours être suivies:

- Toujours suivre les codes de construction locaux et électriques. La terre est nécessaire. L'appareil doit être installé et mis à la terre par un électricien qualifié.
- Un personnel dévoué, 120VAC, circuit de 15 Amp GFCI protégée est nécessaire pour la pompe / moteur. Si la baignoire a été acheté avec un appareil de chauffage installé, une distincts 120VAC, circuit de 15 A protégée par GFCI est requise. Pattes de liaison sont prévus sur le moteur chauffe et de satisfaire les codes électriques locaux.

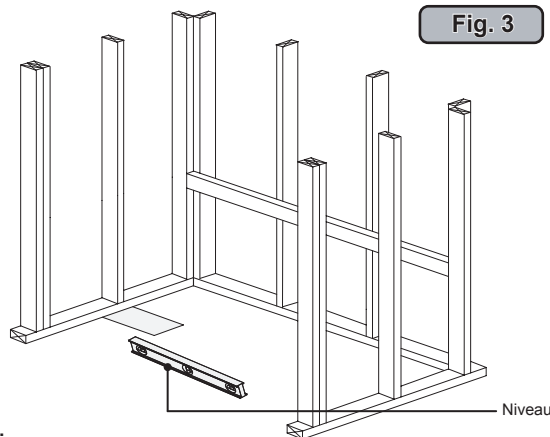


## Procédures d'installation

- ① Assurez-vous encadrés dans une alcôve est de taille appropriée pour dimensions Jacuzzi, carrés, et d'aplomb; étage vérifier elle est de niveau (Figure 3). Rough-in doit être maintenue à un minimum jusqu'à ce que l'appareil est sur le chantier. Les mesures peuvent varier 0 ou - 3/8 "de l'original spécifications.
- ② Un dégagement suffisant doit être prévu pour l'accès au service de connexions (pompe / moteur, les contrôles, plomberie chauffage et de branchements électriques).

### NOTE

Les étapes suivantes (A, B et C), vous accédez à la meilleure façon d'installer la baignoire, en fonction de votre environnement d'installation.



## Procédures d'installation (suite)

### A. Installation par le dessus

1. Préparer le trou de découpe pour la baignoire à l'aide le modèle fourni (Figure 4)

#### NOTE

S'il vous plaît suivez les instructions figurant sur l' gabarit (inclus) pour bien marquer la découpe trou. Le modèle peut montrer guides pour plus d'une baignoire, soyez certain de sélectionner le lignes guide approprié. Si, en vertu de montage est un option, veuillez à sélectionner les lignes de guidage qui s'appliquent à l'installation que vous effectuez.

2. Placer un morceau de bois de rebut sur chacun des extrémités de la découpe - il sera utilisé comme un soutien temporaire avant d'abaisser la baignoire pleinement dans l'ouverture (Figure 5).
3. Installez l'appareil, insérer le moteur / pompe à la fin première, l'abaissement de la baignoire dans l'ouverture indiqué dans l'illustration.
4. La baignoire doit être de niveau. Pour vérifier, utilisez un niveau au-dessus des rebords sur les deux extrémités de la baignoire et au-dessus du seuil (Figure 6).

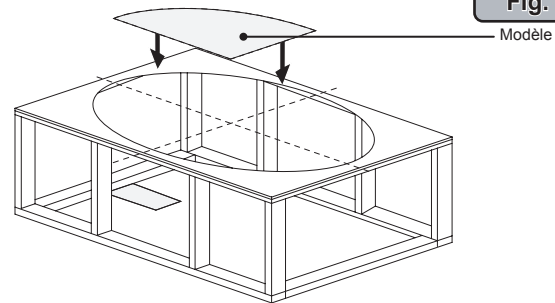


Fig. 4

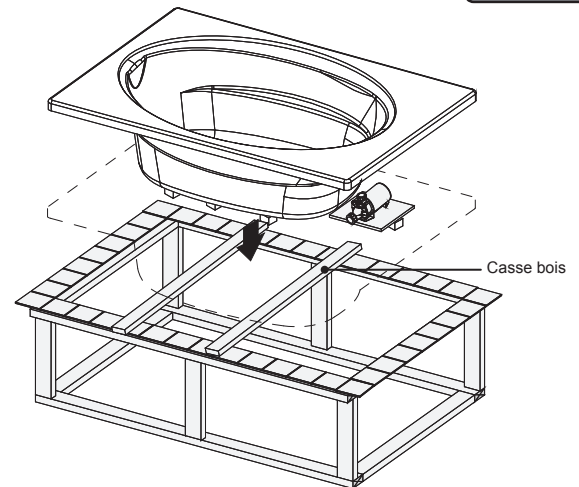


Fig. 5

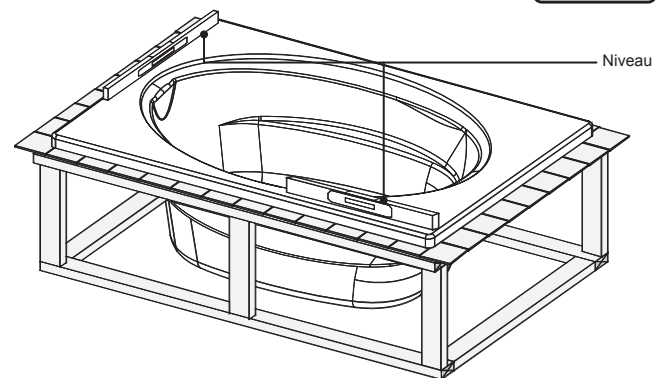


Fig. 6

### B. Installation dans une alcôve à trois murs

1. Placer la baignoire dans la cabine avec la jupe avant fermement sur le plancher. La baignoire doit être réglé niveau. Pour le vérifier, utiliser un niveau au-dessus des rebords sur les deux extrémités de la baignoire et au-dessus du barrage (Figure 7).
2. Après une stabilisation baignoire, marque chaque plot (béton ou mur en blocs) immédiatement au-dessus du dos aile horizontale. Retirer du bain alcôve. Mesurer la distance entre le haut de la Retour aile horizontale et le bas de la baignoire rebord d'environ 1 1/2 "(40mm). Marquez soigneusement cette dimension à l'arrière plots (ou mur), ci-dessous la première marque (Figure 7 encadré).
3. Installez une bande de Ledger: le jacuzzi mandats utilisation de supports sous les saillies arrière de baignoires pour éviter tout déplacement. Utilisez horizontale lambourde le long du rebord arrière complet ou « l », "T" soutien dans au moins deux endroits à la verticale position. Ongles de 1 "x 3" x 60 "(25mm x 75mm x 1525mm lambourde) immédiatement au-dessus de la des notes inférieures fait sur le cadrage (Figure 7 - encadré).

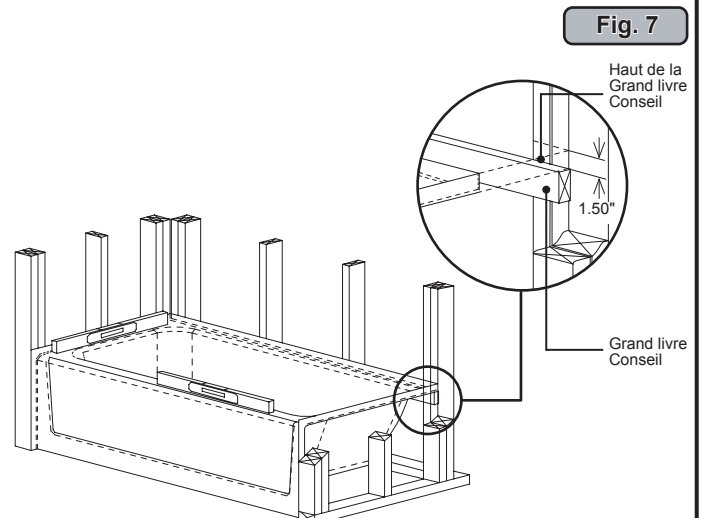


Fig. 7

## Procédures d'installation (suite)

**⚠ ATTENTION**

Ne pas utiliser un scellant adhésif ou de colle pour fixer le à l'encontre de la baignoire. Si l'entretien ou la rénovation est nécessaire, le compteur peut être enlevé. L'adhésif lier de manière permanente le compteur de la baignoire. Soigneusement la position de la plate-forme / contre-dessus de la baignoire. Suivre les instructions du fabricant pour déterminer le temps de séchage.

**C. Installation en dessous**

1. Préparer le trou de découpe pour le pont / compteur et baignoire à l'aide du modèle fourni.

**NOTE**

S'il vous plaît suivez les instructions figurant sur le gabarit (inclus) à marquer correctement le trou de découpe. Le modèle peut montrer guides pour plus d'une baignoire, soyez certain de sélectionner le lignes guide approprié. Si, en vertu de montage est une option, être Veillez à sélectionner les lignes guide qui s'appliquent à l'installation que vous effectuez.

Utilisez les étapes suivantes pour undermount comme suit:

2. Positionner le gabarit de la baignoire de sorte que le désiré lignes directrices undermount sont alignés sur le rebord de la (Figure 4).
3. Fixez le pont conseils / soutien à la plate-forme à l'aide matériel approprié (Figure 8 - encadré). L' pont / planches de support compteur doit être au niveau de la jante de la baignoire.
4. Fixez le pont / à l'encontre des conseils de soutien à l'aide adhésif approprié. Ne pas utiliser de colle pour fixer les pont / à l'encontre de la jante de la baignoire.
5. Nettoyer toute saleté ou les débris de la partie supérieure de la baignoire jante. Fixer le pont / à l'encontre de baignoire en appliquant un cordon de mastic silicone autour du rebord de baignoire (Figure 9).

Appliquer un cordon continu de mastic silicone autour de la couture ensemble entre le compteur et le rebord de la baignoire. Permettez-mastic selon les instructions du fabricant.

- 3 Dans un seau, le matériel de base mélanger. Placez un gros tas de plâtre sur le plancher, à l'emplacement approximatif de la baignoire en bas au centre. Les monticules doivent être placés suffisamment pour que, lorsque la cuve est défini, il fera le plâtre à déplacer et se propager. Remplacez l'unité dans une cabine avec jupe avant fermement sur le sol. Assurez-vous que de retour de corniche baignoire repose fermement sur des supports grand livre. Niveau de l'unité et la cale livre si nécessaire. La baignoire doit être de niveau.

**NOTE**

Matériel de soutien Bas: plâtre de moulage / plâtre de Paris (ci-après dénommé matériaux de fondation) ne sont pas nécessaires, mais son utilisation est fortement recommandé pour un soutien plus ferme en bas.

- 4 Fermetures: Pour une ossature de bois - brides de forage avec un pré  $\frac{1}{8}$ " bit (5mm) de carbure et le fixer avec # 8 x 1  $\frac{1}{2}$ " (38mm) autotaraudeuses vis à tôle, des murs en blocs de béton / utiliser 1" (25mm) des clous à béton avec un outil à clouer ou à l'impact.

**NOTE**

Pré-perçage et brides de clouage est recommandé pour éviter les fissures de l'unité en acrylique. Silicone en haut de chaque attache pour assurer l'étanchéité à l'eau

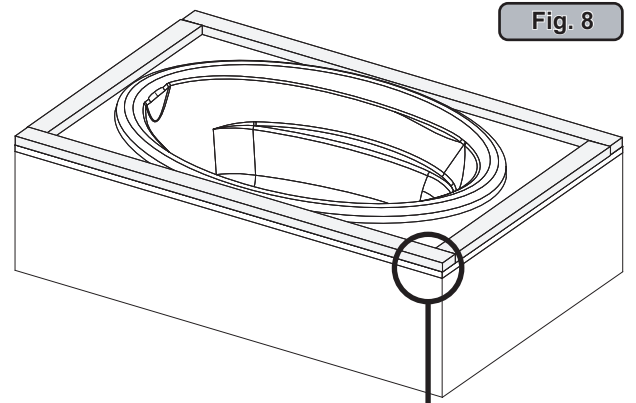


Fig. 8

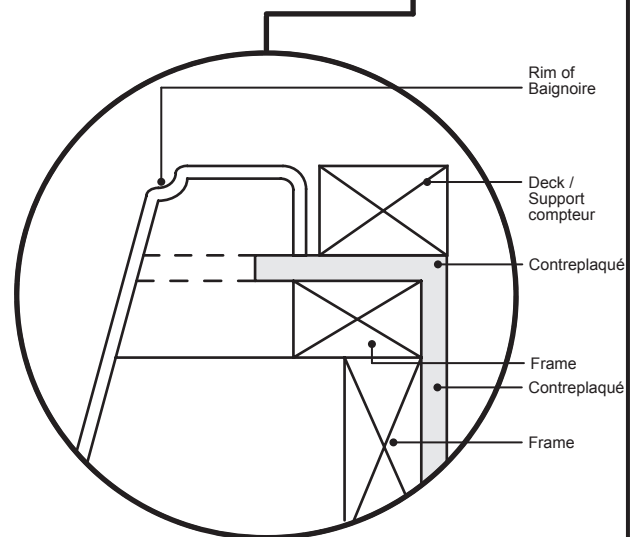
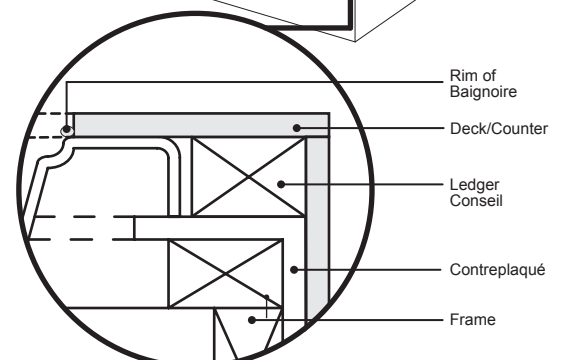
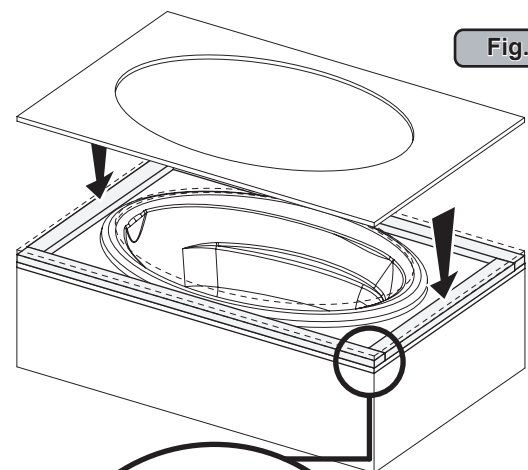


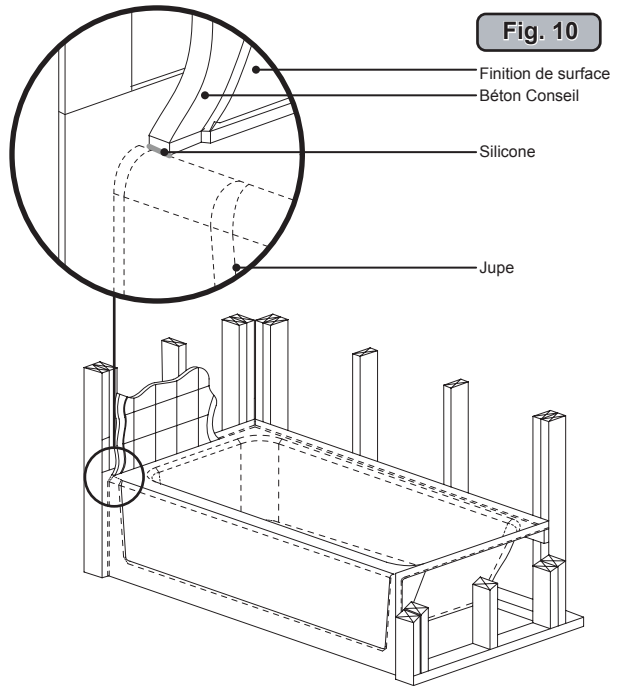
Fig. 9





### Procédures d'installation (suite)

- 6 Spot-attacher les deux coins inférieurs et les deux meilleurs coins du bord vertical bride de clouage. Ongles / fixer à chaque plot à travers les brides de dessus à chaque plot 16 "(405mm) au centre, de travail par les deux bouts vers le centre en arrière. Remplissez la fixation par aile latérale verticale, d'environ 8 "(205mm) sur le centre.
- 7 Quand d'autres que de panneaux de ciment doit être utilisé, fourrures aussi épais que brides de clouage est recommandé pour l'installation sur des montants ci-dessus l'appareil est installé pour assurer murs seront couleur. Mastic silicone à 100% par le mildiou propriétés de résistance doit être appliqué entre le baigneur conseil | d'administration et de l'unité de surface horizontale (Figure 10). Ensuite, matériaux du mur peut être appliquée.
- 8 Finition des autres corps de métier doit être fait en conformité avec les codes applicables et généralement acceptée Immeuble pratiques.
- 9 Utilisez une scie (dents fines ou le bord de coupe abrasif) à Percer des trous pour le pont monté accessoires pour baignoires.
- 10 Connect Flex lignes d'approvisionnement en eau au robinet, communiquer baignoire les drains et les cordons d'alimentation prise dans les prises GFCI.
- 11 Allumez l'alimentation des circuits dédiés protégé par un GFCI et le fonctionnement du système à cocher.
- 12 Calfeutrez le pourtour de la baignoire pour sceller l'espace entre la jante et le comptoir fini.



### Nettoyage

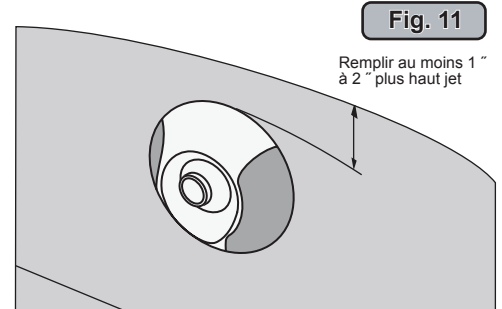
Pour éviter de dépolir et d'égratigner la surface de la baignoire, n'utilisez jamais des nettoyants abrasifs. Pour la plupart des surfaces sales, un détergent liquide doux et de l'eau tempérée suffisent. Nous effectuons aussi les recommandations suivantes:

- Retirez le plâtre renversé au moyen d'une lame en bois ou en plastique. Les taches laissées par le plâtre ou le coulis peuvent être éliminées en les frottant légèrement avec un détergent versé sur un chiffon ou une éponge humide. N'utilisez pas des grattoirs en métal, des brosses métalliques ou d'autres outils en métal puisqu'ils endommageront la surface de la baignoire.
- La peinture, le goudron et les autres taches rebelles peuvent être éliminées avec du Fantastik® ou de l'eau savonneuse.
- Les égratignures mineures qui ne pénètrent pas le fini en couleur peuvent être éliminées en ponçant légèrement avec un papier de verre mouillé/sec de 600 grains. Vous pouvez restaurer le fini brillant de la surface acrylique de la baignoire au moyen d'un composé spécial appelé Meguiar's #10 Mirror Glaze. Si ce produit n'est pas disponible, utilisez une pâte à polir automobile suivie de l'application d'une cire automobile en pâte.
- Les égratignures et les rainures majeures qui pénètrent la surface acrylique devront être finies à nouveau. Communiquez avec Jacuzzi Luxury Bath pour trouver un agent de service dans votre région.

### Renseignements généraux sur l'utilisation

Toutes les baignoires fabriquées par Jacuzzi Luxury Bath sont conçues pour « remplissage et évacuation », ce qui signifie que la baignoire doit être vidée après chaque utilisation et remplie d'eau fraîche par le baigneur suivant. Il s'agit d'une précaution de santé puisque ces baignoires ne sont pas conçues pour conserver de l'eau continuellement comme les piscines ou les spas.

Fermez l'évacuation et remplissez la baignoire jusqu'à ce que l'eau soit à au moins 2,5 à 5 cm (1 à 2 po) au-dessus du jet le plus élevé (reportez-vous à la ligne d'eau indiquée dans l'illustration – Figure 11). Ne mettez pas le système de la baignoire de massage en marche si les jets ne sont pas complètement immergés dans l'eau. Faire fonctionner le système de la baignoire de massage lorsqu'il n'y a pas assez d'eau peut entraîner la pulvérisation de l'eau à l'extérieur de la baignoire. Le fonctionnement du système de la baignoire de massage sans une quantité suffisante d'eau endommagera la pompe de recirculation.



**NOTE**

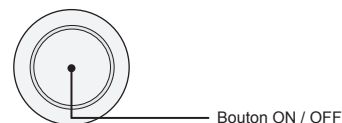
Lorsque vous sortez de la baignoire, le niveau d'eau s'abaissera sous les jets ce qui pourrait entraîner la pulvérisation de l'eau à l'extérieur de la baignoire. Pour empêcher cette pulvérisation, vous devez éteindre l'unité avant de sortir de la baignoire.

**Bouton ON / OFF**

Enfoncez le bouton pour mettre le système de massage en marche.

Enfoncez le bouton pour éteindre le système de massage en marche.

Fig. 12



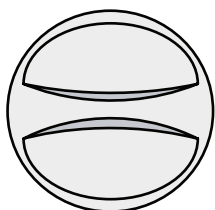
Bouton ON / OFF

**Commande du massage**

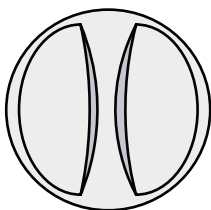
À la position fermée, les jets massent avec de l'eau seulement.

À la position ouverte, de l'air est mélangé avec l'eau pour créer un large panache profond de bulles de massage.

Fig. 13



OPEN Position



CLOSED Position

**Direction (Figure 14A)**

Pour modifier la direction du débit d'eau, pivotez la buse du jet jusqu'à l'angle désiré.

**Force de l'eau (Figure 14B)**

Augmentez la force du débit en tournant la façade du jet vers la gauche (sens antihoraire).

Diminuez la force du débit en tournant la façade du jet vers la droite (sens horaire).


**ATTENTION**

Ne faites jamais fonctionner le système de la baignoire de massage lorsque tous les jets sont fermés.

Fig. 14A

Direction

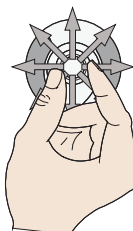
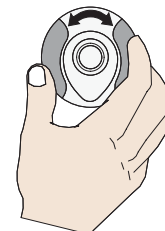


Fig. 14B

Water Force


**RapidHeat™**

L'élément chauffant se met en marche automatiquement dès que le fonctionnement de la baignoire de massage est actif. Le fonctionnement de l'élément chauffant n'est pas affiché sur le panneau de commande. Il y a un voyant lumineux visible sur l'élément chauffant lui-même qui indique que l'élément chauffant fonctionne. L'élément chauffant aidera à maintenir la température de l'eau dans la baignoire (Figure 15).

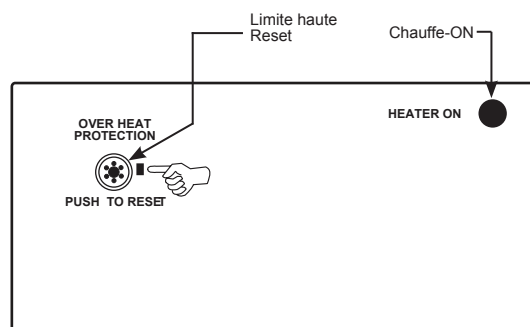
**Interrupteur d'aspiration**

L'élément chauffant est muni d'un interrupteur d'aspiration pré-réglé qui ne lui permettra pas de se mettre en marche si la pompe ne fonctionne pas et si l'eau ne circule pas dans le système de la baignoire de massage.

**Interrupteur de limite supérieure**

L'élément chauffant comprend un interrupteur de limite supérieure exclusif. Ce circuit de sécurité ne sera pas déclenché indûment par l'eau chaude du robinet. Il n'arrêtera l'élément chauffant que si le thermostat est défectueux. Pour réinitialiser, appuyez sur le bouton. Si la limite supérieure se déclenche souvent, veuillez communiquer avec nous à [www.jacuzzi.com](http://www.jacuzzi.com) ou en composant le 1-800-288-4002.

Fig. 15



## Nettoyage et Additifs pour le bain

### NOTE

**N'utilisez pas des additifs pour baignoire à l'huile ou à base d'huile. N'utilisez jamais des nettoyeurs, ou caustiques, domestiques abrasifs sur aucun produit Jacuzzi Luxury Bath.**

Si vous voulez utiliser tout type de baignoire additif, utilisez uniquement une petite quantité de poudre peu moussant ou d'une substance cristalline, l'action Whirlpool intensifie les propriétés moussantes du savon.

L'utilisation d'huiles baignoire certains, bains moussants, et des additifs baignoire peut augmenter le niveau des accumulations de résidus de baignoire à remous dans le système et peut entraîner des erreurs de lecture des capteurs de niveau d'eau. Si une accumulation excessive persiste, vous devriez cesser d'utiliser ces produits.

Pour enlever les accumulations de résidus du système baignoire à remous, il est recommandé que d'une baignoire être nettoyés régulièrement. Pour de meilleurs résultats, cependant, nous vous recommandons de nettoyer votre baignoire après chaque utilisation en utilisant les systèmes Clean™, notre propre exclusif en deux parties du système de plomberie en particulier pour les baignoires à remous. Systems Clean™ est disponible via un jacuzzi de luxe autorisé bain Distributeur ou en nous appelant directement au 1-800-288-4002 ou peuvent être achetés en ligne à [www.jacuzzi.com](http://www.jacuzzi.com).

## Entretien

Pour nettoyer votre baignoire, utilisez simplement une solution de détergent liquide doux non abrasif. Vous pouvez protéger et restaurer le lustre d'une surface acrylique dépolie en appliquant Meguiar's #10 Mirror Glaze, un produit spécifiquement conçu pour être utilisé sur les finis en acrylique. Si le produit Meguiar n'est pas disponible, utilisez une pâte à polir automobile de haute qualité suivie de l'application d'une cire automobile en pâte.

Les égratignures mineures qui ne pénètrent pas le fini en couleur peuvent être éliminées en ponçant légèrement avec un papier de verre mouillé/sec de 600 grains. Restaurez le lustre au moyen de Meguiar's Mirror Glaze ou d'une cire automobile en pâte. Les égratignures et les rainures majeures qui pénètrent la surface acrylique devront être finies à nouveau. Communiquez avec Jacuzzi Luxury Bath pour trouver un agent de service dans votre région.

## Entretien du couvercle/tamis d'aspiration

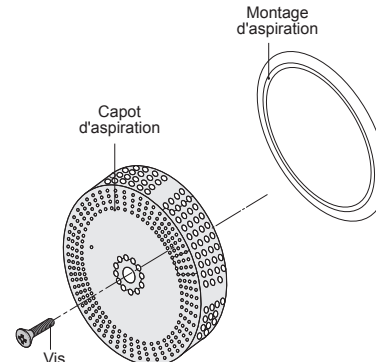
Retirez les cheveux et les débris du couvercle/tamis d'aspiration lorsque cela s'avère nécessaire (Figure 16).

- ① Retirez la vis centrale et retirez le couvercle d'aspiration.
- ② Nettoyez le couvercle en contre-balayant les débris des trous.
- ③ Réinstallez le couvercle d'aspiration immédiatement après le nettoyage.

**ATTENTION** Gardez les cheveux à une distance d'au moins 15 cm (6 po) du raccord d'aspiration en tout temps lorsque le système de la baignoire de massage fonctionne. Les cheveux longs (au-delà des épaules) doivent être attachés près de la tête ou encore, nous suggérons le port d'un bonnet de bain.

**ATTENTION** Ne faites pas fonctionner le système de la baignoire de massage lorsque le couvercle/tamis d'aspiration est retiré! Il s'agit d'un dispositif de sécurité et il doit toujours être en place sur le raccord d'aspiration pour minimiser les risques de piègeage des cheveux ou du corps.

Fig. 16



## Installation des Panneaux de Jupe

### Pour retirer le panneau de jupe -

Saisissez un bord du panneau de la jupe et pull à se séparer.

### Pour réinstaller le panneau de jupe (Figure 17) -

Alignez les six (6) postes sur le panneau avec les six prises (6) de courant du récepteur (6) sur la cuve et presser en place.

### Réglage du panneau Jupe (Figure 18)

Insérez un tournevis dans la prise du récepteur, à travers la fente à l'arrière. Tourner dans le sens horaire pour serrer et dans le sens antihoraire pour desserrer

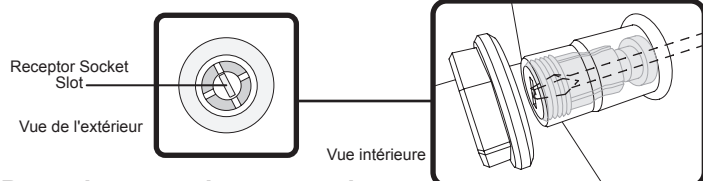
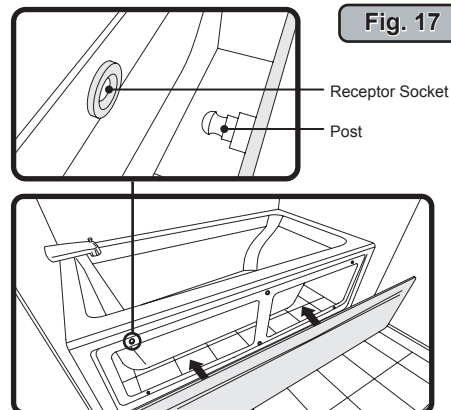


Fig. 18

Fig. 17



### Baignoires avec jupe en option

Si vous installez une jupe intégrée, s'il vous plaît se référer à l'installation jupe de guidage avant d'aller plus loin.

**Procédures de dépannage**

PROBLEME	PROBABLE CAUSE	RECOURS
Pompe / moteur ne démarre pas	Pas de courant à la pompe / moteur	Reset GFCI Insérer la fiche dans la prise en toute sécurité
	Pompe / moteur n'est pas branché	
	Pompe / moteur défectueux	Baignoire jacuzzi de luxe Contact @ 800-288-4002
Pompe / moteur fonctionne, mais pas de jets sont entièrement réglables fonctionnement	Jets sont fermés	Jets Ouvrir en tournant dans le sens antihoraire
	Couvercle d'aspiration / filtre peut être obstrué	Avec le moteur éteint, retirez le couvercle d'aspiration / filtre et enlever les débris. Remplacer le couvercle d'aspiration avant de faire fonctionner
Pompe / moteur fonctionne, mais l'air n'est pas injecté dans l'eau	Les soupapes à air sont fermées	Ouvrir les vannes de régulation d'air
Les fuites d'eau des syndicats de la pompe	Trop serré, le joint torique peuvent être coincés ou mal installés, undertightened	Desserrer les syndicats, vérifier et remettre en place le joint torique. Si le joint torique a été pincé hors de forme, remplacer (indiquer le numéro ci-dessous). Lors du serrage des écrous union, Bien visser le seul
L'eau n'est pas à maintenir la température	Haut de fin de course sur le radiateur a été déclenché	Appuyez sur le bouton Reset sur le radiateur

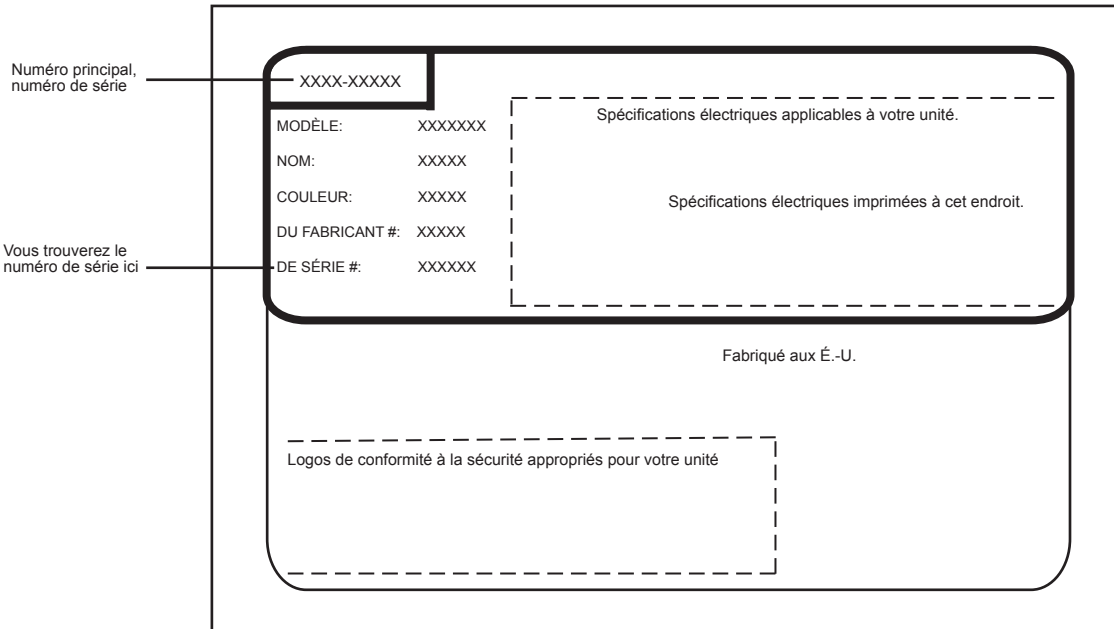


Si l'appareil est dans la période de garantie, veuillez communiquer avec jacuzzi de luxe de bain Service de soutien au 1-800-288-4002 avec le numéro de série de votre salle de bain avant le début des travaux. Le numéro de série est situé sur la spécification / Serial Number Plate (la plaque est située derrière la zone de l'équipement).

**Service autorisé**

Si vous avez besoin d'une référence pour une entreprise de service près de chez vous ou si vous avez des questions concernant le fonctionnement ou l'entretien, veuillez communiquer avec notre service à la clientèle au 1-800-288-4002. Visitez notre site Web à <http://www.jacuzzi.com> pour les produits, les services et une copie en ligne de ces directives d'installation et d'utilisation.

Lorsque vous demandez une visite de service ou de l'aide technique, ayez le modèle et le numéro de série de votre unité à la portée de la main. Ces renseignements se trouvent sur la fiche d'enregistrement du produit fournie avec votre unité. Si la fiche a été égarée, ces renseignements se trouvent sur l'étiquette de spécifications/numéro de série située sur l'unité elle-même. Cette étiquette se trouve sur le mur de la baignoire près du moteur du ventilateur.

**ÉTIQUETTE DE SPÉCIFICATIONS/NUMÉRO DE SÉRIE**

LES SPÉCIFICATIONS DU PRODUIT PEUVENT ÊTRE MODIFIÉES SANS PRÉAVIS.

UTILISEZ LE MANUEL DE SPÉCIFICATIONS TECHNIQUES FOURNI AVEC CE PRODUIT.

Jacuzzi® Luxury Bath a obtenu les classifications de code (normes) applicables habituellement offertes à l'échelle nationale pour les produits de ce type. L'installateur/le propriétaire doivent déterminer la conformité au code local précis avant d'installer le produit. Jacuzzi® Luxury Bath n'effectue aucune représentation ou garantie relatives à la conformité au code et elle ne sera pas responsable de cette dernière.

Jacuzzi® Luxury Bath  
 14525 Avenue Monte Vista  
 Chino, Californie, 91710 É.-U.

1-800-288-4002

[www.jacuzzi.com](http://www.jacuzzi.com)

# GARANTIE LIMITÉE SUR LE BAIN DE LUXE JACUZZI SIGNATURE GAMME SERIES

## GARANTIE COUVERTURE

Luxe Jacuzzi Bath (la "Société") offre la garantie limitée expresse suivante à l'acheteur original d'un produit de luxe jacuzzi («unité») qui achète le produit pour un usage personnel ou seul ("user "). La Compagnie réparera ou remplacera, à sa discrétion, l'unité ou de son équipement en conformité avec les termes et conditions suivantes

### UNE GARANTIE LIMITÉE SUR LES BAINS

Notre garantie limitée sur les produits pour le bain est pour un (1) an. Notre garantie couvre l'unité et des composants installés en usine (par exemple, pompe, moteur) contre les défauts de matériel ou de fabrication des navires. La garantie commence le jour de l'unité a été acheté par l'utilisateur.

### QUATRE-VINGT JOURS (PIÈCES SEULEMENT) GARANTIE LIMITÉE SUR LES OPTIONS ET ACCESSOIRES

Notre garantie limitée sur les options et accessoires fabriqués par la Société est de quatre vingt dix (90) jours pour les pièces seulement. Notre garantie couvre les options et accessoires fabriqués par la société (par exemple, bec de remplissage, trousse de finition, jupes) contre les défauts de matériau ou de fabrication. La garantie commence le jour de l'option ou accessoire a été acheté par l'utilisateur.

## LIMITES DE LA GARANTIE

Notre garantie limitée ne couvre pas les défauts, les dommages ou les pannes causés par le transporteur, l'installateur, l'utilisateur, ou toute autre personne, ou résultant de, mais sans s'y limiter, les éléments suivants: une manipulation imprudente (unité de levage par la plomberie, l'abrasion finition, etc.), la modification de tout type pour une raison quelconque (y compris la modification pour respecter les codes locaux); une installation incorrecte (y compris l'installation non conforme aux instructions et aux spécifications fournies avec l'appareil); connexions fournies par l'installateur de l'équipement; mauvaise alimentation électrique ou modification électrique non autorisée; utilisation abusive, une utilisation incorrecte, ou le manque d'entretien de routine; fonctionnement de l'unité, sans montant minimum déterminé de l'eau ou à la température de l'eau inadéquate, l'utilisation de nettoyeurs abrasifs ou inappropriés, ou actes de Dieu, comme la foudre, les inondations, tremblements de terre, etc

En outre, LA SOCIÉTÉ NE SERA PAS RESPONSABLE DES DOMMAGES INDIRECTS OU INDIRECTS, les pertes découlant de toute cause (par exemple, les dégâts d'eau à la moquette, plafond, la perte d'usage, etc), y compris sa propre négligence, des dommages concernant ou résultant de : les pièces plaquées en produits chimiques pour piscine et / ou le spa sont utilisés dans l'unité, l'équipement de baignoire en option ne sont pas fabriqués par la Société mais fourni par le distributeur, installateur ou de la Société; utilisation antérieure de l'appareil comme un modèle de démonstration; ou des défauts qui auraient dû être découverts avant l'installation. Cette garantie limitée ne comprend pas: du travail, de transport ou autres frais engagés pour l'enlèvement et / ou la réinstallation de l'unité d'origine et / ou l'installation d'une unité de remplacement; les coûts liés à l'obtention de l'accès pour la réparation ou la perte de dommages utilisation, y compris la perte de ventes, des bénéfices ou des avantages commerciaux de toute nature en toutes circonstances. Les baignoires sont exclues de toute couverture de garantie si tout ajout, suppression ou modification de quelque nature que ce soit a été faite à l'unité (ou à tout composant).

La garantie est fournie aux États-Unis d'Amérique ne.

## EXCLUSION DE GARANTIES IMPLICITES

Les garanties implicites de qualité marchande et d'adéquation à un usage particulier sont déclinées en tout ou dans la mesure permise par la loi.

AVIS: Cette garantie vous donne des droits légaux spécifiques, et vous pouvez également avoir d'autres droits qui varient d'un état à un autre. Il n'y a pas de garanties applicables aux produits de luxe Jacuzzi Bath, sauf disposition expresse des présentes ou implicite par l'État applicable et les lois fédérales. La Société ne sera pas responsable des déclarations ou représentations, sous quelque forme que vont au-delà, sont plus larges que ou sont incompatibles avec toute documentation autorisée ou spécifications fournies par la Société.

Certains états ne permettent pas de limitations sur la durée d'une garantie implicite, ou l'exclusion ou la limitation des dommages fortuits ou consécutifs, les limitations ci-dessus et exclusions peuvent ne pas s'appliquer à vous.

## RETOUR DE CARTE DE GARANTIE

Le joint pré-adressée carte de garantie DOIT être rempli par l'acheteur dans les trente (30) jours suivant l'achat et être postés au bain de luxe jacuzzi pour que cette garantie doivent entrer en vigueur.

## RETOUR DE L'ENREGISTREMENT DE GARANTIE

Pour enregistrer votre produit, s'il vous plaît visitez notre site Web Jacuzzi.com, cliquez sur bain et la douche, puis sélectionnez LIGNE DE GARANTIE à partir du haut de la page. Vous serez alors invité à entrer votre numéro de série du produit, suivi de votre information d'enregistrement de garantie. Ou vous pouvez également vous inscrire en remplissant l'enregistrement ci-dessous et de diffusion de jacuzzi à l'adresse indiquée ci-dessous.

Le joint de garantie inscription doit être remplie par l'acheteur dans les trente (30) jours suivant l'achat et reçus par de bain de luxe jacuzzi pour que cette garantie doivent entrer en vigueur.

## RESPONSABILITÉS DES AUTRES

Inspection de l'unité avant l'installation est la responsabilité de l'entrepreneur d'installateur ou de construction qui agit au nom de l'utilisateur. Ils sont chargés de s'assurer que l'unité est exempt de défauts ou de dommages. Avis sont placés sur et dans l'unité et sur le carton d'expédition de conseiller le programme d'installation de cette responsabilité. En cas de problème, l'appareil ne doit pas être installé. La Société n'est pas responsable des pannes ou des dommages qui auraient pu être découverts, réparés ou évités par une inspection et de test appropriées (y compris les analyses de l'eau propre) avant l'installation.

Les dommages survenus pendant le transport est la responsabilité du transporteur. L'utilisateur ou l'installateur doit ouvrir la caisse et inspecter l'appareil en cas de dommages lors de sa livraison. Si le dommage est découvert, il doit être immédiatement signalée au vendeur et au transporteur par écrit, et a demandé une inspection. Défaut du transporteur de réagir devrait être signalée au vendeur et le transporteur. Vos demandes de remboursement de marchandises devrait être déposé à bref délai par la suite.

Les dommages survenus à l'unité lors de l'installation est la responsabilité de l'installateur et / ou d'entrepreneur de construction et de dommages survenus par la suite est de la responsabilité de l'utilisateur.

Défaut de tout équipement optionnel est de la seule responsabilité du fabricant d'équipement sous réserve des dispositions ci-dessus et ne s'étend pas à s'appliquer à tout ou pièces de rechange pour les options et accessoires. Les pièces de rechange sont couverts par le fabricant d'équipement d'origine.

Le distributeur ou le revendeur est responsable de connaître les exigences des codes locaux et la notification au contractant d'installer et / ou d'utilisateur de ces exigences au moment de l'achat. La Société n'est pas responsable des coûts de modifier tout produit afin d'obtenir toute approbation de code, comme ville, du comté, ou les codes du bâtiment Etat aux Etats-Unis ou les codes municipaux ou provinciaux au Canada.

## SERVICE DE GARANTIE

Pour le bénéfice du client, la Société maintient une liste du personnel des services indépendants d'effectuer les réparations nécessaires du service de garantie. Ces entreprises ne sont pas des agents ou des représentants de la Société et ne peut pas engager la Société par paroles ou son comportement.

jacuzzi.com  
ou  
Service à la garantie  
14525, avenue Monte Vista  
Chino, California 91710  
Appel: 1- (800) 288-4002

Pour obtenir le remplacement de garantie pour les composants installés en usine pour les options et les accessoires fournis Société fabriqués et fournis par la Société, téléphoner ou écrire ce qui précède. Fournir une description du problème et une preuve d'achat. Vous serez chargé la façon d'obtenir le remplacement et où revenir, à vos frais, le composant défaillant (s), option (s) ou accessoire (s).

Toutes les pièces de rechange, l'équipement et les réparations doivent assumer la période restante de la partie (s) remplacé.

L'obligation de garantie de la Société sera libéré sur appel d'offres de remplacement ou de réparation. Le refus du client d'accepter l'offre se termine obligation de garantie de la Société.



Jacuzzi® Luxury Bath  
14525 Monte Vista Avenue  
Chino, California 91710



## FICHE D'ENREGISTREMENT DE LA GARANTIE



Pour effectuer votre enregistrement, visitez notre site Web à [www.jacuzzi.com](http://www.jacuzzi.com) ou remplissez et postez cette fiche à l'adresse indiquée au verso, et ce, dans un délai de trente (30) jours de la date d'achat afin que cette garantie soit en vigueur.

Nom de l'acheteur \_\_\_\_\_

Adresse de l'acheteur \_\_\_\_\_

Ville \_\_\_\_\_ Province \_\_\_\_\_ Code postal \_\_\_\_\_

Téléphone à la maison \_\_\_\_\_ Cell Phone \_\_\_\_\_

Email: \_\_\_\_\_

Date d'achat \_\_\_\_\_

Nom du modèle \_\_\_\_\_

Numéro de série \_\_\_\_\_

Nom du dépositaire \_\_\_\_\_

Adresse du dépositaire \_\_\_\_\_

1. Comment avez-vous entendu parler de ce produit Jacuzzi® ?

- Publicité  Article dans une revue/un journal
- Visité un dépositaire/fournisseur de plomberie  Pages jaunes
- Constructeur/plombier/rénovateur  Décorateur/architecte
- Visité un détaillant/magasin de rénovation
- Bouche à oreille . . . Ami/parent/connaissance
- Autre (veuillez préciser) \_\_\_\_\_

2. Qui est la première personne vous ayant donné des renseignements précis au sujet de ce produit (spécifications, prix, etc.)?

- Dépositaire/fournisseur de plomberie  Constructeur  Rénovateur
- Entrepreneur en plomberie  Détaillant/magasin de rénovation
- Décorateur/architecte  Déjà installé

3. Quelle était la principale raison de votre achat?

- Style  Service de garantie  Caractéristiques du produit
- Nom de la marque  Prix  Hydrothérapie
- Revente de la résidence \_\_\_\_\_
- Autre \_\_\_\_\_

4. Qui a finalement choisi le produit que vous avez acheté?

- Moi  Mon conjoint  Moi et mon conjoint ensemble
- Autre membre de la famille  Décorateur/architecte
- Constructeur/plombier/rénovateur  Déjà installé

5. Qui l'a installé?  Déjà installé/nouvelle résidence

- Entrepreneur/plombier lors de la rénovation
- Moi/mon conjoint lors d'une rénovation
- Autre \_\_\_\_\_

6. Quelle est la valeur actuelle sur le marché de cette propriété?

Veuillez l'évaluer en dollars

7. Quel est l'âge du chef du ménage? \_\_\_\_\_ ans

8. Quel autre fabricant avez-vous considéré?

- Eljer  Lasco  Price Pfister  Aqua Glass
- Kohler  American Standard  Sterling
- Autre (précisez) \_\_\_\_\_

9. Combien de temps avez-vous magasiné avant d'acheter cette unité?

- 1 jour  2 à 6 mois
- 2 à 7 jours  6 mois à 1 an
- 1 à 2 semaines  1 à 2 ans
- 2 à 4 semaines  +2 ans
- 1 à 2 mois

10. Depuis combien de temps approximativement habitez-vous dans cette résidence? \_\_\_\_\_

11. Veuillez indiquer, approximativement, le revenu annuel total de votre ménage

- Jusqu'à 24 999 \$  50 000 à 74 999 \$
- 25 000 à 29 999 \$  75 000 à 99 999 \$
- 30 000 à 39 999 \$  100 000 à 149 999 \$
- 40 000 à 49 999 \$  150 000 \$ et plus

12. Est-ce que votre processus d'achat a été...?

- Très facile  Facile  Difficile  Très difficile

13. Est-ce que vous connaissiez le système de jets breveté de Jacuzzi avant votre achat?

- Non, je ne le connaissais pas  Je le connaissais un peu  Je le connaissais très bien

Garantie limitée
de quatre-vingt-dix
jours
seulement sur les
pièces des
accessoires

JACUZZI LUXURY BATH  
NE60000A





## INSTALACIÓN Y OPERACIÓN DE INSTRUCCIONES

### Jacuzzi® Luxury Bath

14525 Monte Vista Avenue  
Chino, CA 91710  
1-800-288-4002  
[www.jacuzzi.com](http://www.jacuzzi.com)

**Contenido**

Contenido .....	34
Información del producto .....	34
Las declaraciones de advertencia .....	35
Inspección y prueba .....	36
Estructura y soporte .....	37
Conexiones eléctricas .....	38
Procedimientos de instalación .....	38
Limpieza .....	41
Información general de funcionamiento .....	41
De control de Whirlpool .....	42
RapidHeat™ .....	42
Limpieza y aditivos para el baño .....	43
Mantenimiento .....	43
Skirt Panel Installation .....	44
Procedimientos para resolver problemas .....	44
Servicio técnico autorizado .....	45
Garantía .....	46

**Información del producto**
**NOTA**

Conserve estas instrucciones para uso futuro. Utilice el formulario que se encuentra a continuación para registrar su modelo y número de serie para referencia futura.

Fecha de la compra \_\_\_\_\_

Comprado a \_\_\_\_\_

Instalado por \_\_\_\_\_

Número de serie \_\_\_\_\_

Modelo \_\_\_\_\_

**Instalador:** deje el manual para el propietario.

**Propietario:** lea este manual y consérvelo para referencia futura.

## Las declaraciones de advertencia

Este es un producto de calidad profesional. El conocimiento práctico de las técnicas de construcción, fontanería e instalación eléctrica de acuerdo a los códigos necesarios para la correcta instalación y la satisfacción del usuario. Se recomienda que un contratista con licencia realizar la instalación de todos los productos Jacuzzi ® Baño de Lujo. Nuestra garantía no cubre los problemas relacionados con la instalación inadecuada.

### LEA Y SIGA TODAS LAS INSTRUCCIONES. GUARDE ESTAS INSTRUCCIONES.

Utilice esta unidad sólo para el uso que se describen en este manual. No utilice accesorios no recomendados por el fabricante. Nunca deje caer ni introduzca ningún objeto en ninguna abertura

#### PELIGRO

**RIESGO DE LESIONES ACCIDENTALES!** O ahogando! No permita que los niños utilizar esta unidad a menos que sean supervisados en todo momento. No utilice bañeras de hidromasaje a menos que todos los guardias de succión se instalan para evitar que el cuerpo y la trampa de pelo. No utilice nunca la bañera de hidromasaje, si la tapa de succión está roto, dañado o perdido. No opere esta unidad sin la guardia en la entrada de la bomba de circulación (tapa de succión y el filtro).

#### PELIGRO

**RIESGO DE LESIONES GRAVES DE DESCARGA ELÉCTRICA O MUERTE DE ELECTROCUCIÓN!** Esta unidad sólo debe conectarse a un circuito de alimentación que está protegido por un interruptor de circuito de tierra de 15 amperios (GFCI). Tal GFCI debe ser siempre por el instalador y debe probarse de manera rutinaria. Siga las instrucciones del fabricante al probar el GFCI. El GFCI debe interrumpir el suministro eléctrico. Pulse el botón de reinicio. Conviene, ser restaurado. Si el GFCI no funciona de esta manera, el GFCI está defectuoso. Si el GFCI interrumpe la alimentación eléctrica a la bañera sin el botón de prueba siendo empujado, un campo de corriente está fluyendo, indicando la p10.

#### PELIGRO

**RIESGO DE DESCARGA ELÉCTRICA!** No permita que los aparatos eléctricos (como un cabello secador, lámpara, teléfono, radio o televisión) dentro de los 60 "(1524mm) de esta bañera de hidromasaje. Conecte solamente a un circuito protegido por un interruptor de circuito por falla a tierra (GFCI). (Para permanente unidades conectadas) Un terminal de color verde (o un conector de cable) la marca "G", "GR", "TIERRA" o TIERRA ") se proporciona en el compartimiento de terminales. Para reducir el riesgo de descarga eléctrica descarga, conectar el terminal o un conector al terminal de tierra de su servicio eléctrico o suministro de panel con un conductor del mismo tamaño que los conductores del circuito que alimentan el equipo.

#### PELIGRO

**LA INMERSIÓN PROLONGADA EN AGUA CALIENTE PUEDE PRODUCIR HIPERTERMIA!** La hipertermia ocurre cuando la temperatura interna del cuerpo alcanza un nivel superior a la temperatura corporal normal de 98.6 ° F (37 ° C). La síntomas de hipertermia incluyen un aumento en la temperatura interna del cuerpo, mareos, letargo, somnolencia y desmayos. Los efectos de la hipertermia incluyen:

- A. Falta de percibir el calor.
- B. La falta de reconocer la necesidad de salir de la bañera.
- C. Desconocimiento del peligro inminente.
- D. daño fetal en mujeres embarazadas.
- E. Incapacidad física para salir de la bañera.
- F. Pérdida del conocimiento F., aumentando el riesgo de ahogarse.

#### PELIGRO

Este equipo está diseñado para uso en interiores. Instalar el equipo de acuerdo con estas instrucciones. Utilice cables de suministro que son adecuados para 167 ° F (75 ° C), incluyendo la temperatura Valoración de los conductores de alimentación a utilizar. Esta unidad debe estar conectada a tierra e instalado por un contratista con licencia, electricista y fontanero. Materiales de construcción y cableado se deben colocar lejos del motor y la bomba o un ventilador u otros componentes que producen calor de esta unidad. Una presión conector de cable se proporciona en el exterior del motor y la bomba y el calentador para permitir la conexión de un N ° 8 AWG de cobre sólido conductor de unión entre esta unidad y todos los equipos eléctricos que no y el metal expuesto en las proximidades, según sea necesario para cumplir con las normativas ocales.

#### PELIGRO

Riesgo de daño fetal. Las mujeres embarazadas o posiblemente embarazadas deben consultar a un médico antes de con una tina de hidromasaje con un calentador.

## Las declaraciones de advertencia (cont)

- ⚠ PRECAUCIÓN** Mantenga el cuerpo y el cabello un mínimo de 6 " (152 mm) de distancia de la conexión de aspiración en todo momento el sistema de hidromasaje está en funcionamiento. Cabello largo hasta los hombros debe estar asegurado cerca de la cabeza
- ⚠ PRECAUCIÓN** No sumerja el panel de control por el llenado excesivo del baño.
- ⚠ PRECAUCIÓN** Para evitar lesiones, tenga cuidado al entrar y salir de la bañera de hidromasaje.
- ⚠ PRECAUCIÓN** No use drogas o alcohol antes o durante el uso de una tina de hidromasaje con un calentador. Posible ahogamiento puede ocurrir.
- ⚠ PRECAUCIÓN** No use una tina de hidromasaje con un calentador inmediatamente después de extenuantes ejercicio.
- ⚠ PRECAUCIÓN** Utilice esta unidad sólo para el uso que se describen en este manual. No utilice accesorios que no se recomendado por los fabricantes. No juegue con los controles operados por el usuario o como dispositivos.
- ⚠ PRECAUCIÓN** La temperatura del agua superior a 104 ° F (40 ° C) puede ser nocivo para su salud. Compruebe y ajustar la temperatura del agua antes de su uso.

## GUARDE ESTAS INSTRUCCIONES.

La Compañía ha obtenido códigos correspondientes (standards) listados en general, disponibles en una base nacional de los productos de este tipo. Es responsabilidad del instalador / propietario para determinar el cumplimiento específico de los códigos locales antes de la instalación del producto. La Compañía no hace ninguna representación o garantía con respecto a, y no será responsable de cualquier cumplimiento del código. Las especificaciones del producto están sujetas a cambios sin previo aviso.

## Inspección y prueba

### Inspección visual

- ① Retire la bañera de la caja de envío. Tenga cuidado de no rayar la superficie de la bañera con las grapas expuestas. Retire las grapas o plieguelas hacia el cartón. Conserve la caja hasta que la inspección del producto haya sido satisfactoria. Nunca levante la bañera sujetándola por la fontanería; solo hágalo por el armazón.
- ② Inspeccione el armazón y los componentes de la bañera. En caso de que la inspección revele cualquier daño o defecto en el acabado o daño visible en los componentes, no instale la bañera. Los daños o defectos en el acabado reclamados después de la instalación de la bañera están excluidos de la garantía. La responsabilidad de Jacuzzi Luxury Bath por daños durante el transporte finaliza contra entrega de los productos en buen estado al transportista.
- ③ Presente sus reclamos por daños al transportista. Para conocer los términos de la cobertura y las limitaciones de la garantía, consulte la información publicada sobre la garantía embalada con el producto o al dorso de este manual

### Verificación del funcionamiento y del agua de la bañera

La unidad debe ser probado por el programa de instalación antes de la instalación.

- ① Coloque la bañera sobre una superficie nivelada, cerca de un suministro eléctrico, suministro de agua y drenaje de agua adecuados. Una vía de acceso es una opción adecuada.
- ② Selle el orificio de drenaje y el orificio del rebosadero con cinta o con un tapón y llene la bañera hasta la parte inferior del orificio del rebosadero.
- ③ Permita que el agua de la bañera repose por 5 minutos.
- ④ Conecte el motor/bomba y encienda la unidad. Confirme que todas las características funcionen según se describe en la sección de Funcionamiento de este manual. No instale la bañera si no funciona como se describe.
- ⑤ Inspeccione visualmente todas las uniones para ver si hay goteos. No instale la bañera si se detectan pérdidas.
- ⑥ Vuelva a colocar la bañera en la caja o de lo contrario protéjala de daños hasta el momento de la instalación.

## Estructura y soporte

LEA TODAS LAS INSTRUCCIONES DE INSTALACIÓN COMPLETA. UNA INSTALACIÓN INCORRECTA ANULAR LA GARANTÍA.

### IMPORTANTE

Asegúrese de que las paredes y los pisos cumplen con los requisitos de seguridad contra incendios de los códigos de construcción locales y / o la FHA / HUD Normas Mínimas de Propiedad.

Observe todos los códigos y ordenanzas.

- ① La instalación apropiada es su responsabilidad. Un técnico especializado debe instalar la bañera.
- ② Instalación con un circuito por falla a tierra (GFCI) se requiere.
- ③ Es responsabilidad del cliente:
  - Para ponerte en contacto con un instalador eléctrico calificado.
  - Para asegurar que la instalación eléctrica es adecuada y de conformidad con el Código Eléctrico Nacional (NEC).

Un Manual de Especificaciones Técnicas se ha incluido en su bañera. El Manual de Especificaciones Técnicas contendrá la información pertinente a su producto Jacuzzi Baño de Lujo. Busque el Manual de Especificaciones Técnicas en este momento.

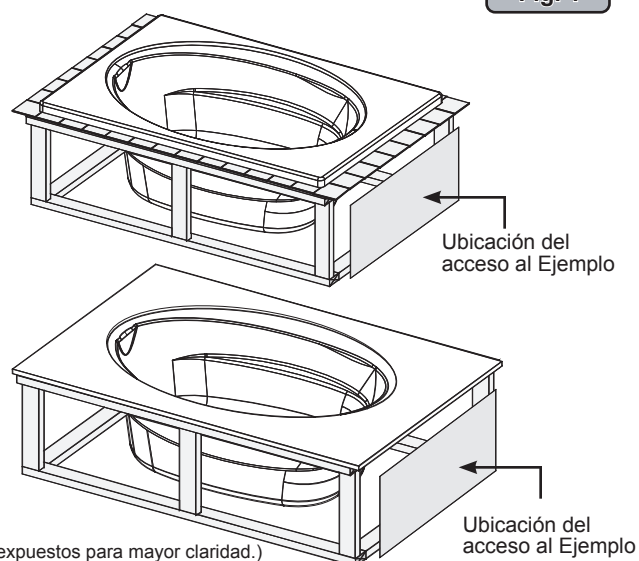
### NOTAS

Alcoba final debe tener las dimensiones correctas del interior, como se muestra en bruto-en los diagramas en el Manual de Especificaciones Técnicas, para instalar correctamente la unidad. Durante tres instalaciones en la pared alcoba, utilice un integrante moldeado de tres lados mosaico bañeras brida. Baño de Lujo jacuzzi no recomienda la utilización de bañeras sin brida mosaico integral en una instalación alcoba, donde sería un cabezal de la ducha instalada por encima de la unidad y utilizado como una ducha.

- En la remodelación, en caso necesario, los montantes en cada extremo para proporcionar una superficie vertical para clavar el lado bridas de clavado producto accesorio de baño.
- Para evitar obstrucciones durante la instalación asegúrese de que las líneas de suministro, caño de tubo y tubería de la válvula no de proyectos en la alcoba. Bañeras • requieren de 6 "x 12" (150mm x 305mm) abertura en el piso para el 1 ½ "(38mm) de drenaje, los desechos y el desbordamiento (DWO) kit.
- Esté seguro de ubicación abertura en el piso partidos accesorio bañera ubicación del desagüe.
- El uso del yeso de colada / yeso (material base) se recomienda en todas las estructuras comerciales (hoteles, es decir, moteles, dormitorios, gimnasios, etc.)
- La unidad debe contar con el apoyo de la parte inferior de la bañera y no sólo desde el borde de la bañera.
- Código por la UPC, el acceso debe ser proporcionada a la bomba / motor para su modelo específico (Figura 1). Es el responsabilidad del instalador, contratista, o propietario para facilitar el acceso de servicio. Jacuzzi no está responsable de los gastos relativos a la obtención de acceso para de reparación. El armador se hará cargo de esos costos y, si su caso, debe buscar la recuperación de la instalación. Centros de servicio primario y secundario de acceso se muestra en bruto-en los diagramas que figuran en el Manual de Especificaciones Técnicas.
- Proporcionar una ventilación adecuada para la refrigeración y el suministro suficiente aire para que la bomba o el motor. No aislar a todo el equipo.

Lugares de acceso

Fig. 1



(Ilustraciones por encima de muestra con la elaboración expuestos para mayor claridad.)

## Estructura y soporte (Cont)

### Contrapiso

- ① Prepare el subsuelo de la fuga y asegure que el área esté nivelada. El desagüe / rebosadero de la bañera se extiende por debajo de la parte inferior de la bañera. Identificar el dibujo en el Manual de Especificaciones Técnicas que corresponde con su bañera.
- ② Jacuzzi de Tru-Level base™ es una característica estándar en todas las bañeras. Si el subsuelo está nivelado y una superficie continua, sin otra preparación es necesaria. Continuar con "Procedimientos de instalación" sección de.
- ③ Si el subsuelo no está nivelado, se debe nivelar toda la superficie antes de instalar la bañera.
- ④ Asegúrese de que el piso esté nivelado y que puede soportar una carga de 50 libras. por pie cuadrado.
- ⑤ La bañera debe seguir siendo el nivel con el fin de que drene correctamente y deben ponerse en contacto con el material de nivelación.

### Conexiones eléctricas

#### **⚠ PELIGRO**

Riesgo de choque eléctrico. Conecte sólo a un circuito protegido por un GFCI (Figura 2).

#### **⚠ PRECAUCIÓN**

La toma de corriente debe ser montado de 4" (101 mm) por encima de la línea de suelo y 12" máximo de (305 mm) en el interior del borde de la bañera (Figura 2), o de acuerdo con los códigos locales de construcción y eléctricos.

Riesgo de sobrecalentamiento de los componentes. No utilice cable de extensión eléctrica al poder de esta unidad. Funcionamiento de la bomba sin agua suficiente en la bañera puede causar daños permanentes a la bomba / motor.

Si la unidad GFCI indica un mal funcionamiento, según las instrucciones del fabricante, apague la corriente y no intente utilizar la bañera hasta que el origen del problema ha sido identificado y corregido.

#### **NOTAS**

Al usar aparatos eléctricos, las precauciones básicas deben seguirse siempre:

- Siempre siga los códigos locales de construcción y eléctricos. Conexión a tierra es necesario. El aparato debe ser instalado y conectado a tierra por un electricista calificado.
- Una dedicada, 120VAC, circuito de 15 amperios GFCI con protección es necesaria para la bomba / motor. Si la bañera se compró con un calentador instalado, uno por separado 120VAC, circuito de 15 amperios con protección GFCI se requiere. Terminales de unión se proporcionan en el motor y el calentador para satisfacer los códigos eléctricos locales.

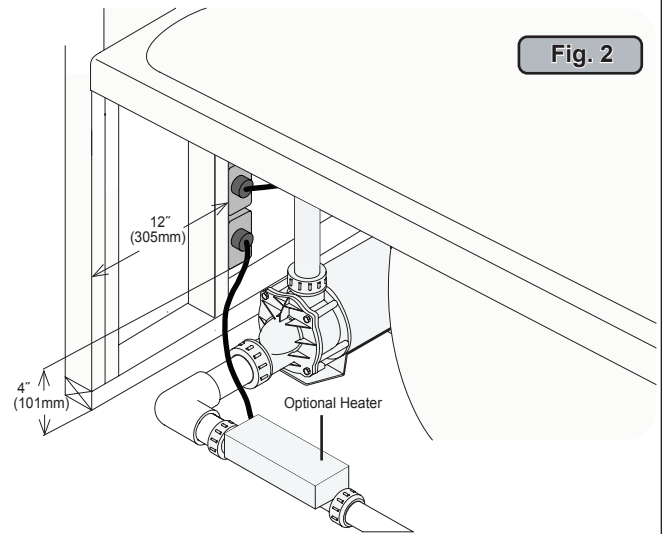


Fig. 2

### Procedimientos de instalación

- ① Asegúrese de que enmarcado en alcoba es del tamaño adecuado por dimensiones Jacuzzi, plaza, y la plomada; planta de verificación la nivelación (Figura 3). Áspero-en debe mantenerse al como mínimo hasta que la unidad está en el lugar de trabajo. Las mediciones pueden variar en 0 o - 3/8" del original pliego de condiciones.
- ② Una distancia suficiente se debe proporcionar para el acceso al servicio de las conexiones (bomba / motor, controles, calentador de plomería y empresas conexión eléctrica).

#### **NOTA**

Los pasos siguientes (A, B y C) le dirigirá en la mejor forma de instalar la bañera, en función de su entorno de instalación.

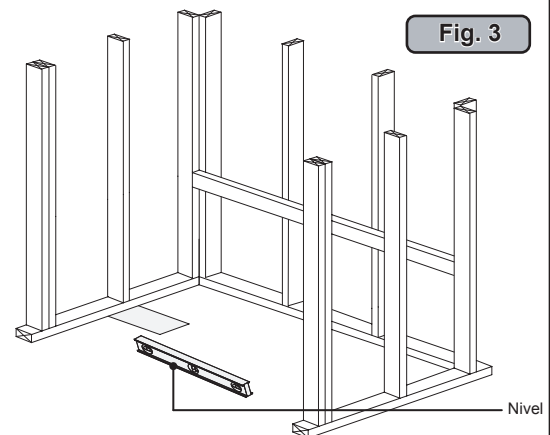


Fig. 3

## Procedimientos de instalación (Cont)

### A. Instalación Empotrada

1. Prepare la abertura del agujero de la bañera con la plantilla proporcionada (Figura 4).

#### NOTA

Por favor, siga las instrucciones que aparecen en la plantilla (incluido) para marcar correctamente el corte agujero. La plantilla puede mostrar las guías para obtener más de una bañera, asegúrese de seleccionar el mecanismo adecuado guía. Si en el montaje es una opción, tenga cuidado de seleccionar las líneas de guía que se aplican a la instalación que está llevando a cabo.

2. Coloque un pedazo de madera de desecho en cada una de las extremos de la corte - que será utilizado como un apoyo temporal previo a la reducción de la bañera plenamente en la apertura (Figura 5).
3. Instale la unidad, introduciendo el motor y la bomba final primero, la reducción de la bañera en la apertura como se muestra en la ilustración.
4. Instale la unidad, introduciendo el motor y la bomba final primero, la reducción de la bañera en la apertura como se muestra en la bañera illustration The se debe establecer el nivel. Para comprobarlo, el uso un nivel en la parte superior de los salientes en ambos extremos de la bañera y por encima del umbral (Figura 6).

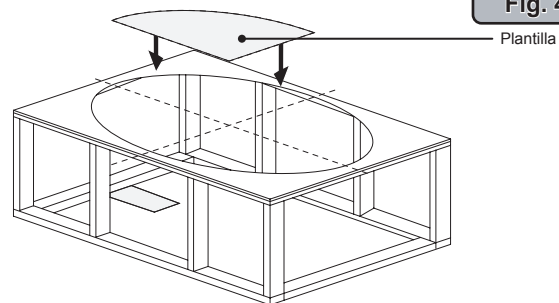


Fig. 4

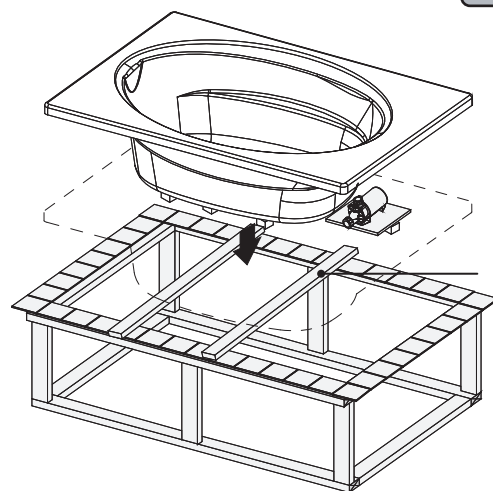


Fig. 5

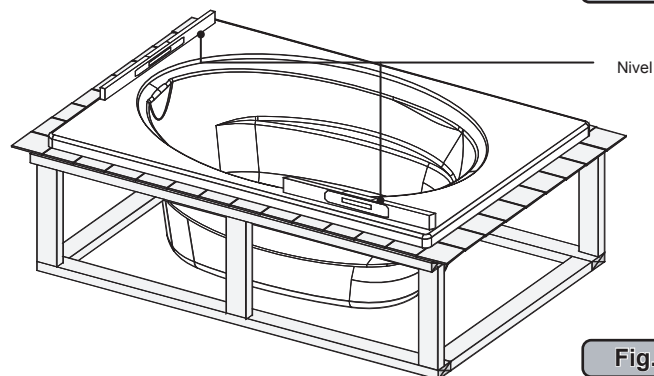


Fig. 6

### B. Instalación en el Hueco de 3 Paredes

1. Coloque la bañera en la alcoba con el faldón delantero firmemente en el suelo. La bañera se debe establecer nivel. Para comprobarlo, utilice un nivel en la parte superior de las repisas en ambos extremos de la bañera y en la parte superior de la presa (Figura 7).
2. Después de nivelar bañera, marque cada perno (hormigón o bloque de pared), inmediatamente por encima de la espalda reborde horizontal. Quitar bañera de alcoba. Medir la distancia entre la parte superior de la aleta trasera horizontal y la parte inferior de la bañera de cornisa de proximadamente 1 1/2 "(40mm). Marque con cuidado esta dimensión en la parte posterior espárragos (o pared), por debajo de la primera marca (Figura 7 recuadro).
3. Instale una franja de Ledger: mandatos jacuzzi uso de soportes bajo las salientes de la parte trasera bañeras para evitar que se desplacen. Uso horizontal libro franja a lo largo del borde trasero completo o, "yo" "T" apoya en al menos dos lugares en vertical posición. Un clavo de 1 "x 3" x 60 "(25mm x 75mm x 1525mm) larguero inmediatamente debajo de la inferior marcas hechas en la formulación de (Figura 7 - recuadro).

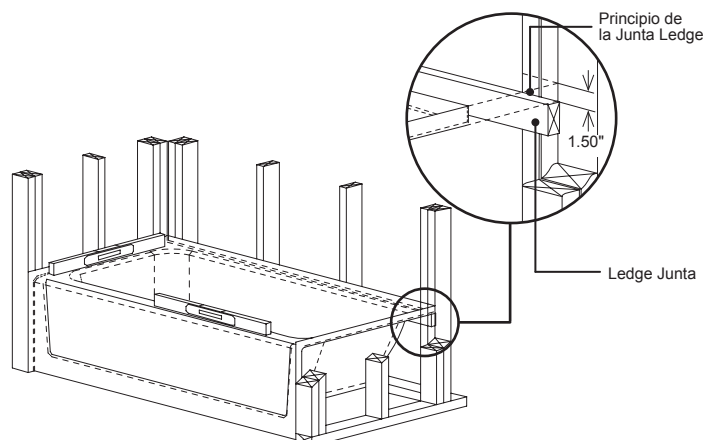


Fig. 7

**Procedimientos de instalación (Cont)**

**⚠ PRECAUCIÓN**

No use un sellador de pegamento o adhesivo para fijar el en contra de la bañera. Si el mantenimiento o remodelación es necesario, el contador puede tener que ser retirados. El adhesivo permanentemente la contraria a la bañera. Con cuidado la posición de la cubierta / contador sobre la bañera. Siga las instrucciones del fabricante para determinar el tiempo de curado.

**C. Instalación de Montaju Bajo Cubierta**

1. Preparar el agujero del recorte de la cubierta / contador y bañera usando la plantilla proporcionada.

**NOTA**

Por favor, siga las instrucciones que figuran en la plantilla (incluido) para marcar correctamente el agujero del corte. La plantilla puede mostrar guías para más de una bañera, asegúrese de seleccionar el mecanismos adecuados guía. Si en el montaje es una opción, se cuidado de seleccionar las líneas de guía que se aplican a la instalación que está llevando a cabo.

Utilice los pasos siguientes para undermount de la siguiente manera:

2. Coloque la plantilla de la bañera para que el deseado directrices undermount se alinean con el borde de la llanta (Figura 4).
3. Coloque la cubierta de paneles y apoyo a la plataforma con las hardware adecuado (Figura 8 - recuadro). La cubierta y tabla de apoyo contador debe estar a nivel con el borde de la bañera.
4. Fije la cubierta / en contra de las tablas de soporte usando adhesivo adecuado. No utilice pegamento para unir el cubierta o en contra del borde de la bañera.
5. Limpie cualquier suciedad o residuos de la parte superior de la bañera llanta. Asegure la cubierta o en contra de la bañera por la aplicación de un tira de sellador de silicona alrededor de todo el borde de la bañera (Figura 9 - recuadro).

Aplique una tira continua de sellador de silicona alrededor de la costura completo entre el contador y el borde de la bañera. Permita que el sellador se seque según las instrucciones del fabricante.

- 3 En un balde, mezcle el material base. Coloque un gran montículo de yeso en el subsuelo, en la ubicación aproximada de la tina parte inferior central. Los montículos deben ocupar un lugar prioritario lo suficiente como para que cuando la bañera está establecido, que hará que el yeso para desplazar y difusión. Vuelva a colocar la unidad en la alcoba con frente de la falda con firmeza en el piso. Asegúrese de que atrás de a cornisa bañera descansa firmemente sobre soportes contables. Nivel de la unidad y calza libro si es necesario. La bañera debe estar al mismo nivel.

**NOTA**

Inferior materiales de apoyo: yeso Casting / yeso (en adelante se refiere como materiales de base) no son necesarias, pero es su uso muy recomendable para un fondo de apoyo más firme.

- 4 Anclaje: Para la estructura de madera - bridas perforar primero con un 1/8" bits (5 mm) y sujete con carburo de # 8 x 1 1/2" (38mm) tornillos de rosca chapa, las paredes de bloques de hormigón / el uso de 1 "(25mm) clavos para concreto con la herramienta de clavar o impacto.

**NOTA**

Antes de la perforación y bridas de clavado se recomienda para evitar el agrietamiento de la unidad de acrílico. De silicona de la parte superior de cada sujetador para asegurar la estanqueidad al agua.

Fig. 8

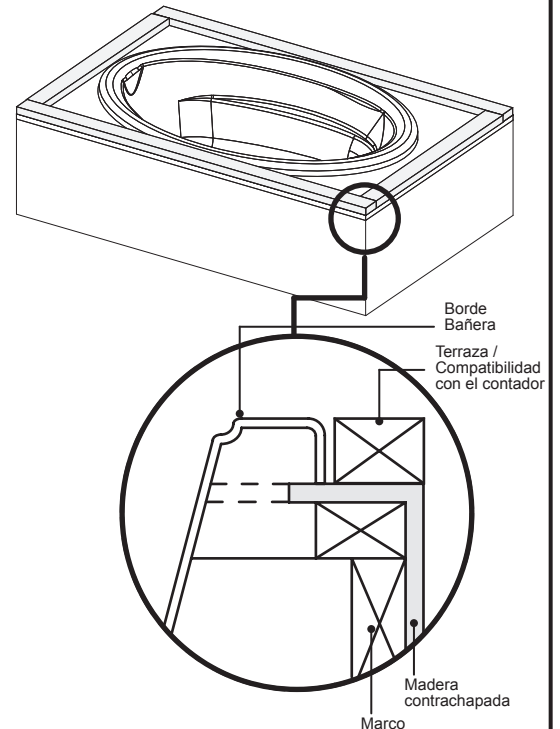
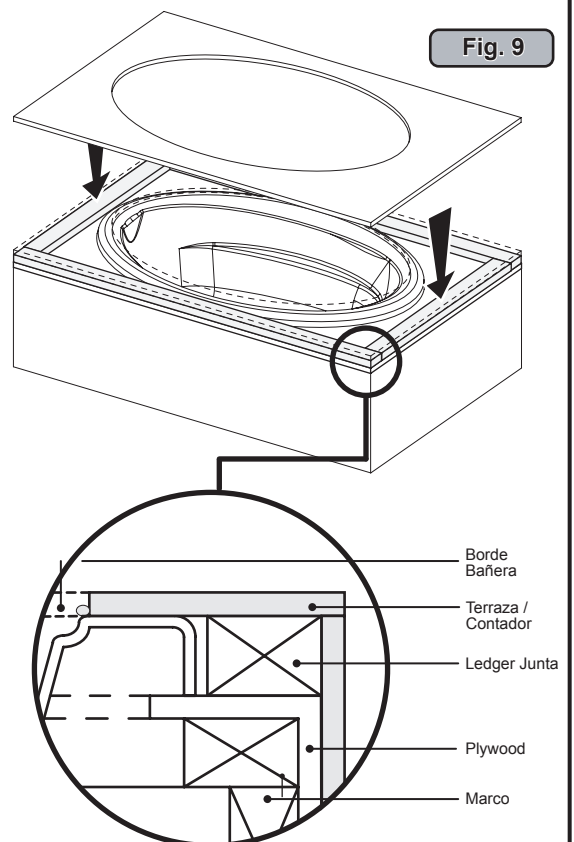


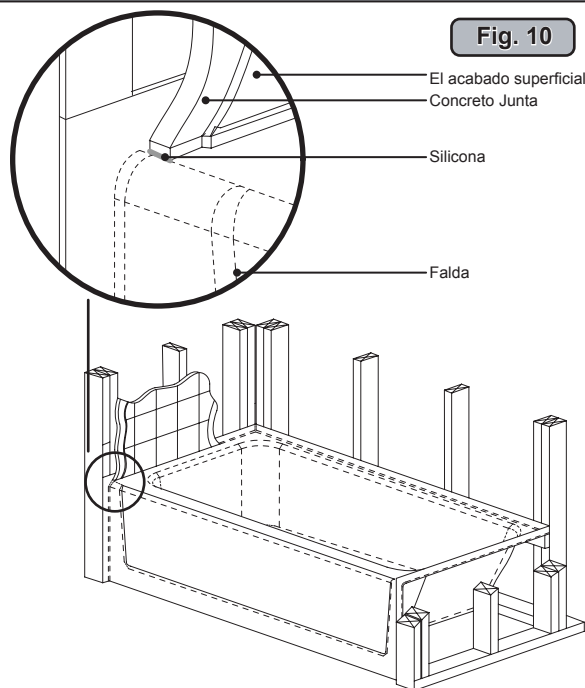
Fig. 9





## Procedimientos de instalación (Cont)

- 6 Spot-fijar las dos esquinas del fondo y los dos primeros esquinas de la parte vertical de la brida para clavar.
- 6 Nail / fije en cada perno a través de la parte superior de las bridas cada montante de 16 "(405mm) en el centro, trabajando desde los dos extremos hacia el centro de la espalda. Completa el ajuste a través de reborde lateral vertical, de aproximadamente 8 "(205mm) en el centro.
- 7 Cuando no sean placa de cemento de cemento se va a utilizar, tiras de listón tan grueso como bridas de clavado se recomienda para la instalación de postes por encima de la unidad instalada para asegurar paredes serán de color 100% de sellador de silicona con moho propiedades de resistencia se debe aplicar entre el patrocinador junta y la superficie horizontal de la unidad (Figura 10). A continuación, terminado materiales de la pared se puede aplicar.
- 8 Acabado de otros oficios debe hacerse de conformidad con los códigos de construcción y generalmente aceptados prácticas.
- 9 Use una sierra de perforación (de dientes finos o el borde de grano abrasivo de corte) para perforaciones para montar los accesorios de cubierta bañera.
- 10 Conecte las líneas flexibles de suministro de agua en el grifo, conectar bañera los desagües y los cables de enchufe de alimentación en las tomas GFCI.
- 11 Encienda la fuente de alimentación al circuito dedicado protegido con un GFCI y el funcionamiento del sistema de verificación.
- 12 Masilla alrededor del perímetro de la bañera para sellar el espacio entre la llanta y la cubierta acabada.



## Limpieza

Para evitar que la superficie de la bañera se raye o pierda brillo, nunca use limpiadores abrasivos. Para las superficies más sucias, basta el uso de detergente líquido suave y agua tibia. Se recomienda lo siguiente:

- Quite el yeso derramado con un filo de madera o plástico. Las manchas dejadas por el yeso o la lechada pueden eliminarse frotando ligeramente con una esponja o un paño húmedo con detergente. No use rasquetas de metal, cepillos de acero ni otras herramientas metálicas ya que dañarán la superficie de la bañera.
- Las manchas de pintura, alquitrán u otras manchas difíciles se pueden eliminar con Fantastik® o agua jabonosa.
- Los rayones menores que no penetran en el acabado de color se pueden eliminar lijando suavemente con un papel de lija húmedo o seco de grano 600. Puede restaurar el acabado brillante de la superficie acrílica de la bañera con un compuesto especial, el Mirror Glaze N.º 10 de Meguiar. Si no lo puede conseguir, utilice un compuesto de lustrado de automóviles y luego aplique cera en pasta para automóviles.
- Será necesario volver a aplicar el acabado si los rayones y estrías penetran en la superficie acrílica. Llame a Jacuzzi Luxury Bath para localizar a un agente de servicio cercano a su domicilio.

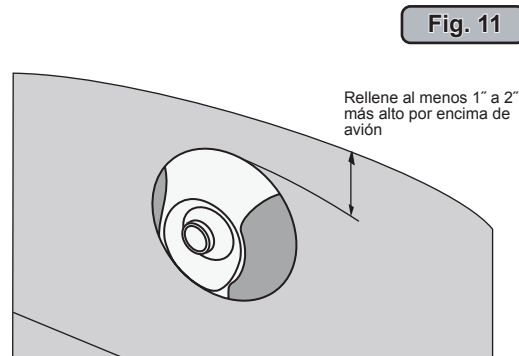
## Información general de funcionamiento

Todas las bañeras fabricadas por Jacuzzi Luxury Bath están diseñadas para "llenar y drenar", lo que significa que se debe vaciar la bañera después de cada uso y llenarla con agua limpia para el próximo baño. Esto es una precaución para la salud, ya que estas bañeras no están diseñadas para contener agua de manera continua como las piscinas o bañeras de hidromasaje.

Cierre el drenaje y llene la bañera hasta que el agua esté al menos a 1 ó 2 pulgadas (25 a 51 mm) por encima del chorro más alto (consulte el nivel de agua que se indica en la ilustración, Figura 11). No active el sistema Whirlpool en ningún momento si los chorros no están completamente sumergidos en el agua. El funcionamiento del sistema Whirlpool sin una cantidad suficiente de agua en la bañera podría provocar la aspersión de agua fuera de la bañadera. El funcionamiento del sistema Whirlpool sin agua dañará la bomba de recirculación.

### NOTA

Cuando salga de la bañera, el nivel de agua descenderá por debajo de los chorros, lo cual podría provocar la aspersión de agua fuera de la unidad. Para evitarlo, debe desconectar la unidad antes de salir de la bañera.

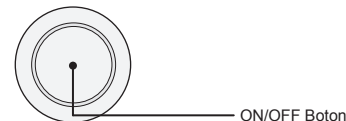


### Botón ON / OFF

Pulse el botón para ENCENDER el sistema Whirlpool.

Pulse el botón para APAGAR el sistema Whirlpool.

Fig. 12



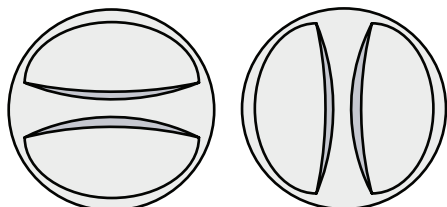
ON/OFF Boton

### De control de Whirlpool

En posición de cerrado, los chorros masajean solamente con agua.

En posición abierta, el aire se mezcla con el agua para generar una corriente profunda y amplia de masaje burbujeante.

Fig. 13



ABIERTA Posicione

CERRADA Posicione

#### Dirección (Figura 14A)

Para cambiar la dirección del flujo del agua, gire la boquilla de chorro hasta el ángulo deseado.

#### Fuerza del agua (Figura 14B)

Aumente la fuerza del flujo girando el frente hacia la izquierda (en sentido antihorario).

Disminuya la fuerza del flujo girando el frente hacia la derecha (en sentido de las agujas del reloj).


**PRECAUCIÓN**

Nunca ponga en funcionamiento el sistema Whirlpool con todos los chorros cerrados.

Fig. 14A

Dirección

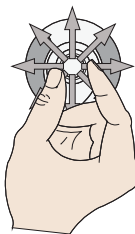
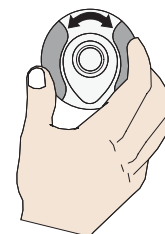


Fig. 14B

Fuerza del agua



### RapidHeat™

El calentador se ENCIENDE automáticamente cada vez que se activa el funcionamiento Whirlpool. El funcionamiento del calentador no se muestra en el panel de control. Hay una luz indicadora visible en el calentador que señala que el calentador está funcionando. El calentador ayudará a mantener la temperatura del agua en la bañera (Figura 15).

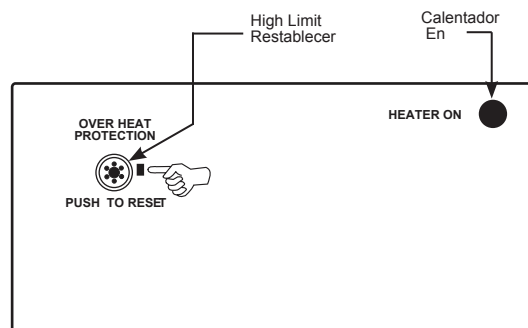
#### Interruptor de vacío

El calentador está equipado con un interruptor de vacío previamente configurado que impedirá que el calentador se ENCIENDA si la bomba no está funcionando y el agua no está fluyendo a través del sistema Whirlpool.

#### Interruptor de límite alto

El calentador incluye un interruptor de límite alto exclusivo. Este circuito de seguridad no será accionado en falso por el agua caliente del grifo. Su única función es APAGAR el calentador si falla el termostato. Para restablecerlo, oprima el botón. Si el interruptor de límite alto se acciona con frecuencia, póngase en contacto con nosotros visitando [www.jacuzzi.com](http://www.jacuzzi.com), o llamando al 1-800-288-4002.

Fig. 15



## Limpieza y aditivos para el baño

### NOTA

**No utilice aceite o aditivos para baño a base de aceites. Nunca utilice limpiadores abrasivos de uso doméstico, o cáusticos, en ningún producto Jacuzzi Luxury Bath.**

Si quiere usar alguna clase de aditivo para baño, utilice sólo una pequeña cantidad de polvo de baja espuma o sustancias cristalizadas; la acción de remolino intensifica las propiedades espumantes de los jabones.

El uso de algunos aceites para baño, baños de espumas y aditivos para baño puede aumentar el nivel de acumulaciones de residuos en el sistema Whirlpool y puede provocar una falsa lectura de los sensores de nivel de agua. Si persiste el exceso de acumulaciones, deberá suspender el uso de estos productos.

Para eliminar la acumulación de los residuos de la bañera del sistema Whirlpool, se recomienda limpiar la bañera regularmente. Sin embargo, para obtener mejores resultados, le recomendamos que limpie su bañera luego de cada uso con Systems Clean™, nuestro exclusivo limpiador de dos componentes para sistemas de fontanería fabricado específicamente para bañeras de hidromasajes. Systems Clean™ se puede conseguir por medio de un distribuidor autorizado de Jacuzzi Luxury o llamándonos directamente al 1-800-288-4002.

## Mantenimiento

Para limpiar la bañera, simplemente use un detergente líquido suave no abrasivo. Puede proteger y restaurar el brillo de una superficie acrílica aplicando Mirror Glaze N.º 10 de Meguiar, un producto diseñado específicamente para uso en acabados acrílicos. Si no se puede conseguir este producto de Meguiar, utilice un compuesto de buena calidad para el lustrado de automóviles seguido de una aplicación de cera en pasta para automóviles limpia.

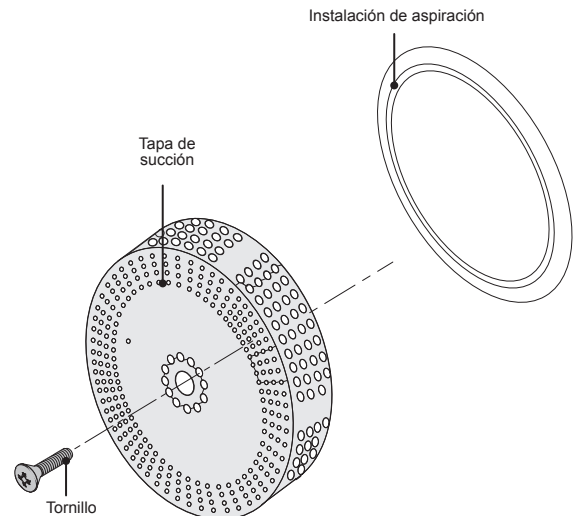
Los rayones menores que no penetran en el acabado de color se pueden eliminar lijando suavemente con un papel de lija húmedo o seco de grano 600. Restablezca el brillo con Mirror Glaze de Meguiar o con cera en pasta para automóviles. Será necesario volver a aplicar el acabado si los rayones y estrías penetran en la superficie acrílica. Llame a Jacuzzi Luxury Bath para localizar a un agente de servicio cercano a su domicilio.

## Tapa de succión / Mantenimiento Filtro

Limpie la tapa protectora de succión y el filtro retirando el cabello y los residuos cuando sea necesario (Figura 16).

- 1 Quite el tornillo central y retire la tapa protectora de succión.
- 2 Limpie la tapa protectora empujando los desechos de los orificios con una corriente de agua.
- 3 Luego de la limpieza, vuelva a colocar inmediatamente la tapa protectora de succión.

Fig. 16



### PRECAUCIÓN

Mantenga alejado el cabello a un mínimo de 6 pulgadas (152 mm) del accesorio de succión siempre que el sistema Whirlpool esté funcionando. El cabello que caiga por debajo de los hombros debe llevarse recogido o cubierto con una gorra de baño.

### PRECAUCIÓN

No haga funcionar el sistema Whirlpool sin la placa protectora de succión/el filtro en su ubicación. Es un dispositivo de seguridad y siempre debe estar colocado en el accesorio de succión para minimizar el riesgo posible de que el cabello o alguna parte del cuerpo queden atrapados.

### Skirt Panel Installation

**Para quitar el panel de la falda -**  
Sujete el borde de la falda del panel y tire para separar.

**Para volver a instalar el panel de la falda (Figura 17)**  
Alinear los seis (6) puestos en el panel con los seis tomas del receptor (6) en la bañera y presione en su lugar.

**Falda de ajuste del panel (Figura 18)**  
Inserte un destornillador en el enchufe del receptor, a través de la ranura en la parte trasera. Gire a la derecha para apretar y hacia la izquierda para aflojar

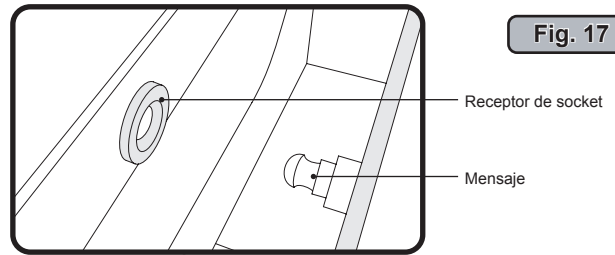


Fig. 17

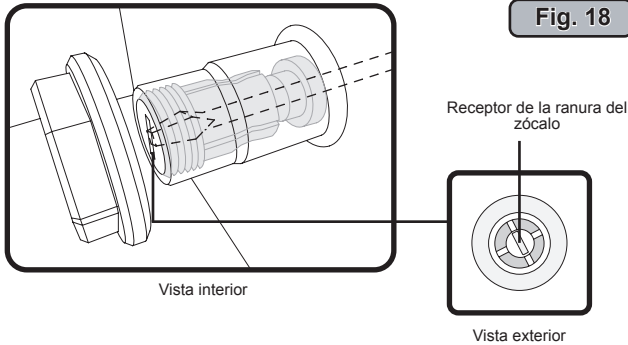
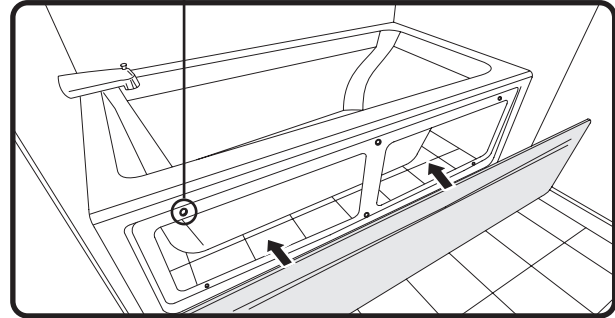


Fig. 18



### Bañeras con faldón opcional

Si está instalando un faldón integral, consulte la Guía de instalación de faldones antes de continuar.

### Procedimientos para resolver problemas

PROBLEMA	CAUSAS PROBABLES	RECURSO
Bomba / motor no arranca	No hay energía para la bomba / motor Bomba / motor no está conectado  Bomba / motor defectuoso	Restablecer GFCI Inserte el enchufe en la toma de  Póngase en contacto con Baño de Lujo jacuzzi @ 800-288-4002
Bomba / motor funciona, pero no aviones de funcionamiento son totalmente ajustables	Jets están cerrados  Cubierta de succión y el filtro puede estar obstruido	Abrir aviones girando hacia la izquierda  Con el motor apagado, retire la tapa de succión y el filtro y eliminar los residuos. Vuelva a colocar la tapa de succión antes de operar
Bomba / motor funciona pero el aire no se inyecta en el agua	Las válvulas de aire están cerradas	Abrir las válvulas de control
Fuga de agua de los sindicatos de la bomba	Aprietan demasiado, O-anillo puede ser pellizcado o insertado incorrectamente, undertightened	Afloje los sindicatos, visita y vuelva a colocar el anillo-O. Si el anillo ha sido pinchado fuera de forma, reemplace (diríjase a los números más abajo). Al apretar las tuercas de unión, sólo Apriete con sus manos.
El agua no mantener la temperatura	Final de carrera de alta en el calentador se ha disparado	Pulse el botón Reset en el calentador

**⚠ PRECAUCIÓN**

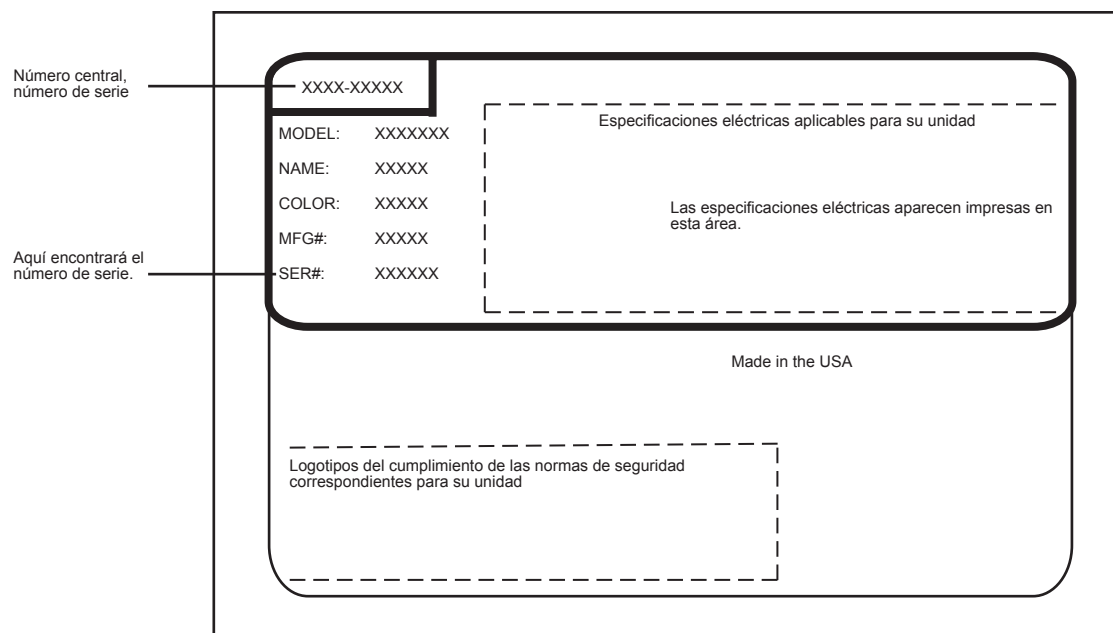
Si la unidad se encuentra dentro del período de garantía, comuníquese con jacuzzi de lujo Baño de Servicio de Apoyo al 1-800-288-4002 con el número de serie de su baño antes de empezar el trabajo. El número de serie se encuentra en el Pliego de Prescripciones / la placa de serie (número de la placa se encuentra detrás del área del equipo).

## Servicio técnico autorizado

Si necesita obtener los datos de una empresa de servicio técnico cercana a su domicilio o necesita ayuda con dudas relacionadas con el funcionamiento o mantenimiento, llame a nuestro Departamento de Asistencia de Servicio Técnico al 1-800-288-4002. Visite nuestro sitio web en <http://www.jacuzzi.com/> para conocer los productos y servicios y obtener una copia electrónica de estas Instrucciones para la instalación y el funcionamiento.

Cuando solicite un servicio o asistencia técnica, tenga a mano tanto el número de modelo como el número de serie de su unidad. Puede consultar esta información en la tarjeta de registro del producto que se proporciona junto con la unidad. Si extravió la tarjeta, puede obtener esta información en la etiqueta de especificaciones/número de serie que se encuentra en la unidad misma. La etiqueta está ubicada en la pared de la bañera cerca del motor del generador de burbujas de aire.

## ETIQUETA DE ESPECIFICACIONES/NÚMERO DE SERIE



LAS ESPECIFICACIONES DEL PRODUCTO ESTÁN SUJETAS A CAMBIO SIN PREVIO AVISO.

UTILICE EL MANUAL DE ESPECIFICACIONES TÉCNICAS PROVISTO CON EL PRODUCTO.

Jacuzzi® Luxury Bath ha obtenido los listados de los códigos (normas) aplicables que suelen estar disponibles a nivel nacional para productos de este tipo. Es responsabilidad del instalador o propietario determinar el cumplimiento de los códigos locales específicos antes de instalar el producto. Jacuzzi® Luxury Bath no realiza manifestaciones ni ofrece garantías con respecto al cumplimiento de ningún código, ni será responsable de dicho cumplimiento.

Jacuzzi® Luxury Bath  
 14525 Monte Vista Avenue  
 Chino, California, 91710  
 1-800-288-4002  
[www.jacuzzi.com](http://www.jacuzzi.com)

# GARANTÍA LIMITADA DE LUJO EN EL BAÑO JACUZZI

## FIRMA SERIE LINEA DE PRODUCTOS

### COBERTURA DE LA GARANTÍA

Jacuzzi Baño de Lujo (la "Compañía") ofrece la siguiente garantía limitada expresa al comprador original de cualquier producto Jacuzzi Baño de Lujo ("unidad ") que compren el producto para uso personal de la familia o individual ("usuario"). La Compañía reparará o reemplazará, a su discreción, la unidad o de su equipo de conformidad con los términos y condiciones siguientes.

### LIMITADA DE UN AÑO DE GARANTÍA DE BAÑOS

Nuestra garantía limitada de productos para el baño es de un (1) año. Nuestra garantía cubre la unidad y los componentes instalados de fábrica (por ejemplo, bomba, motor) contra defectos de materiales o la fabricación de buques. Cobertura de la garantía comienza en la fecha la unidad ha sido comprado por el usuario.

### NOVENTA DÍAS (PIEZAS SOLAMENTE) GARANTÍA LIMITADA DE OPCIONES Y ACCESORIOS

Nuestra garantía limitada de opciones y accesorios fabricados por la Compañía es de noventa (90) días para que las partes solamente. Nuestra garantía cubre las opciones y accesorios fabricados por la empresa (por ejemplo, juego de cascadas, vestiduras, faldas) contra defectos en materiales o mano de obra. Cobertura de la garantía comienza en la fecha de la opción o accesorio ha sido comprado por el usuario.

### LIMITACIONES DE LA GARANTÍA

Nuestra garantía limitada no cubre los defectos, daños o averías causadas por el distribuidor, instalador, el usuario, o cualquier otra persona, o como resultado de, entre otros, alguno de los siguientes: manejo descuidado (levantamiento de la unidad de fontanería, abrasión pulido, etc.), la modificación de cualquier tipo por cualquier razón (incluso modificaciones para cumplir con los códigos locales), instalación inadecuada (incluida la instalación no esté de acuerdo con las instrucciones y especificaciones que acompañan a la unidad); conexiones proporcionadas por el programa de instalación de los equipos, suministro de voltaje o modificación no autorizada eléctrica, uso inadecuado, mal funcionamiento o falta de mantenimiento adecuado, la operación de la unidad sin la cantidad mínima de agua o en la temperatura del agua inadecuada, el uso de productos de limpieza abrasivos o inadecuado, o causas de fuerza mayor, tales como rayos, inundaciones, terremotos, etc

Además, LA COMPAÑÍA NO SERÁ RESPONSABLE POR DAÑOS O pérdida o daño debido a cualquier causa (por ejemplo, daños por agua a la alfombra, el techo, la pérdida de uso, etc), incluyendo su propia negligencia, daños a, el respeto, o como resultado de las partes cromadas de productos químicos de la piscina y / o spa se utilizan en la unidad, equipo de baño opcional no fabricado por la Compañía pero provisto por el Distribuidor, instalador o la Compañía, el uso previo de la unidad como una pantalla, o defectos que deberían haber sido descubierto antes de la instalación.

Esta garantía limitada no incluye: mano de obra, transporte u otros costos incurridos en la extracción y / o reinstalación de la unidad original y / o la instalación de una unidad de reemplazo, los costes relativos a la obtención de acceso para la reparación, o daño por pérdida de uso, incluyendo la pérdida de ventas, utilidad o ventaja comercial de cualquier tipo en cualquier circunstancia. Las unidades quedan excluidas de cualquier cobertura de garantía si cualquier adición, supresión o modificación de cualquier tipo se ha hecho a la unidad (o para cualquiera de los componentes).

Cobertura de la garantía se proporciona en los Estados Unidos de América solamente.

### EXCLUSIÓN DE GARANTÍAS

LAS GARANTÍAS IMPLÍCITAS DE COMERCIABILIDAD O IDONEIDAD PARA UN PROPÓSITO EN PARTICULAR O EN CONJUNTO CON EL MÁXIMO GRADO PERMITIDO POR LA LEY.

AVISO: ESTA GARANTÍA LE OTORGA DERECHOS LEGALES ESPECÍFICOS, Y USTED TAMBIÉN PUEDE TENER OTROS DERECHOS QUE VARIAN DE ESTADO A ESTADO. NO EXISTEN GARANTÍAS APLICABLES A LOS PRODUCTOS JACUZZI BAÑO DE LUJO, EXCEPTO LO QUE AQUÍ SE EXPRESAN O LOS IMPLÍCITOS EN LAS LEYES ESTATALES Y FEDERALES. LA SOCIEDAD NO SERÁ RESPONSABLE POR CUALQUIER DECLARACIÓN O DECLARACIONES HECHAS EN CUALQUIER FORMA QUE VAN MÁS ALLÁ, SON MÁS AMPLIOS QUE O SON INCOMPATIBLES CON CUALQUIER LITERATURA AUTORIZADA QUE PROPORCIONA LA COMPAÑÍA.

ALGUNOS ESTADOS NO PERMITEN LIMITACIONES SOBRE LA DURACIÓN DE UNA GARANTÍA IMPLÍCITA O LA EXCLUSIÓN O LIMITACIÓN DE DAÑOS INCIDENTALES O CONSECUENTES, DE MODO QUE LAS LIMITACIONES Y EXCLUSIONES NO SE APLIQUEN A USTED.

### DEVOLUCIÓN DE TARJETA DE GARANTÍA

La adjunta con la dirección Tarjeta de garantía debe ser llenado por el comprador dentro de los treinta (30) días desde la compra y enviarse a Jacuzzi Baño de Lujo para que esta garantía sea efectiva.

### DEVOLUCIÓN DE REGISTRO DE GARANTÍA

Para registrar su producto, por favor visite nuestro sitio web Jacuzzi.com, haga clic en el baño y duchas, a continuación, seleccione Garantía en Línea de la parte superior de la página. A continuación se le pedirá que introduzca su número de serie del producto seguido de su información de registro de garantía. O también pueden inscribirse completando el registro a continuación y enviarlo por correo al jacuzzi a la dirección indicada más abajo.

La adjunta de registro de garantía debe ser llenado por el comprador dentro de los treinta (30) días de la compra y recibido por Baño de Lujo jacuzzi para que esta garantía sea efectiva.

### RESPONSABILIDADES DE LOS DEMÁS

Inspección de la unidad antes de la instalación es responsabilidad del instalador o del contratista constructor que actúen en nombre del usuario. Ellos son responsables de garantizar la unidad está libre de defectos o daños. Se ponen avisos en y en la unidad y en el envase para advertir al instalador de esta responsabilidad. En el caso de un problema, la unidad no debe estar instalado. La Compañía no se hace responsable de fallas o daños que podría haber sido descubierto, reparado o evitado mediante una inspección apropiada y pruebas (incluidas las pruebas de agua adecuado) antes de la instalación.

Los daños que ocurran durante el transporte es responsabilidad de la compañía. El usuario o instalador DEBE abrir la caja e inspeccionar la unidad de los daños cuando se entrega. Si el daño es descubierto, debe ser reportado inmediatamente al vendedor y al transportista por escrito, y pidió una inspección. El incumplimiento de la compañía para responder debe ser reportado al vendedor y el transportista. Los reclamos de flete deben presentarse inmediatamente después.

Se produjo el daño a la unidad durante la instalación es responsabilidad del instalador y / o contratista de la construcción y el daño que ocurre a partir de entonces es responsabilidad del usuario.

El fallo de cualquier equipo opcional son exclusiva responsabilidad del fabricante del equipo, excepto en lo indicado anteriormente y no se extenderá o se aplican a las piezas de repuesto para las opciones y accesorios. Las piezas de reemplazo estará cubierto por el fabricante del equipo original.

El distribuidor o vendedor es responsable de conocer los requisitos del código local y notificar al contratista la instalación y / o el usuario de estos requisitos en el momento de la compra. La Compañía no es responsable de los gastos de modificar cualquier producto para obtener la aprobación del código, como ciudad, condado, estado o código de construcción en EE.UU. o los códigos municipales o provinciales en Canadá.

### GARANTÍA DE SERVICIO

Para beneficio del cliente, la Compañía mantiene una lista de proveedores de servicio independientes para realizar las reparaciones requeridas para el servicio de garantía. Dichas empresas no son agentes o representantes de la Sociedad y no puede obligar a la empresa por medio de palabras o la conducta.

La Compañía proporcionará el servicio de garantía descrito anteriormente cuando las siguientes condiciones se han cumplido: la falla es de la naturaleza o tipo de los cubiertos por la garantía, el usuario ha informado a un distribuidor autorizado de Jacuzzi Baño de Lujo Agente de Servicio o Departamento de Garantías Representante de la naturaleza de el problema durante el período de garantía; pruebas concluyentes (por ejemplo, el comprobante de compra o instalación) se proporciona a la anterior por el usuario de que la falla ocurrió o se descubrió dentro del período de garantía, una persona autorizada de servicio independiente o representante de la Compañía se ha permitido para inspeccionar la unidad durante las horas regulares dentro de un plazo razonable después de que se informó por parte del Usuario. Con el fin de obtener servicio de garantía, en contacto con jacuzzi Baño de Lujo en:

jacuzzi.com

o

Garantía del Departamento de Servicio  
14525 Avenida Monte Vista  
Chino, California 91710  
Llame al: 1- (800) 288-4002

Para obtener el reemplazo de la garantía para los componentes instalados de fábrica para conocer las opciones suministrado por la compañía y los accesorios fabricados y suministrados por la compañía, llame o escriba a la anterior. Proporcionar una descripción del problema y un comprobante de compra. Se le indicará cómo obtener su reemplazo y para volver, a su cargo, el componente defectuoso (s) opción (s) o accesorio (s).

Todas las piezas de repuesto, equipos y reparaciones asumirán el período de garantía restante de la pieza (s) sustituido.

La obligación de la Compañía de garantía se liquidará la oferta de reemplazo o reparación. La negativa del cliente a aceptar la oferta termina la obligación de la Sociedad de la garantía.



Jacuzzi® Luxury Bath  
14525 Monte Vista Avenue  
Chino, California 91710



## TARJETA DE REGISTRO DE LA GARANTÍA



Para que esta garantía entre en vigencia, visite nuestro sitio web en [www.jacuzzi.com](http://www.jacuzzi.com) o llene esta tarjeta y envíela por correo a la dirección impresa al dorso dentro de los treinta (30) días a partir de la fecha de compra.

Nombre del comprador \_\_\_\_\_

Dirección del comprador \_\_\_\_\_

Ciudad \_\_\_\_\_ Estado \_\_\_\_\_ Código postal \_\_\_\_\_

Teléfono de la casa \_\_\_\_\_ Teléfono celular \_\_\_\_\_

Correo electrónico \_\_\_\_\_

Fecha de compra \_\_\_\_\_

Nombre del modelo \_\_\_\_\_

Número de serie \_\_\_\_\_

Nombre del distribuidor \_\_\_\_\_

Dirección del distribuidor \_\_\_\_\_

1. ¿Cómo se enteró por primera vez de este producto Jacuzzi®?

- Anuncio publicitario  Artículo en revista/periódico
- Visitó al distribuidor/proveedor de instalaciones sanitarias
- Páginas amarillas
- Constructor/fontanero/remodelador  Decorador/arquitecto
- Visitó tienda minorista/de artículos para el hogar
- Referido por otros... Amigo/pariente/conocido
- Otro (Describa) \_\_\_\_\_

2. ¿Quién fue el primero en darle información específica sobre este producto (especificaciones, precios, etc.)?

- Distribuidor/proveedor de instalaciones sanitarias  Constructor
- Remodelador
- Contratista de fontanería  Tienda minorista/de artículos para el hogar
- Decorador/arquitecto  Ya estaba instalado

3. ¿Cuál fue el principal motivo para la compra?

- Estilo  Servicio de garantía  Características del producto
- Marca  Precio  Hidroterapia
- Reventa de la casa \_\_\_\_\_
- Otro \_\_\_\_\_

4. ¿Quién tomó la decisión final de qué producto comprar?

- Usted mismo  Cónyuge  Usted y su cónyuge
- Otro miembro de la familia  Diseñador/arquitecto
- Constructor/fontanero/remodelador  Ya estaba instalado

5. ¿Quién lo instaló? ( ) Ya estaba instalado/casa nueva

- Contratista/fontanero durante la remodelación
- Usted/cónyuge durante la remodelación
- Otro \_\_\_\_\_

6. ¿Cuál es el valor de mercado actual de esta propiedad?

Estime en \$ \_\_\_\_\_

7. ¿Qué edad tiene el jefe de familia? \_\_\_\_\_ años

8. ¿Qué otros fabricantes tuvieron en cuenta?

- Eljer  Lasco  Price Pfister  Aqua Glass
- Kohler  American Standard  Sterling
- Otro (especifique) \_\_\_\_\_

9. ¿Cuánto tiempo estuvo buscando antes de comprar la unidad?

- 1 día  de 2 a 6 meses
- de 2 a 7 días  de 6 meses a 1 año
- de 1 a 2 semanas  de 1 a 2 años
- de 2 a 4 semanas  más de 2 años
- de 1 a 2 meses

10. Aproximadamente, ¿cuánto tiempo lleva viviendo en esta casa \_\_\_\_\_?

11. Indique, aproximadamente, el ingreso anual total de su grupo familiar.

- Hasta \$24.999  de \$50.000 a \$74.999
- De \$25.000 a \$29.999  de \$75.000 a \$99.999
- De \$30.000 a \$39.999  de \$100.000 a \$149.999
- De \$40.000 a \$49.999  más de \$150.000

12. ¿Cómo fue el proceso de compra?

- Muy fácil  Fácil  Difícil  Muy difícil

13. Desde el punto de vista técnico, ¿cuánto conocía usted sobre el sistema de chorros Jacuzzi® patentado antes de realizar la compra?

- No conocía nada  Conocía algo  Conocía mucho

Garantía limitada  
de noventa días  
únicamente para  
piezas sobre  
accesorio(s)