



SIGNATURE™ COLLECTION

SIGNATURE™ COLLECTION TECHNICAL SPECIFICATIONS MANUAL

Jacuzzi Luxury Bath

14525 Monte Vista Avenue
Chino, CA 91710
1-800-288-4002
www.jacuzzi.com

Technical Specifications

NOTE

Read complete instructions before beginning installation.

Each bathtub arrives ready for installation, completely equipped with blower motor, pump/motor assembly, heater (if applicable), and plumbing necessary for operation.

Remove the bathtub from the carton. Retain the shipping carton until satisfactory inspection of the product has been made. Do not lift the bathtub by the plumbing or wiring at any time; handle by the shell only.

Immediately upon receipt, inspect the shell before installing. Should inspection reveal any damage or defect in the finish, do not install the bathtub. Damage or defect to the finish claimed after the bathtub is installed is excluded from the warranty.

Jacuzzi Luxury Bath's responsibility for shipping damage ceases upon delivery of the products in good order to the carrier. Refer any claims for damage to the carrier. For definitions of warranty coverage and limitations, refer to the published warranty information packed with the product.

All bathtub units are factory tested for proper operation and watertight connections prior to shipping.

NOTE

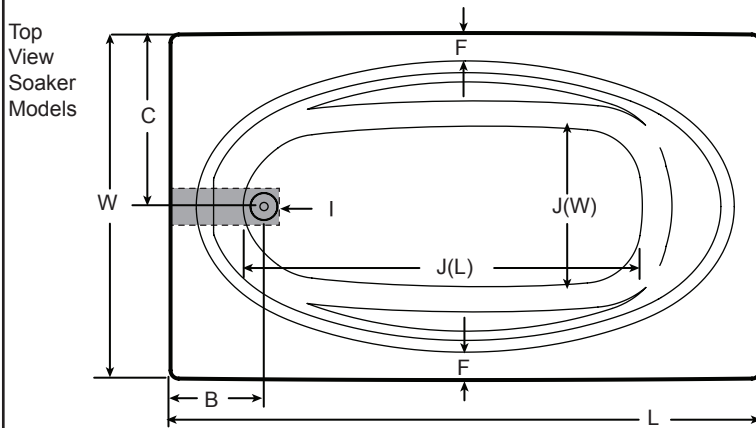
Prior to installation, the bathtub must be filled with water and operated to check for leaks that may have resulted from shipping damage or mishandling. Jacuzzi Luxury Bath is not responsible for any defect that could have been discovered, repaired, or avoided by following this inspection and testing procedure.

Signature™ Collection Oval in Rectangle Drop-in Soaker and Whirlpool Bathtubs

Letter	Description	SOAKER MODELS		WHIRLPOOL MODELS	
		J4D6042B	J4D7242B	J4D6042W	J4D7242W
-	Drain/Motor Location	LH / RH Drain		LH / RH Drain & Right or Left Side Motor	
-	Cutout	58" x 40" (1473 mm x 1016 mm)	70" x 40" (1778 mm x 1016 mm)	58" x 40" (1473 mm x 1016 mm)	70" x 40" (1778 mm x 1016 mm)
-	Total Weight	863 lbs (391 kg)	966 lbs (438 kg)	879 lbs (399 kg)	982 lbs (445 kg)
-	Floor Loading	49.3 lb/ft ² (241 kg/m ²)	46 lb/ft ² (255 kg/m ²)	50.2 lb/ft ² (245 kg/m ²)	46.7 lb/ft ² (228 kg/m ²)
-	Operating Gallons (Max)	66 gallons (250 liters)	78 gallons (295 liters)	66 gallons (250 liters)	78 gallons (295 liters)
-	Product Weight	63 lbs (29 kg)	66 lbs (30 kg)	79 lbs (36 kg)	82 lbs (37 kg)
-	Soaking Depth	15" (381 mm)		15" (381 mm)	
L	Outer Length	60" (1524 mm)	72" (1829 mm)	60" (1524 mm)	72" (1829 mm)
W	Outer Width	42" (1067 mm)		42" (1067 mm)	
H	Overall Height	21" (533 mm)		21" (533 mm)	
A	Overflow Height	16.25" (413 mm)		16.25" (413 mm)	
B	Long Edge to Drain Center	10.40" (264 mm)	11.40" (290 mm)	10.40" (264 mm)	11.40" (290 mm)
C	Short Edge to Drain Center	21" (533 mm)		21" (533 mm)	
D	Drain Shoe Length	8.40" (213 mm)	9.40" (239 mm)	8.40" (213 mm)	9.40" (239 mm)
E	Deck/Flange Height	2" (51 mm)		2" (51 mm)	
F	Deck Width	3" (76 mm)		3" (76 mm)	
G	Service Access Dimensions	N/A		12" x 18" (305 mm x 457 mm)	
I	Floor Cutout for Drain	12" x 4" (305 mm x 102 mm)			
J	Interior Dimensions (bottom of bath) J(L) x J(W)	42" x 24" (1067 mm x 610 mm)	52.5" x 22" (1334 mm x 559 mm)	42" x 24" (1067 mm x 610 mm)	52.5" x 22" (1334 mm x 559 mm)

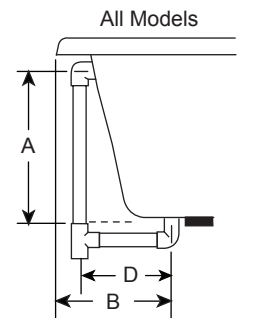
WHIRLPOOL MODELS	
Each component requires a separate, dedicated GFCI protected circuit	
Model with components	GFCI Outlet (60Hz)
Motor/Pump	120V 15A
Heater (if available)	120V 15A

KEY DIMENSIONS* [NOTE: The overall dimensions are nominal with a tolerance of +0 and - .25" (6mm).]

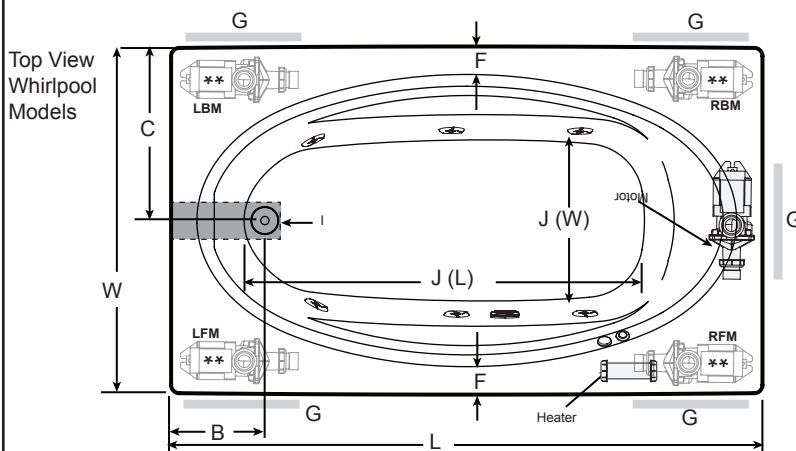


NOTE

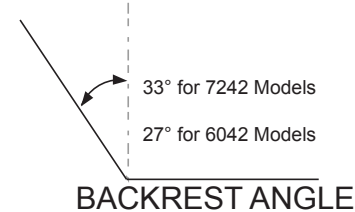
When ordering integral 3-tile flange (J4T), flange height on 3-tile flange is 1.25" (32mm) from deck.



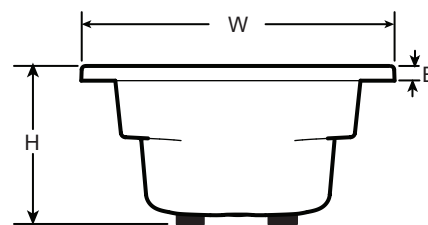
DRAIN/OVERFLOW



**Alternate Pump Locations



BACKREST ANGLE

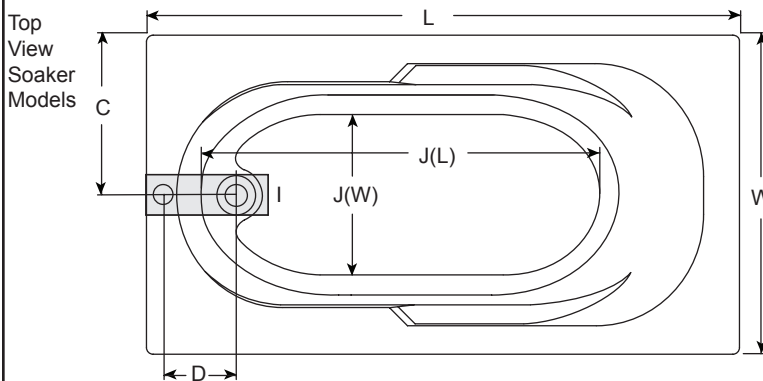


END VIEW

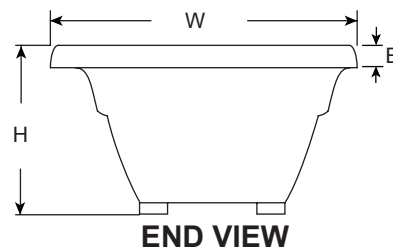
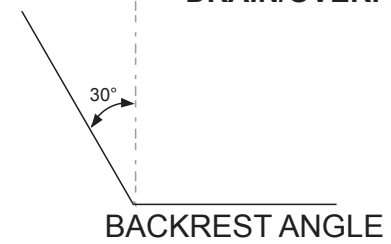
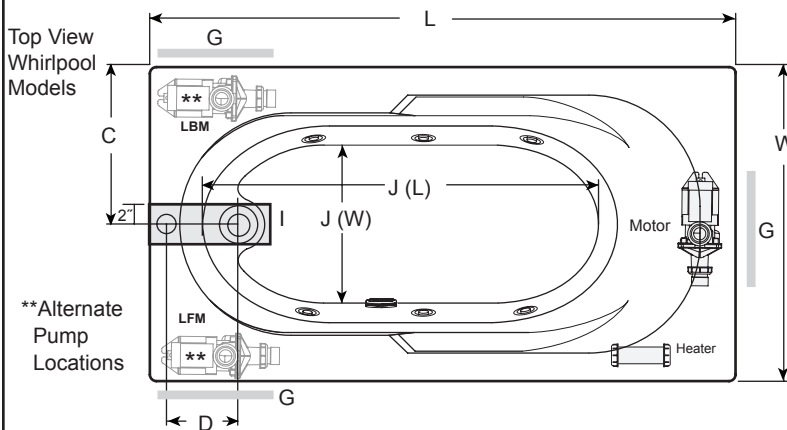
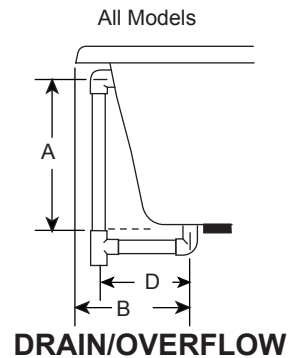
NOTE: Drawings not to scale.

Signature™ Collection Rectangle Drop-in Soaker and Whirlpool Bathtubs

Letter	Description	SOAKER MODELS			WHIRLPOOL MODELS			WIHIRLPOOL MODELS
		J2D6032B	J2D6036B	J2D7236B	J2D6032W	J2D6036W	J2D7236W	
-	Drain/Motor Location	LH / RH Drain			LH / RH Drain & Right or Left Side Motor			Each component requires a separate, dedicated GFCI protected circuit
-	Cutout	58" x 30" (1473 mm x 762 mm)	58" x 34" (1473 mm x 864 mm)	70" x 34" (1778 mm x 864 mm)	58" x 30" (1473 mm x 762 mm)	58" x 34" (1473 mm x 864 mm)	70" x 34" (1778 mm x 864 mm)	
-	Total Weight	678 lbs (307 kg)	752 lbs (341 kg)	790 lbs (358 kg)	697 lbs (316 kg)	766 lbs (347 kg)	805 lbs (365 kg)	Model with components
-	Floor Loading	51.2 lb/ft ² (250 kg/m ²)	50.7 lb/ft ² (247 kg/m ²)	44.5 lb/ft ² (217 kg/m ²)	52.6 lb/ft ² (257 kg/m ²)	51.7 lb/ft ² (252 kg/m ²)	45.4 lb/ft ² (222 kg/m ²)	
-	Operating Gallons (Max)	46 gallons (174 liters)	54 gallons (204 liters)	58 gallons (220 liters)	46 gallons (174 liters)	54 gallons (204 liters)	58 gallons (220 liters)	Motor/Pump
-	Product Weight	45 lbs (20 kg)	52 lbs (24 kg)	57 lbs (26 kg)	64 lbs (29 kg)	66 lbs (30 kg)	72 lbs (33 kg)	
-	Soaking Depth	14.5" (368 mm)	13.8" (351 mm)		14.5" (368 mm)	13.8" (351 mm)		
L	Outer Length	60" (1524 mm)		72" (1829 mm)	60" (1524 mm)		72" (1829 mm)	Heater (if available)
W	Outer Width	32" (813 mm)	36" (914 mm)		32" (813 mm)	36" (914 mm)		
H	Overall Height	19.25" (489 mm)			19.25" (489 mm)			
A	Overflow Height	15.25" (387 mm)	15.37" (391 mm)		15.25" (387 mm)	15.38" (391 mm)		
B	Long Edge to Drain Center	8.62" (219 mm)		9.50" (241 mm)	8.63" (219 mm)		9.50" (241 mm)	
C	Short Edge to Drain Center	16" (406 mm)	18" (457 mm)		16" (409 mm)	18" (457 mm)		
D	Drain Shoe Length	6.50" (165 mm)		10.13" (257 mm)	6.50" (165 mm)		10.13" (257 mm)	
E	Deck/Flange Height	2" (51 mm)			2" (51 mm)			
F	Deck Width	3" (76 mm)			3" (76 mm)			
G	Service Access Dimensions	N/A			12" x 18" (305 mm x 457 mm)			
I	Floor Cutout for Drain	12" x 4" (305 mm x 102 mm)			12" x 4" (305 mm x 102 mm)			
J	Interior Dimensions (bottom of bath) J(L) x J(W)	41" x 19" (1041 mm x 483 mm)	41" x 23" (1041 mm x 584 mm)	52.5" x 22" (1334 mm x 559 mm)	41" x 19" (1041 mm x 483 mm)	41" x 23" (1041 mm x 584 mm)	52.5" x 22" (1334 mm x 559 mm)	

KEY DIMENSIONS* [NOTE: The overall dimensions are nominal with a tolerance of +0 and -.25" (6mm).]

NOTE

When ordering integral 3-tile flange (J2T), flange height on 3-tile flange is 1.25" (32mm) from deck.

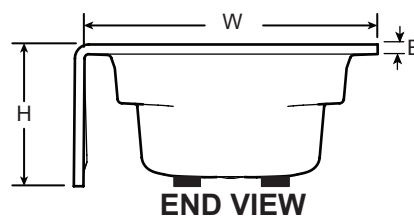
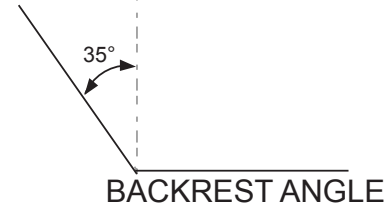
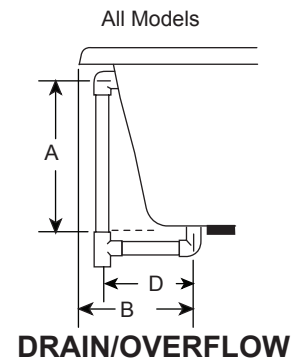
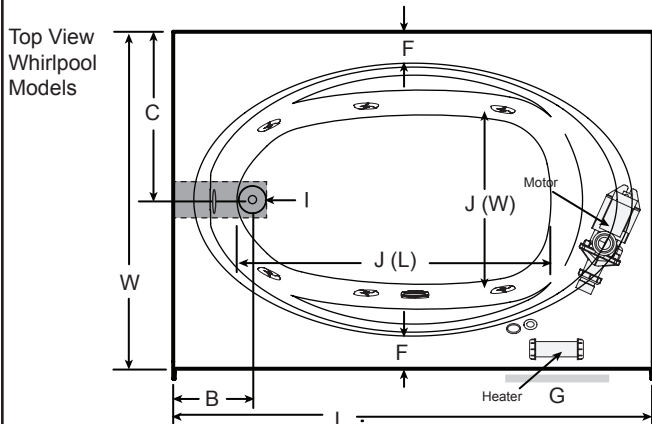
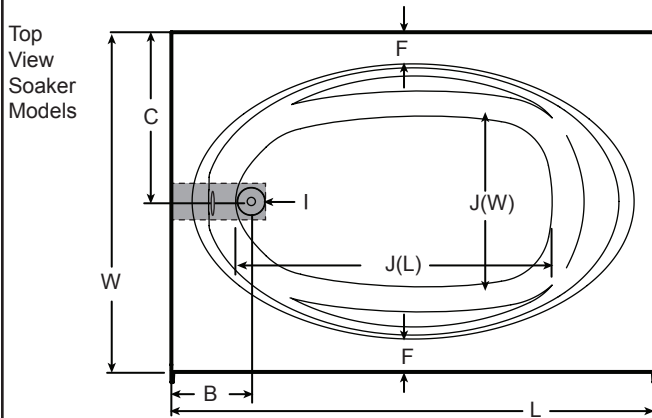


NOTE: Drawings not to scale.

Signature™ Collection Oval in Rectangle Skirted Soaker and Whirlpool Bathtubs

Letter	Description	SOAKER MODEL J4S6042B	WHIRLPOOL MODEL J4S6042W	WHIRLPOOL 6042 MODEL
-	Drain/Motor Location	LH / RH Drain	LH / RH Drain & Right or Left Side Motor	
-	Cutout	N/A	N/A	
-	Total Weight	786 lbs (356 kg)	801 lbs (363 kg)	
-	Floor Loading	44.9 lb/ft ² (219 kg/m ²)	45.8 lb/ft ² (224 kg/m ²)	
-	Operating Gallons (Max)	56 gallons (212 liters)	56 gallons (212 liters)	Model with components
-	Product Weight	70 lbs (32 kg)	85 lbs (39 kg)	
-	Soaking Depth	12.75" (323 mm)	12.75" (323 mm)	Motor/Pump
L	Outer Length	60" (1524 mm)	60" (1524 mm)	
W	Outer Width	42" (1067 mm)	42" (1067 mm)	Heater (if available)
H	Overall Height	20.25" (514 mm)	20.25" (514 mm)	
A	Overflow Height	14" (355 mm)	14" (355 mm)	
B	Long Edge to Drain Center	9.90" (251 mm)	9.90" (251 mm)	
C	Short Edge to Drain Center	21" (533 mm)	21" (533 mm)	
D	Drain Shoe Length	8.50" (216 mm)	8.50" (216 mm)	
E	Deck/Flange Height	1.25" (32 mm)	1.25" (32 mm)	
F	Deck Width	3.88" (99 mm)	3.88" (99 mm)	
G	Service Access Dimensions	N/A	Removeable Skirt Access	
I	Floor Cutout for Drain	12" x 4" (305 mm x 102 mm)	12" x 4" (305 mm x 102 mm)	
J	Interior Dimensions (bottom of bath) J(L) x J(W)	42" x 24" (1067 mm x 610 mm)	42" x 24" (1067 mm x 610 mm)	

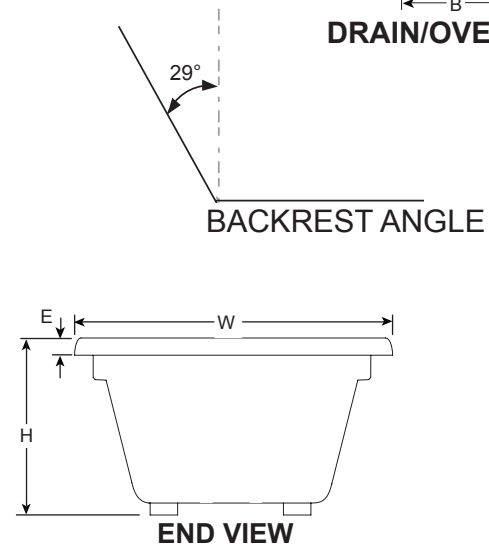
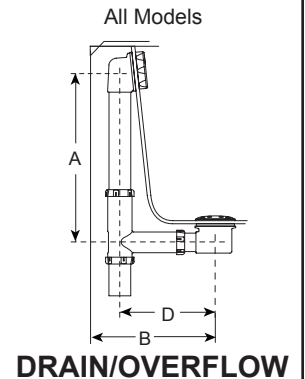
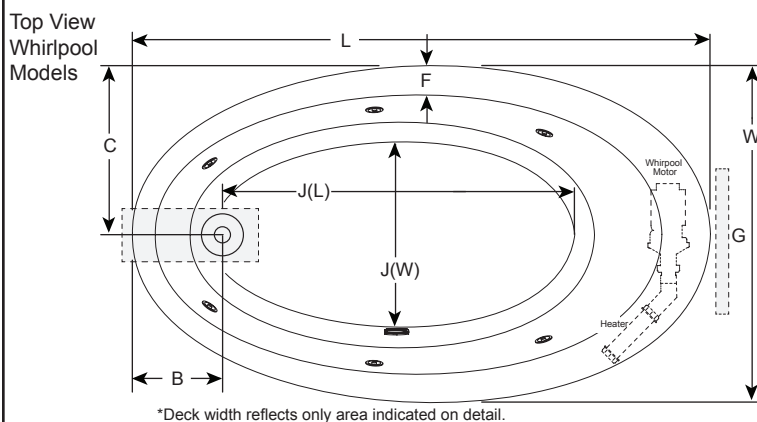
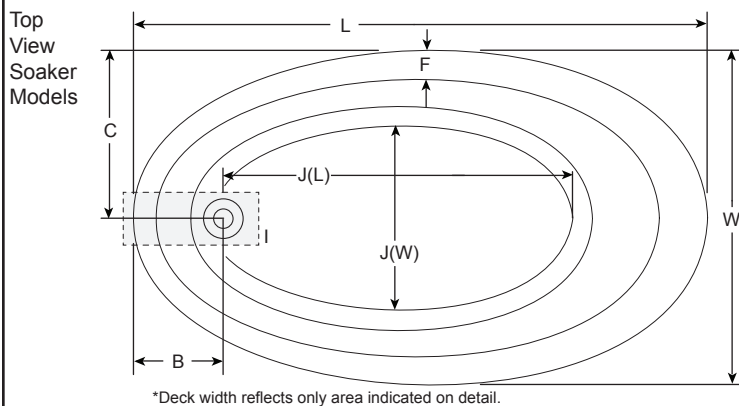
KEY DIMENSIONS* [NOTE: The overall dimensions are nominal with a tolerance of +0 and -.25" (6mm).]



NOTE: Drawings not to scale.

Signature™ Collection Oval Drop-In Soaker And Whirlpool Bathtubs

Letter	Description	SOAKER MODEL J3D6638B	WHIRLPOOL MODEL J3D6638W	WHIRLPOOL 6042 MODEL
-	Drain/Motor Location	LH / RH Drain	LH / RH Drain & Right or Left Side Motor	
-	Whirlpool Pump Location	N/A	Opposite end of drain location	
-	Cutout	P/N FX40000	P/N FX40000	
-	Total Weight	805 lbs (365 kg)	823 lbs (373 kg)	
-	Floor Loading	46 lb/ft ² (226 kg/m ²)	46 lb/ft ² (231 kg/m ²)	Model with components
-	Operating Gallons (Max)	56 Gal. (212 liters)	56 Gal. (212 liters)	
-	Product Weight	89 lbs (40 kg)	107 lbs (49 kg)	Motor/Pump
-	Soaking Depth	15.25" (387 mm)	15.25" (387 mm)	
L	Outer Length	66" (1676 mm)	66" (1676 mm)	Heater (if available)
W	Outer Width	38" (965 mm)	38" (965 mm)	
H	Overall Height	19.50" (495 mm)	19.50" (495 mm)	
A	Overflow Height	17.50" (445 mm)	17.50" (445 mm)	
B	Long Edge to Drain Center	9.50" (241 mm)	9.50" (241 mm)	
C	Short Edge to Drain Center	19.00" (483 mm)	19.00" (483 mm)	
D	Drain Shoe Length	6.75" (171 mm)	6.75" (171 mm)	
E	Deck/Flange Height	2" (51 mm)	2" (51 mm)	
F	Deck Width	3" (76 mm)	3" (76 mm)	
G	Service Access Dimensions	N/A	12" x 18" (305 mm x 457 mm)	
I	Floor Cutout for Drain	12" x 4" (305 mm x 102 mm)	12" x 4" (305 mm x 102 mm)	
J	Interior Dimensions (bottom of bath) J(L) x J(W)	25" x 45" (635 mm x 1143 mm)	25" x 45" (635 mm x 1143 mm)	

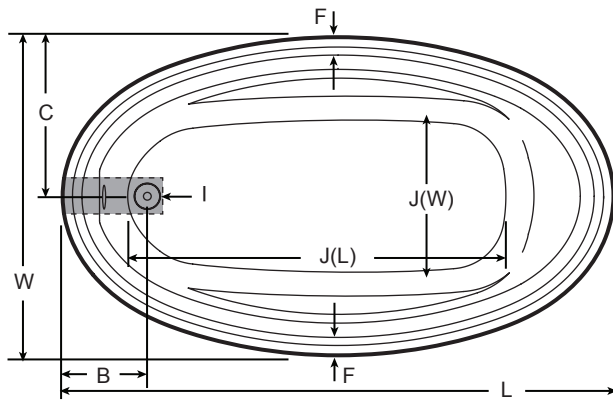
KEY DIMENSIONS* [NOTE: The overall dimensions are nominal with a tolerance of +0 and -.25" (6mm).]


Signature™ Collection Oval Drop-in Soaker And Whirlpool Bathtubs

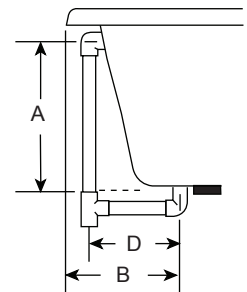
Letter	Description	SOAKER MODELS		WHIRLPOOL MODELS		WIHIRLPOOL MODELS
		J3D6042B	J3D7242B	J3D6042W	J3D7242W	
-	Drain/Motor Location	LH / RH Drain		LH / RH Drain & Right or Left Side Motor		Each component requires a separate, dedicated GFCI protected circuit
-	Cutout	P/N NB88000		P/N NB88000		
-	Total Weight	857 lbs (389 kg)	962 lbs (436 kg)	873 lbs (396 kg)	978 lbs (444 kg)	
-	Floor Loading	51 lb/ft ² (249 kg/m ²)	45.8 lb/ft ² (224 kg/m ²)	52 lb/ft ² (254 kg/m ²)	46.6 lb/ft ² (227 kg/m ²)	
-	Operating Gallons (Max)	66 gallons (250 liters)	78 gallons (295 liters)	66 gallons (250 liters)	78 gallons (295 liters)	Model with components
-	Product Weight	57 lbs (26 kg)	62 lbs (28 kg)	73 lbs (33 kg)	78 lbs (35 kg)	
-	Soaking Depth	15.5" (394 mm)	15" (381 mm)	15.5" (394 mm)	15" (381 mm)	Motor/Pump
L	Outer Length	59" (1499 mm)	71" (1803 mm)	59" (1499 mm)	71" (1803 mm)	
W	Outer Width	41" (1041 mm)		41" (1041 mm)		Heater (if available)
H	Overall Height	21" (533 mm)		21" (533 mm)		
A	Overflow Height	16.25" (413 mm)		16.25" (413 mm)		120V 15A
B	Long Edge to Drain Center	9.90" (251 mm)	10.90" (277 mm)	9.90" (251 mm)	10.90" (277 mm)	
C	Short Edge to Drain Center	20.50" (521 mm)		20.50" (521 mm)		
D	Drain Shoe Length	7.90" (201 mm)	8.90" (216 mm)	7.90" (201 mm)	8.90" (216 mm)	
E	Deck/Flange Height	2" (51 mm)		2" (51 mm)		
F	Deck Width	2.31" (53 mm)		2.31" (53 mm)		
G	Service Access Dimensions	N/A		12" x 18" (305 mm x 457 mm)		
I	Floor Cutout for Drain	12" x 4" (305 mm x 102 mm)		12" x 4" (305 mm x 102 mm)		
J	Interior Dimensions (bottom of bath) J(L) X J(W)	42" x 24" (1067 mm x 610 mm)	52.5" x 22" (1334 mm x 559 mm)	42" x 24" (1067 mm x 610 mm)	52.5" x 22" (1334 mm x 559 mm)	

KEY DIMENSIONS* [NOTE: The overall dimensions are nominal with a tolerance of +0 and -.25" (6mm).]

Top View Soaker Models

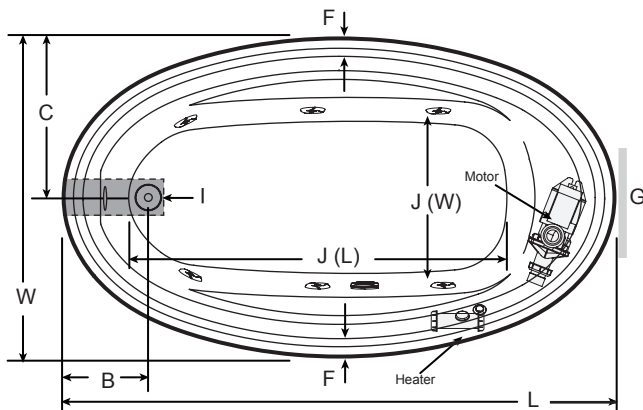


All Models



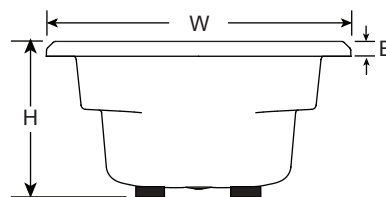
DRAIN/OVERFLOW

Top View Whirlpool Models



33° for 7242 Models
27° for 6042 Models

BACKREST ANGLE

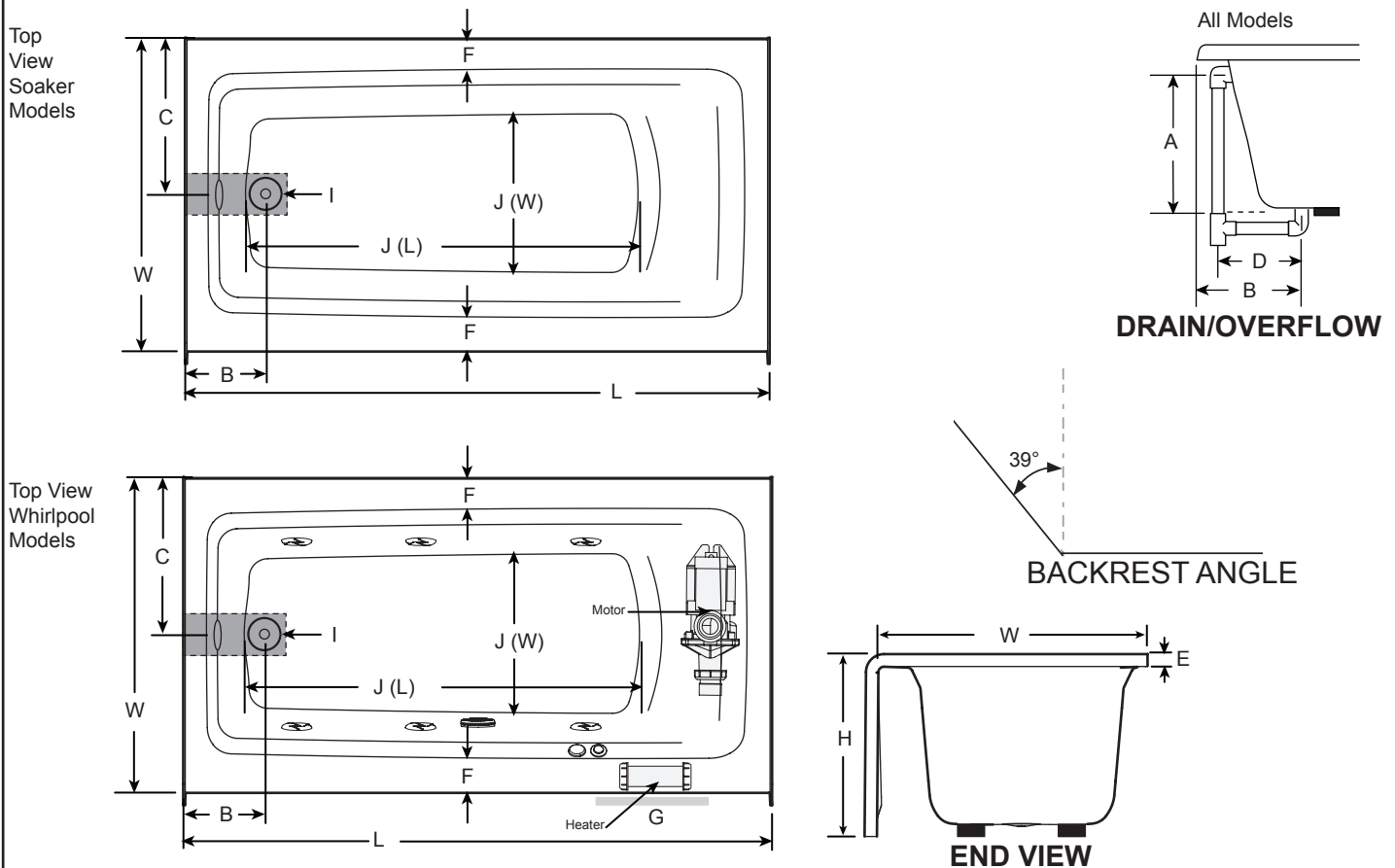


END VIEW

NOTE: Drawings not to scale.

Signature™ Collection Rectangle Skirted Soaker And Whirlpool Bathtubs

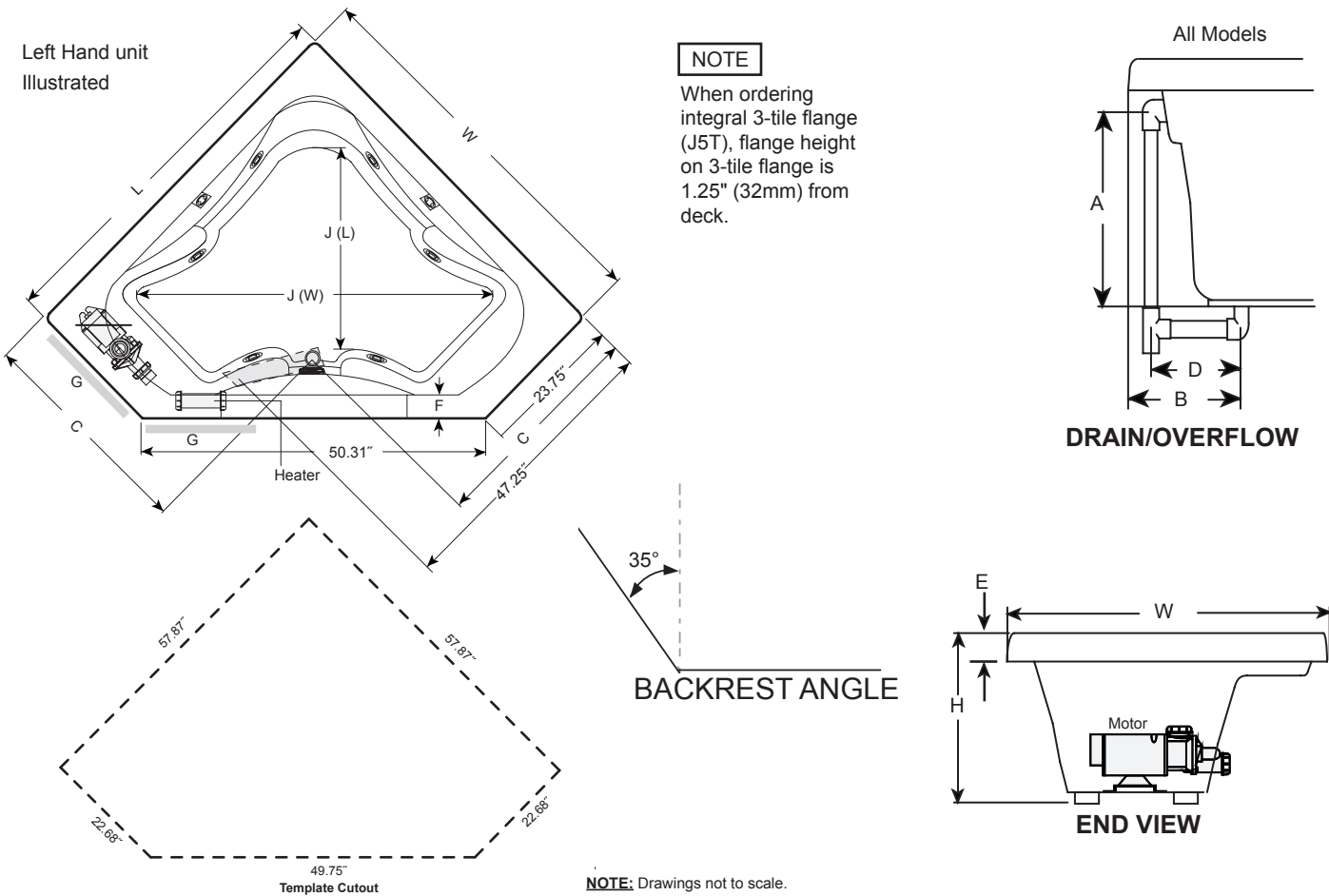
Letter	Description	SOAKER MODELS			WHIRLPOOL MODELS			WiHIRLPOOL MODELS
		J1S6030B	J1S6032B	J1S6036B	J1S6030W	J1S6032W	J1S6036W	
-	Drain/Motor Location	LH / RH Drain			LH / RH Drain & Right or Left Side Motor			Each component requires a separate, dedicated GFCI protected circuit
-	Cutout	N/A			N/A			
-	Total Weight	748 lbs (339 kg)	749 lbs (339 kg)	829 lbs (376 kg)	763 lbs (346 kg)	764 lbs (346 kg)	843 lbs (382 kg)	Model with components
-	Floor Loading	60 lb/ft ² (292 kg/m ²)	56 lb/ft ² (274 kg/m ²)	55 lb/ft ² (270 kg/m ²)	61 lb/ft ² (298 kg/m ²)	57 lb/ft ² (280 kg/m ²)	56 lb/ft ² (274 kg/m ²)	
-	Operating Gallons (Max)	53 gallons (201 liters)		62 gallons (235 liters)	53 gallons (201 liters)		62 gallons (235 liters)	
-	Product Weight	55 lbs (25 kg)	56 lbs (25 kg)	61 lbs (28 kg)	70 lbs (32 kg)	71 lbs (32 kg)	75 lbs (34 kg)	Motor/Pump
-	Soaking Depth	14" (356 mm)			14" (356 mm)			
L	Outer Length	60" (1524 mm)			60" (1524 mm)			
W	Outer Width	30" (762 mm)	32" (813 mm)	36" (914 mm)	30" (762 mm)	32" (813 mm)	36" (914 mm)	Heater (if available)
H	Overall Height	20" (508 mm)			20" (508 mm)			
A	Overflow Height	15.25" (387 mm)			15.25" (387 mm)			
B	Long Edge to Drain Center	8.25" (210 mm)			8.25" (210 mm)			
C	Short Edge to Drain Center	16" (406 mm)		18" (457 mm)	16" (406 mm)		18" (457 mm)	
D	Drain Shoe Length	6.25" (159 mm)			6.25" (159 mm)			
E	Deck/Flange Height	1" (25 mm)			1" (25 mm)			
F	Deck Width	3.88" (99 mm)			3.88" (99 mm)			
G	Service Access Dimensions	N/A			Removable Skirt Access			
I	Floor Cutout for Drain	12" x 4" (305 mm x 102 mm)			12" x 4" (305 mm x 102 mm)			
J	Interior Dimensions (bottom of bath) J(L) x J(W)	43" x 19" (1092 mm x 483 mm)		43" x 23" (1092 mm x 584 mm)	43" x 19" (1092 mm x 483 mm)		43" x 23" (1092 mm x 584 mm)	

KEY DIMENSIONS* [NOTE: The overall dimensions are nominal with a tolerance of +0 and -.25" (6mm).]


Signature™ Collection Corner Drop-In Soaker And Whirlpool Bathtubs

Letter	Description	SOAKER MODEL J5D6060B	WHIRLPOOL MODEL J5D6060W	WIHIRLPOOL MODELS	
-	Drain/Motor Location	Center Drain	Center Drain & LH / RH Motor		Each component requires a separate, dedicated GFCI protected circuit
-	Cutout	See Below	See Below		
-	Total Weight	1042 lbs (473 kg)	1057 lbs (479 kg)		
-	Floor Loading	41.7 lb/ft ² (204 kg/m ²)	42.3 lb/ft ² (206 kg/m ²)		
-	Operating Gallons (Max)	86 U.S. gallons (326 liters)	86 U.S. gallons (326 liters)		
-	Product Weight	76 lbs (34 kg)	91 lbs (41 kg)	Model with components	
-	Soaking Depth	15" (381 mm)	15" (381 mm)	GFCI Outlet (60Hz)	
L	Outer Length	60" (1524 mm)	60" (1524 mm)	Motor/Pump	
W	Outer Width	60" (1524 mm)	60" (1524 mm)	120V 15A	
H	Overall Height	22" (558 mm)	22" (558 mm)	Heater (if available)	
A	Overflow Height	17.38" (378 mm)	17.38" (378 mm)	120V 15A	
B	Long Edge to Drain Center	14.50" (368 mm)	14.50" (368 mm)		
C	Deck Edge to Drain Center	33.25" (845 mm)	33.25" (845 mm)		
D	Drain Shoe Length	17.50" (441 mm)	17.50" (441 mm)		
E	Deck Height	2" (51 mm)	2" (51 mm)		
F	Deck Width	3" (76 mm)	3" (76 mm)		
G	Service Access Dimensions	12" x 18" (305 mm x 457 mm)	12" x 18" (305 mm x 457 mm)		
I	Floor Cutout for Drain	19" x 4" (483 mm x 102 mm)	19" x 4" (483 mm x 102 mm)		
J	Interior Dimensions (bottom of bath) J(L) x J(W)	48" x 39" (1219 mm x 990 mm)	48" x 39" (1219 mm x 990 mm)		

KEY DIMENSIONS* [NOTE: The overall dimensions are nominal with a tolerance of +0 and -.25" (6mm).]

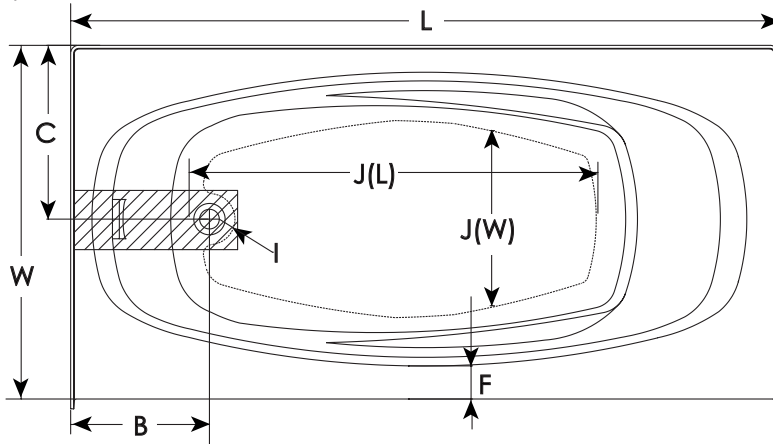


Signature™ Collection Rectangle w/Armrest Skirted Soaker and Whirlpool Bathtubs

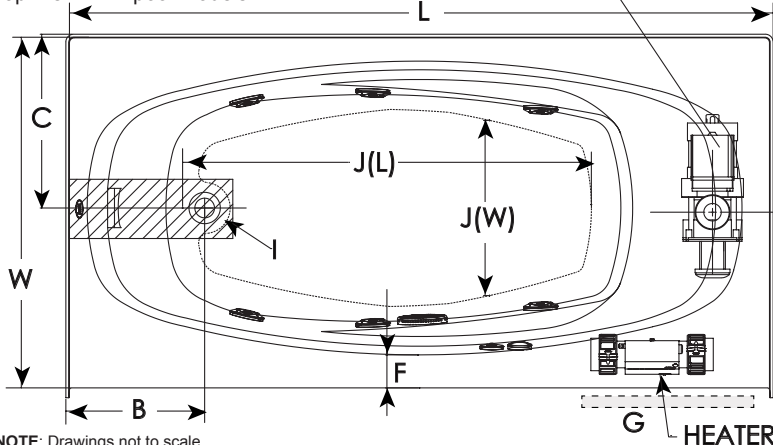
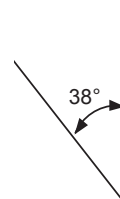
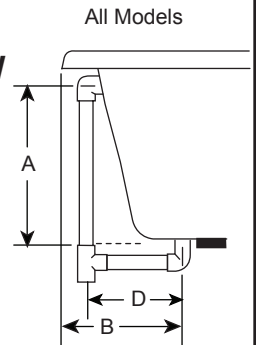
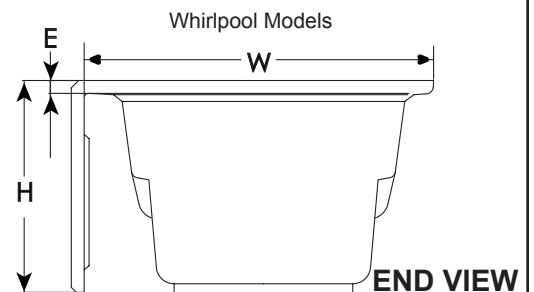
Letter	Description	SOAKER MODELS J1A7236B	WHIRLPOOL MODELS J1A7236W	WIIHRLPOOL MODELS
-	Drain/Motor Location	End	Opposite end of drain location	
-	Cutout	N/A	N/A	
-	Total Weight	995 lbs (451 kg)	1029 lbs (467 kg)	
-	Floor Loading	55 lb/ft ² (279 kg/m ²)	57 lb/ft ² (278 kg/m ²)	
-	Operating Gallons (Max)	78 gallons (295 liters)	78 gallons (295 liters)	Model with components
-	Product Weight	95 lbs (43 kg)	129 lbs (59 kg)	
-	Soaking Depth	15 (381 mm)	15 (381 mm)	Motor/Pump
L	Outer Length	72" (1829 mm)	72" (1829 mm)	
W	Outer Width	36" (914 mm)	36" (914 mm)	
H	Overall Height	21.75" (552 mm)	21.75" (552 mm)	Heater (if available)
A	Overflow Height	16.25" (413 mm)	16.25" (413 mm)	
B	Deck Edge to Drain Center	14.60" (371 mm)	14.60" (371 mm)	
C	Short Edge to Drain Center	18.00" (457 mm)	18" (457 mm)	
D	Drain Shoe Length	11.50" (292 mm)	11.50" (292 mm)	
E	Deck/Flange Height	1" (25 mm)	1" (25 mm)	
F	Deck Width	3.75" (95 mm)	3.75" (95 mm)	
G	Service Access Dimensions	N/A	Removable Skirt Access	
I	Floor Cutout for Drain	12" x 4" (305 mm x 102 mm)	12" x 4" (305 mm x 102 mm)	
J	Interior Dimensions (bottom of bath) J(L) x J(W)	45" x 22" (1143 mm x 559 mm)	45" x 22" (1143 mm x 559 mm)	

KEY DIMENSIONS* [NOTE: The overall dimensions are nominal with a tolerance of +0 and -.25" (6mm).]

Top View Soaker Models



Top View Whirlpool Models


DRAIN/OVERFLOW

BACKREST ANGLE


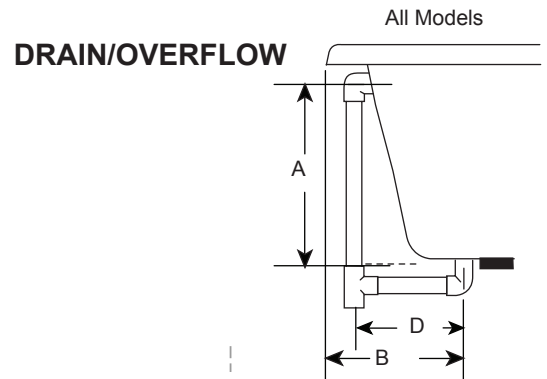
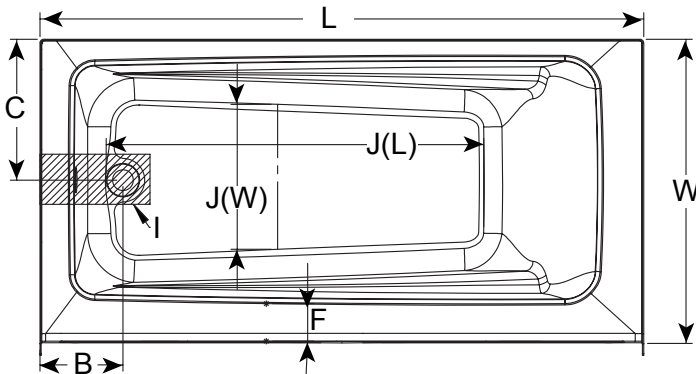
NOTE: Drawings not to scale.

Signature™ Collection Rectangle w/Armrest Skirted Soaker and Whirlpool Bathtubs

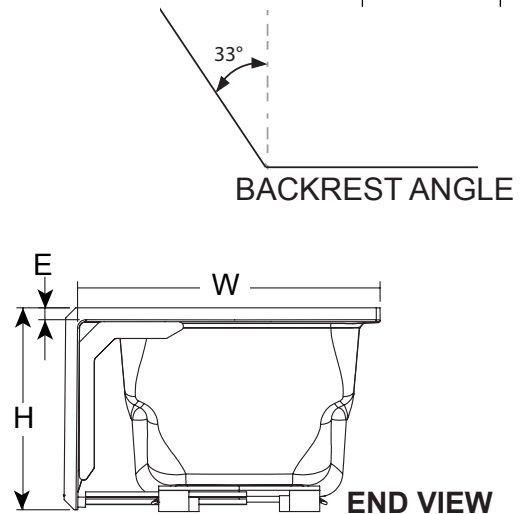
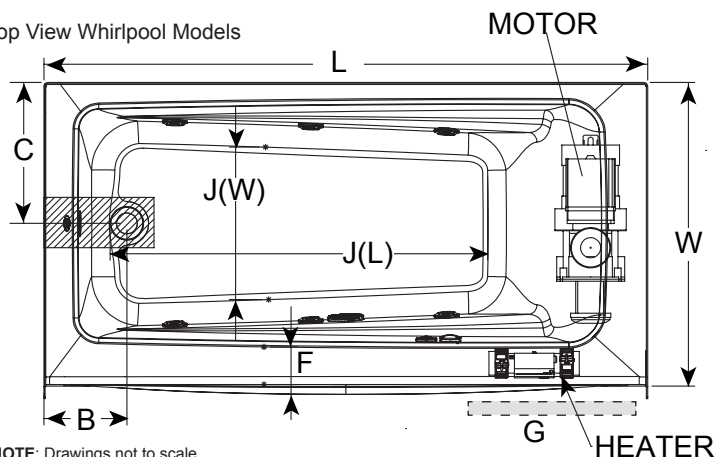
Letter	Description	SOAKER MODELS		WHIRLPOOL MODELS		WiHIRLPOOL MODELS
		J1A6030B	J1A6032B	J1A6030W	J1A6032W	
-	Drain/Motor Location	LH / RH		LH / RH		Each component requires a separate, dedicated GFCI protected circuit
-	Cutout	N/A		Opposite end of drain		
-	Total Weight	745 lbs (338 kg)	746 lbs (338 kg)	759 lbs (344 kg)	760 lbs (345 kg)	
-	Floor Loading	60 lb/ft² (293 kg/m²)	56 lb/ft² (273 kg/m²)	61 lb/ft² (299 kg/m²)	57 lb/ft² (278 kg/m²)	
-	Operating Gallons (Max)	50 gallons (189 liters)		50 gallons (189 liters)		Model with components
-	Product Weight	60 lbs (27 kg)		84 lbs (38 kg)		
-	Soaking Depth	14 (356 mm)		14 (356 mm)		Motor/Pump
L	Outer Length	60" (1524 mm)		60" (1524 mm)		
W	Outer Width	30" (762 mm)	32" (813 mm)	30" (762 mm)	32" (813 mm)	Heater (if available)
H	Overall Height	20.25" (514 mm)		20.25" (514 mm)		
A	Overflow Height	15.25" (387 mm)		15.25" (387 mm)		
B	Deck Edge to Drain Center	8.25" (210 mm)		8.25" (210 mm)		
C	Short Edge to Drain Center	16.00" (406 mm)		16.00" (406 mm)		
D	Drain Shoe Length	6.25" (159 mm)		6.25" (159 mm)		
E	Deck/Flange Height	1.25" (32 mm)		1.25" (32 mm)		
F	Deck Width	3.75" (95 mm)		3.75" (95 mm)		
G	Service Access Dimensions	N/A		Removable Skirt Access		
I	Floor Cutout for Drain	12" x 4" (305 mm x 102 mm)		12" x 4" (305 mm x 102 mm)		
J	Interior Dimensions (bottom of bath) J(L) x J(W)	41.50" x 18.60" (1054 mm x 472 mm)		41.50" x 18.60" (1054 mm x 472 mm)		

KEY DIMENSIONS* [NOTE: The overall dimensions are nominal with a tolerance of +0 and -.25" (6mm).]

Top View Soaker Models



Top View Whirlpool Models



NOTE: Drawings not to scale.