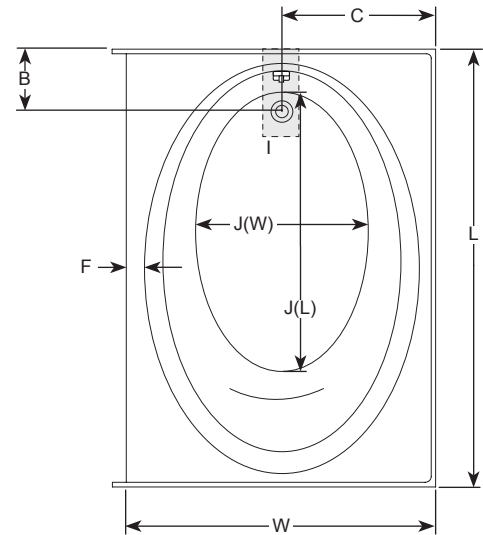


**Nova® 6042 Whirlpool and Soaking Skirted Bathtubs**

Letter	Description	Whirlpool	Soaking
-	Drain Location	Left Hand / Right Hand	
-	Whirlpool Pump Location	Opposite end of drain location	N/A
-	Cutout	N/A	
-	Total Weight	818 lb (371 kg)	798 lb (362 kg)
-	Floor Loading	47 lb/ft <sup>2</sup> (229 kg/m <sup>2</sup> )	46 lb/ft <sup>2</sup> (225 kg/m <sup>2</sup> )
-	Operating Gallons (Min/Max)	42Gal (159 L) / 54 Gal (204 L)	
-	Product Weight	118 lb (54 kg)	98 lb (44 kg)
L	Outer Length	60.00" (1524 mm)	
W	Outer Width	42.00" (1067 mm)	
H	Overall Height	19.50" (495 mm)	
A	Overflow Height	17.50" (445 mm)	
B	Long Edge to Drain Center	8.50" (216 mm)	
C	Short Edge to Drain Center	21.00" (533 mm)	
D	Drain Shoe Length	6.50" (165 mm)	
E	Flange Height	1.00" (25mm)	
F	Deck Width	2.00" (51 mm)	
G	Service Access Dimensions	See Illustration Below	N/A
I	Floor Cutout for Drain	12.00 x 4.00" (305 mm x 102 mm)	
J	Interior Dimensions (JW x JL)	27.00" x 41.00" (686 mm x 1041 mm)	

**NOTE**

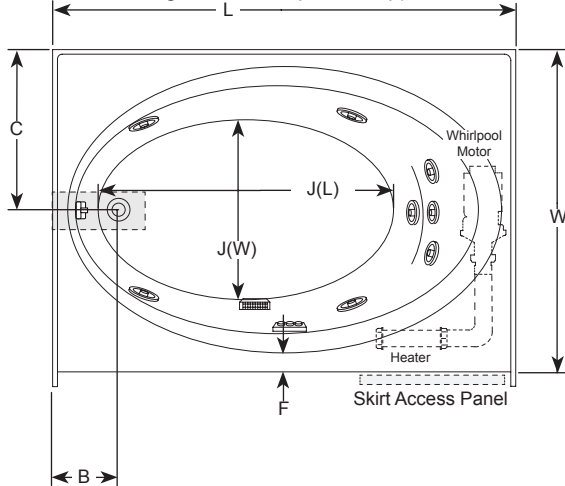
The overall dimensions are nominal with a tolerance of +0 and -.25" (6mm).  
 Electrical Specifications  
 (Each component requires a separate, dedicated GFCI protected circuit)  
 Motor/Pump 120V 15A 60HZ  
 Heater (optional) 120V 15A 60HZ



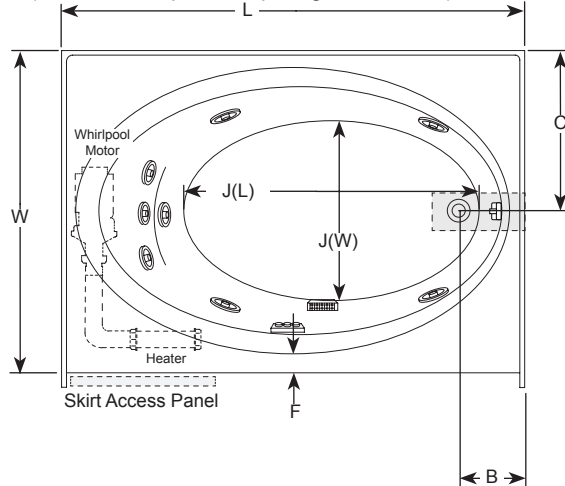
Soaking Bathtub

**Key Dimensions**

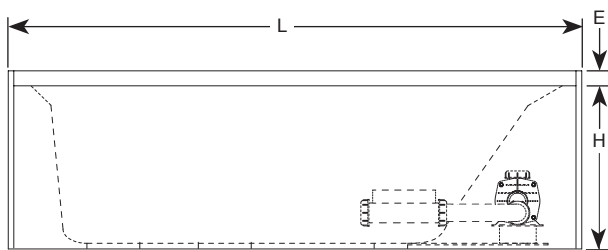
(Left End Drain / Right Side Whirlpool Pump)



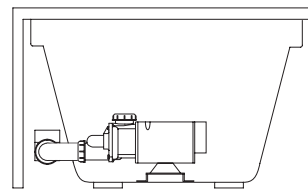
(Left End Whirlpool Pump / Right Side Drain)



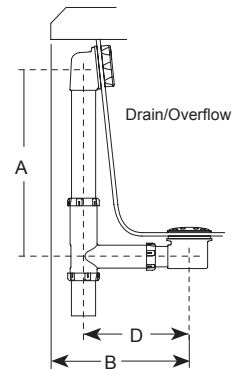
\*Deck width reflects only area indicated on detail.



Side View



End View



**NOTE:** Drawings not to scale.