



Fuzion® 7260 Drop-In/Undermount Bathtub

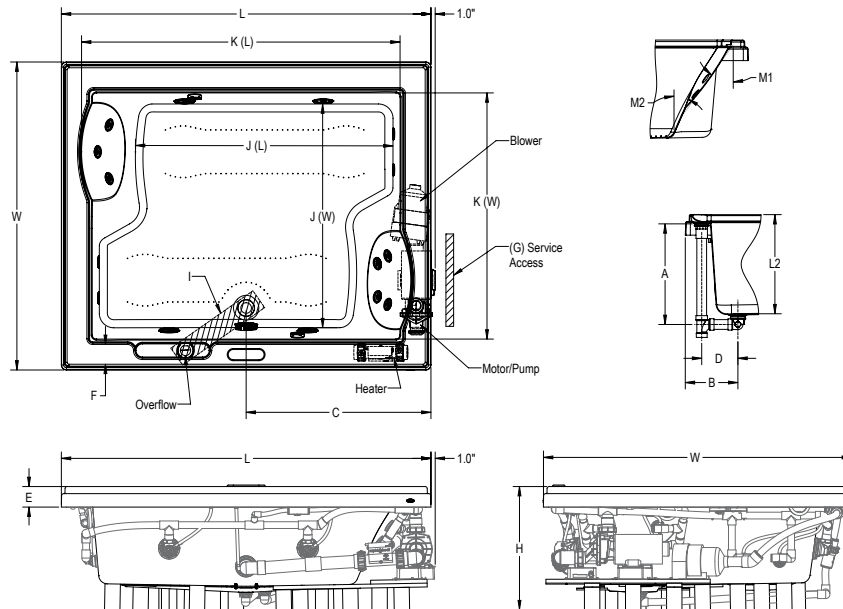
| Letter | Description | Soaking | Whirlpool | Salon® Spa | Pure Air® | Electrical Specifications | |
|--------|--|--|--|--|--|---|--|
| - | Drain Location | Center Drain | | | | Each component requires a separate, dedicated GCFI protected circuit. | |
| - | Equipment Location | -- | Left/Right/Dual | Left/Right End | Right End | Model with Components | |
| - | Undermount Cutout Template | DD44000 | | | | GFCI Outlet (60Hz) | |
| - | Drop-In Cutout Dimensions | 70" L x 58" W | | | | Soaker Only | |
| - | Total Weight | 1,733 lbs (786 kg) | 1,790 lbs (811 kg) | 1,825 lbs (828 kg) | 1,783 lbs (809 kg) | None | |
| - | Total Weight - Dual Zone | -- | 1,825 lbs (829 kg) | -- | -- | Soaker with Chromatherapy | |
| - | Floor Loading | 58 lb/ft ² (284 kg/m ²) | 60 lb/ft ² (293 kg/m ²) | 61 lb/ft ² (299 kg/m ²) | 60 lb/ft ² (293 kg/m ²) | 120V / 15A | |
| - | Floor Loading - Dual Zone | -- | 61 lb/ft ² (299 kg/m ²) | -- | -- | Motor/Pump | |
| - | Operating Gallons | 148 Gal (560 L) | 110 Gal (417 L) min 148 Gal (560 L) max | | 70 Gal (265 L) min 148 Gal (560 L) max | 120V / 20A | |
| - | Product Weight | 150 lbs (68 kg) | 207 lbs (94 kg) | 242 lbs (110 kg) | 200 lbs (91 kg) | Heater | |
| - | Product Weight - Dual Zone | -- | 242 lbs (110 kg) | -- | -- | Dual Zone Motor/ Pump & Heater | |
| - | Soaking Depth | 18.25" (464 mm) | | | | (2X) 240V / 20A | |
| L | Outer Length | 71.75" (1822 mm) | | | | Motor/Pump and Heater | |
| W | Outer Width | 59.75" (1518 mm) | | | | 240V / 20A | |
| H | Overall Height** | 24" (610 mm) | | | | Blower | |
| A | Overflow Height | 16.75" (425 mm) | | | | 120V / 15A | |
| B | Long Edge to Drain Center | 12.06" (306 mm) | | | | Blower Only | |
| C | Short Edge to Drain Center | 36" (915 mm) | | | | 120V / 15A | |
| D | Drain Shoe Length | 8.5" (216 mm) | | | | Blower with Chromatherapy | |
| E | Deck Height** | 4" (102 mm) | | | | 120V / 15A | |
| F | Deck Width* | 3.5" (89 mm) | | | | | |
| G | Service Access Dimensions | 12" H x 18" L (305 mm x 457 mm) | | | | | |
| I | Floor Cutout for Drain | 18.5" x 4" (470 mm x 102 mm) | | | | | |
| J | Interior Dimensions Bottom of Bath (L x W) | 49.5" x 42" (1257 mm x 1067 mm) | | | | | |
| K | Interior Dimensions Top of Bath (L x W) | 62" x 48" (1575 mm x 1219 mm) | | | | | |
| L2 | Interior Depth - Drain End | 19.63" (499 mm) | | | | | |
| M1/M2 | Backrest Angle | 36° / 24° | | | | | |

| Available Upgrades (Select Models) | |
|------------------------------------|--|
| Whisper Quiet Technology | |
| Illumatherapy | |
| J5 Luxury LCD Control Panel | |

KEY DIMENSIONS [Note: The overall dimensions are nominal with a tolerance of +0 and -.25" (6 mm).]

*Deck width reflects only area indicated on detail.
 **Height of tub only. Optional wood frame adds 1.25".
 Chrome twist & turn drain included. For other finishes, replace with standard parts & 1.5" drain elbow.

RH Salon® Spa model shown



Refer to installation instructions included with fixture before beginning installation. Please confirm product availability and specifications before commencing with any installation work.

PRODUCT SPECIFICATIONS AND AVAILABILITY ARE SUBJECT TO CHANGE WITHOUT NOTICE