

Fuzion® 7236 Drop-In/Undermount Bathtub

Letter	Description	Soaking	Whirlpool	Salon® Spa	Pure Air®	Electrical Specifications			
-	Drain Location	End Drain	Left/Right End	Right End	Left/Right End	Each component requires a separate, dedicated GCFI protected circuit.			
-	Equipment Location	--	Opposite End of Drain Location			Model with Components	GFCI Outlet (60Hz)		
-	Undermount Cutout Template	DD42000					Soaking	Soaker Only	None
-	Drop-In Cutout Dimensions	69" L x 33" W						Soaker with Chromatherapy	120V / 15A
-	Total Weight	1,165 lbs (529 kg)	1,210 lbs (550 kg)	1,256 lbs (570 kg)	1,205 lbs (547 kg)	Whirlpool	Motor/Pump	120V / 20A	
-	Floor Loading	67 lb/ft ² (327 kg/m ²)	70 lb/ft ² (340 kg/m ²)	72 lb/ft ² (352 kg/m ²)	69 lb/ft ² (338 kg/m ²)		Heater	120V / 15A	
-	Operating Gallons	99 Gal (375 L)	77 Gal (375 L) min 99 Gal (375 L) max		56 Gal (212 L) min 99 Gal (375 L) max	Salon® Spa	Motor/Pump and Heater	240V / 20A	
-	Product Weight	90 lbs (41 kg)	135 lbs (61 kg)	181 lbs (82 kg)	120 lbs (59 kg)		Blower	120V / 15A	
-	Soaking Depth	18.25" (464 mm)					Pure Air®	Blower Only	120V / 15A
L	Outer Length	70.75" (1797 mm)						Blower with Chromatherapy	120V / 15A
W	Outer Width	35.5" (902 mm)							
H	Overall Height**	24" (610 mm)							
A	Overflow Height	17" (432 mm)							
B	Long Edge to Drain Center	10.25" (260 mm)							
C	Short Edge to Drain Center	17.69" (447 mm)							
D	Drain Shoe Length	7" (178 mm)							
E	Deck Height**	4" (102 mm)							
F	Deck Width*	3" (76 mm)							
G	Service Access Dimensions	12" H x 18" L (305 mm x 457 mm)							
I	Floor Cutout for Drain	12" x 4" (305 mm x 102 mm)							
J	Interior Dimensions Bottom of Bath (L x W)	48" x 21.5" (1219 mm x 546 mm)							
K	Interior Dimensions Top of Bath (L x W)	64.1" x 26" (1628 mm x 660 mm)							
L2	Interior Depth - Drain End	19.63" (499 mm)							
M1/M2	Backrest Angle	38° / 24°							

Available Upgrades (Select Models)

Whisper Quiet Technology

Illumatherapy

J5 Luxury LCD Control Panel

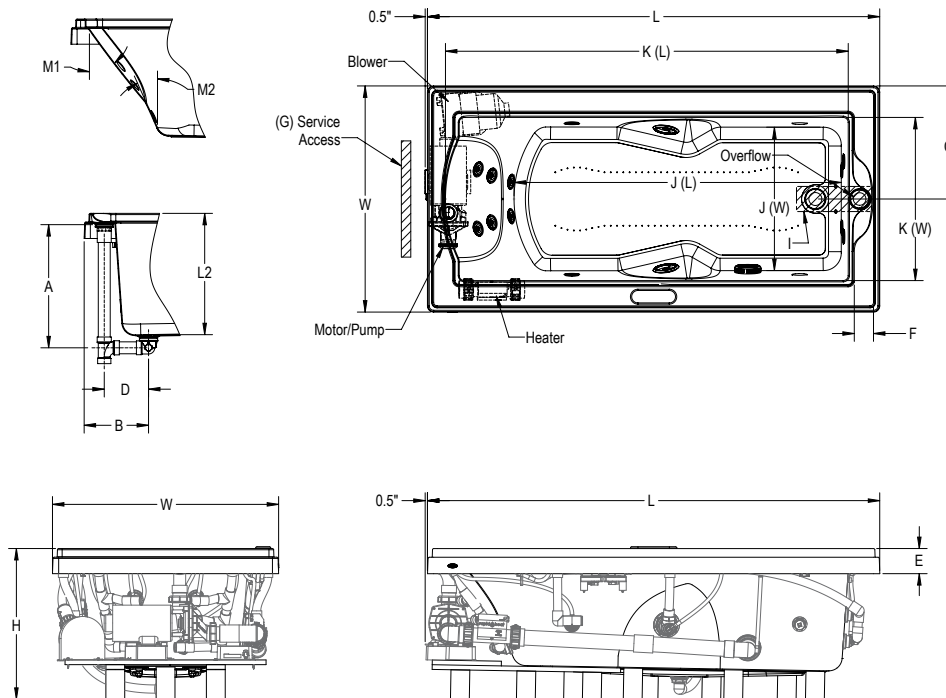
KEY DIMENSIONS [Note: The overall dimensions are nominal with a tolerance of +0 and -25" (6 mm).]

*Deck width reflects only area indicated on detail.

**Height of tub only. Optional wood frame adds 1.25".

Chrome twist & turn drain included. For other finishes, replace with standard parts & 1.5" drain elbow.

Salon® Spa model shown



Refer to installation instructions included with fixture before beginning installation. Please confirm product availability and specifications before commencing with any installation work.

PRODUCT SPECIFICATIONS AND AVAILABILITY ARE SUBJECT TO CHANGE WITHOUT NOTICE