

# Maxima™ Two Piece Elongated Toilet



Model: EZ37

## Components

Maxima™ Elongated Perfect Height™ EZ37

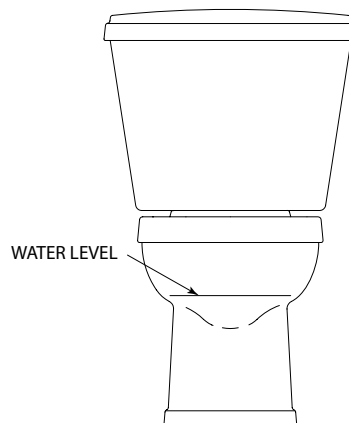
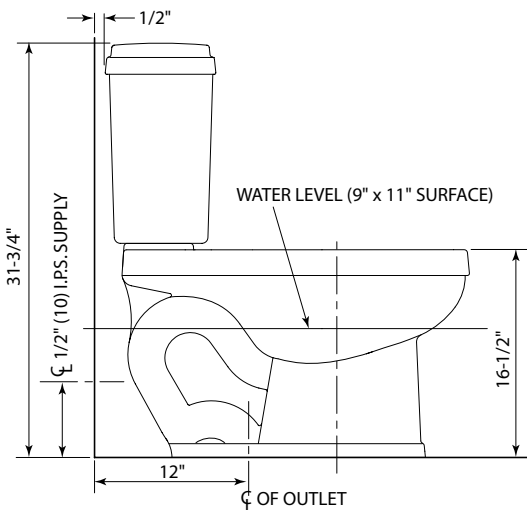
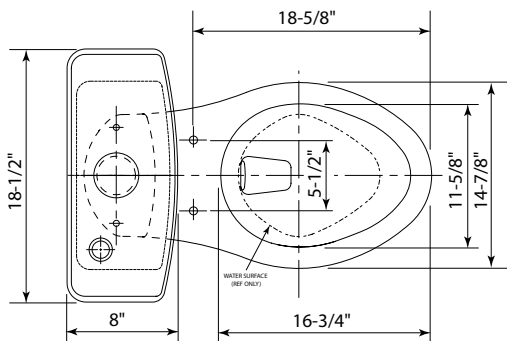
## Installation Notes

Refer to installation instructions included with fixture before beginning installation. Please confirm product availability and specifications before commencing with any installation work.

PRODUCT SPECIFICATIONS AND AVAILABILITY ARE SUBJECT TO CHANGE WITHOUT NOTICE.

## Specifications

Water Use:	1.6 GPF/6.0LPF
Flush System:	3" Flush Valve w/Dual Action Siphon Jet Channel
Trap Diameter:	2-1/2" Dia. fully glazed trapway
Rough In:	12" rough in
Warranty:	Five Year Limited Warranty
Overall:	29" L x 18-1/2" W x 31-3/4" H
Bowl Height:	16-1/2" Perfect Height™
Material:	Two piece vitreous china toilet
Water Surface:	9" x 11"



Meets the Americans with Disabilities Act Guidelines and ANSI A117.1 requirements where installed so top of seat is 17" from the finished floor.

These dimensions and specifications are subject to change without notice.