

## Ristorre™ Ovale™



Gentle glass curves envelope powerful body sprays to create the Ristorre™ Ovale™ shower.

- Rain shower head
- Multi-function hand shower with 60" hose
- 6 body sprays
- Temperature-check spout
- Pressure-balanced control valve
- Shower diverter to control water between shower head, hand shower, body sprays and temperature-check spout
- Tempered Glass accessory shelf
- Elegant glass and chrome finish

### Ristorre™ Ovale™

model number: EC31

exterior dimensions:  
46-5/8" L x 10-1/4" W x 3" H





# Ristorre™ Collection Ovale™ Shower Tower

Model: EC31

## Ordering Information

Product Code:

EC31 Ovale™ Shower Tower  
(Optional Temperature-check Spout Included)

## Installation Notes

Refer to installation instructions included with fixture before beginning installation. Please confirm product availability and specifications before commencing with any installation work.

PRODUCT SPECIFICATIONS AND AVAILABILITY ARE SUBJECT TO CHANGE WITHOUT NOTICE.

## Technical Specifications

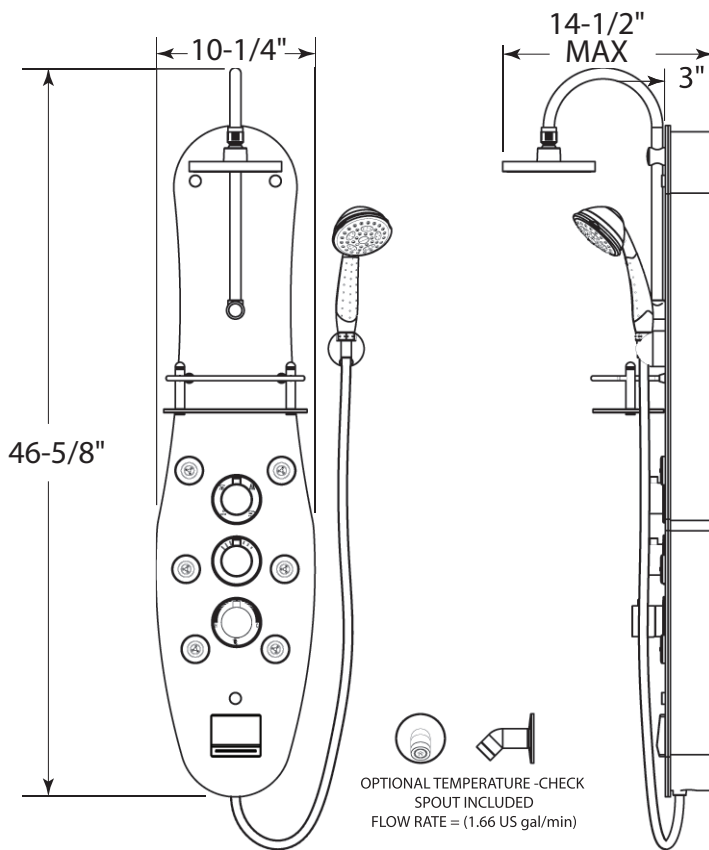
### Dimensions

46-5/8" L x 10-1/4" W x 3" H  
(1184 mm) L x (260 mm) W x (76 mm) H

### Product Weight

22 lb. (10 kg)

This is a wall mounting shower tower bathroom fixture.



Product Shown: Ristorre™ Ovale™ Shower Tower, Model: EC31

Minimum Working Water Pressure	21.76 psi	(1.5 bar)	
Maximum Working Water Pressure	72.52 psi	(5.0 bar)	
Recommended Working Water Pressure	43.51 psi	(3.0 bar)	
Maximum Working Water Temp.	140-158° F	(60 – 70° C)	
Minimum Working Water Temp.	41-68° F	(5-20° C)	
Recommended Working Temp.	100° F	(38° C)	
Under water pressure at 21.76 psi (1.5 bar)	Flow Rate of Hand Shower	1.61 US gal/min	(6.1 L/min)
	Flow Rate of Wall Mount	1.69 US gal/min	(6.4 L/min)
	Flow Rate of Body Jet	1.66 US gal/min	(6.3 L/min)
	Flow Rate of Temp-Check Spout	1.69 US gal/min	(6.4 L/min)