



# COMFORT SERIES AIR BATHS

## INSTALLATION AND OPERATING INSTRUCTIONS

### Save these instructions for future use.

Complete and mail-in the product registration card provided with your unit.  
Write and save the model and serial number of your unit below.

#### Owner's Record

Date Purchased \_\_\_\_\_

Purchased From \_\_\_\_\_

Installed By \_\_\_\_\_

Serial Number \_\_\_\_\_

Model \_\_\_\_\_

Installer: Leave this manual for homeowner.  
Homeowner: Read this manual and keep for future reference.

# IMPORTANT SAFETY INSTRUCTIONS READ AND FOLLOW ALL INSTRUCTIONS SAVE THESE INSTRUCTIONS

## INSTRUCTIONS PERTAINING TO A RISK OF FIRE, ELECTRIC SHOCK, OR INJURY TO PERSONS

**WARNING** — WHEN USING THIS UNIT, BASIC PRECAUTIONS SHOULD ALWAYS BE FOLLOWED, INCLUDING THE FOLLOWING:

**DANGER:** TO REDUCE THE RISK OF INJURY, DO NOT PERMIT CHILDREN TO USE THIS UNIT UNLESS THEY ARE CLOSELY SUPERVISED AT ALL TIMES.

**WARNING** — USE THIS UNIT ONLY FOR ITS INTENDED USE AS DESCRIBED IN THIS MANUAL. DO NOT USE ATTACHMENTS NOT RECOMMENDED BY THE MANUFACTURER.

**WARNING** — NEVER DROP OR INSERT ANY OBJECT INTO ANY OPENING.

**WARNING** — DO NOT OPERATE THIS UNIT WITHOUT THE GUARD OVER THE SUCTION FITTING.

**WARNING** — THIS UNIT MUST BE CONNECTED ONLY TO A SUPPLY CIRCUIT THAT IS PROTECTED BY A GROUND FAULT CIRCUIT INTERRUPTER (GFCI). SUCH A GFCI SHOULD BE PROVIDED BY THE INSTALLER AND SHOULD BE TESTED ON A ROUTINE BASIS. TO TEST THE GFCI, PUSH THE TEST BUTTON. THE GFCI SHOULD INTERRUPT POWER. PUSH THE RESET BUTTON. POWER SHOULD BE RESTORED. IF THE GFCI FAILS TO OPERATE IN THIS MANNER, THE GFCI IS DEFECTIVE. IF THE GFCI INTERRUPTS POWER TO THE BATHTUB WITHOUT THE TEST BUTTON BEING PUSHED, A GROUND CURRENT FLOWING, INDICATING A POSSIBILITY OF AN ELECTRIC SHOCK. DO NOT USE THIS HYDROMASSAGE BATHTUB. DISCONNECT THE HYDROMASSAGE BATHTUB AND HAVE THE PROBLEM CORRECTED BY A QUALIFIED SERVICE REPRESENTATIVE BEFORE USING.

**WARNING** — (FOR PERMANENTLY CONNECTED UNITS) A GREEN COLORED TERMINAL (OR A WIRE CONNECTOR MARKED “G”, “GR”, “GROUND”, OR “GROUNDING”) IS PROVIDED WITHIN THE TERMINAL COMPARTMENT. TO REDUCE THE RISK OF ELECTRIC SHOCK, CONNECT THE TERMINAL OR CONNECTOR TO THE GROUNDING TERMINAL OF YOUR ELECTRIC SERVICE OR SUPPLY PANEL WITH A CONDUCTOR EQUIVALENT IN SIZE TO THE CIRCUIT CONDUCTORS SUPPLYING THIS EQUIPMENT.

## OPERATING INSTRUCTIONS

**WARNING** — PROLONGED IMMERSION IN HOT WATER MAY INDUCE HYPERTHERMIA. HYPERTHERMIA OCCURS WHEN THE INTERNAL TEMPERATURE OF THE BODY REACHES A LEVEL SEVERAL DEGREES ABOVE THE NORMAL BODY TEMPERATURE OF 98.6°F. THE SYMPTOMS OF HYPERTHERMIA INCLUDE AN INCREASE IN THE INTERNAL TEMPERATURE OF THE BODY, DIZZINESS, LETHARGY, DROWSINESS AND FAINTING. THE EFFECTS OF HYPERTHERMIA INCLUDE:

- A) FAILURE TO PERCEIVE HEAT
- B) FAILURE TO RECOGNIZE THE NEED TO EXIT THE SPA OR HOT TUB,
- C) UNAWARENESS OF IMPENDING HAZARD,
- D) FETAL DAMAGE IN PREGNANT WOMEN,
- E) PHYSICAL INABILITY TO EXIT THE SPA OR HOT TUB, AND
- F) UNCONSCIOUSNESS RESULTING IN DANGER OF DROWNING.

**WARNING** — THE USE OF ALCOHOL, DRUGS OR MEDICATION CAN GREATLY INCREASE THE RISK OF FATAL HYPERTHERMIA.

**WARNING** — DO NOT TAMPER WITH USER-OPERATED CONTROLS OR SUCH DEVICES.

# INSTALLATION INSTRUCTIONS

**WARNING** — WHEN USING THIS UNIT, BASIC PRECAUTIONS SHOULD ALWAYS BE FOLLOWED, INCLUDING THE FOLLOWING:

**DANGER** — RISK OF ELECTRIC SHOCK. CONNECT ONLY TO A CIRCUIT PROTECTED BY A GROUND FAULT CIRCUIT INTERRUPTER (GFCI).

 **CAUTION** — TEST THE GROUND FAULT CIRCUIT INTERRUPTER PROTECTING THIS APPLIANCE PERIODICALLY IN ACCORDANCE WITH MANUFACTURER'S INSTRUCTIONS.

**WARNING** — USE THIS UNIT ONLY FOR ITS INTENDED USE AS DESCRIBED IN THIS MANUAL. DO NOT USE ATTACHMENTS NOT RECOMMENDED BY THE MANUFACTURERS.

**WARNING** — TO AVOID INJURY, EXERCISE CAUTION WHEN ENTERING OR EXITING THE HYDROMASSAGE BATHTUB.

**WARNING** — KEEP BODY AND HAIR A MINIMUM OF 6" (15, 2 cm) AWAY FROM SUCTION FITTING AT ALL TIMES WHEN THE HYDROMASSAGE SYSTEM IS OPERATING. HAIR LONGER THAN SHOULDER LENGTH SHOULD BE SECURED CLOSE TO THE HEAD.

**WARNING** — RISK OF ELECTRICAL SHOCK; DO NOT PERMIT ELECTRICAL APPLIANCES (SUCH AS HAIR DRYER, LAMP, TELEPHONE, RADIO OR TELEVISION) WITHIN 60" (1,5 m) OF THIS HYDROMASSAGE BATHTUB.

**WARNING** — RISK OF ACCIDENTAL INJURY OR DROWNING; DO NOT USE DRUGS OR ALCOHOL BEFORE OR DURING THE USE OF HYDROMASSAGE BATHTUB EQUIPPED WITH A HEATER TO AVOID UNCONSCIOUSNESS AND POSSIBLE DROWNING.

**WARNING** — RISK OF FETAL INJURY; PREGNANT OR POSSIBLY PREGNANT WOMEN SHOULD CONSULT A PHYSICIAN BEFORE USING A HYDROMASSAGE BATHTUB EQUIPPED WITH A HEATER.

**WARNING** — RISK OF HYPERTHERMIA AND POSSIBLE DROWNING; DO NOT USE A HYDROMASSAGE BATHTUB EQUIPPED WITH A HEATER IMMEDIATELY FOLLOWING STRENUOUS EXERCISE.

**WARNING** — RISK OF HYPERTHERMIA AND POSSIBLE DROWNING; WATER TEMPERATURE IN EXCESS OF 104°F (40°C) MAY BE INJURIOUS TO YOUR HEALTH. CHECK AND ADJUST WATER TEMPERATURE BEFORE USE.

**WARNING** — RISK OF HYPERTHERMIA; PEOPLE USING MEDICATIONS AND/OR HAVING AN ADVERSE MEDICAL HISTORY SHOULD CONSULT A PHYSICIAN BEFORE USING A HYDROMASSAGE BATHTUB EQUIPPED WITH A HEATER.

FOR BUILT-IN AND DROP-IN UNITS, INSTALL TO PERMIT ACCESS FOR SERVICING.

THIS UNIT SHOULD BE ELECTRICALLY GROUNDED AND INSTALLED BY A LICENSED CONTRACTOR, ELECTRICIAN, AND PLUMBER.

BUILDING MATERIALS AND WIRING SHOULD BE ROUTED AWAY FROM THE MOTOR/PUMP OR BLOWER OR OTHER HEAT PRODUCING COMPONENTS OF THIS UNIT.

## PRECAUTIONS

- Do not operate the hydromassage system unless the bath is filled with water to at least 1" to 2" (25,4 - 50,8 mm) above the highest jet.
- Do not immerse the control panel by overfilling the bath.
- Do not use oil-based bath additives in your hydromassage bath.
- When cleaning your bath, do not use abrasive substances which will damage the bath's surface.
- To prevent discoloration of the acrylic finish, do not fill the bath with water in excess of 140°F (60°C).

**NOTE: This is a professional grade product. A knowledge of construction techniques, plumbing and electrical installation according to codes are required for proper installation and user satisfaction. We recommend that a licensed contractor perform the installation of all Jacuzzi Whirlpool Bath products. Our warranty does not cover improper installation related problems.**

**PRODUCT SPECIFICATIONS ARE SUBJECT TO CHANGE WITHOUT NOTICE.  
USE INSTALLATION INSTRUCTIONS SUPPLIED WITH PRODUCT.**

The Company has obtained applicable code (standards) listings generally available on a national basis for products of this type. It is the responsibility of the installer/owner to determine specific local code compliance prior to installation of the product. The Company makes no representation or warranty regarding, and will not be responsible for any code compliance.

# CONTENTS

Safety Instructions _____	2-3
Contents _____	4
Specifications _____	5-8
Roughing-in Reference _____	9-11
Cutout _____	11
Install Instructions _____	12-15
Framing and Support _____	12
Service Access _____	13
Electrical Connections _____	14
Relocating Blower Motor _____	14
Plumbing and Water Supply _____	15
Clean Up After Installation _____	15
Operation Instructions _____	16
Maintenance _____	16
Authorized Service _____	17
Warranty _____	19-20

NOTE: To obtain a referral for a service agent in your area call 1-800-288-4002. You may also visit our web site at <http://www.jacuzzi.com/>. To find service agent listings for:

- Electrical or Mechanical Repairs visit <http://jacuzzi.com/pdf/ASA.PDF>
- Finish, Surface, or Shell-Related Repairs visit <http://jacuzzi.com/pdf/AFC.PDF>
- Repair Parts or Accessories visit <http://jacuzzi.com/pdf/MPD.PDF>

# INSTALLATION INSTRUCTIONS

## Important: Read complete instructions before beginning installation.

Each bath arrives ready for installation, completely equipped with blower motor and plumbing necessary for operation. An optional drain/overflow kit is available for installation on the bath.

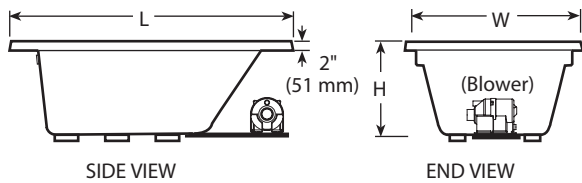
Remove the bath from the carton. Retain the shipping carton until satisfactory inspection of the product has been made. **Do not lift the bath by the plumbing at any time; handle by the shell only.**

Immediately upon receipt, inspect the shell before installing. Should inspection reveal any damage or defect in the finish, do not install the bath. Damage or defect to the finish claimed after the bath is installed is excluded from the warranty. Jacuzzi Whirlpool Bath's responsibility for shipping damage ceases upon delivery of the products in good order to the carrier. Refer any claims for damage to the carrier. For definitions of warranty coverage and limitations, refer to the published warranty information packed with the product.

All bath units are factory tested for proper operation and watertight connections prior to shipping. **Note: Prior to installation, the bath must be filled with water and operated to check for leaks that may have resulted from shipping damage or mishandling.** Jacuzzi Whirlpool Bath is not responsible for any defect that could have been discovered, repaired, or avoided by following this inspection and testing procedure.

## SPECIFICATIONS

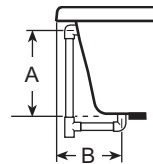
### SPECIFICATIONS (Rectangular)



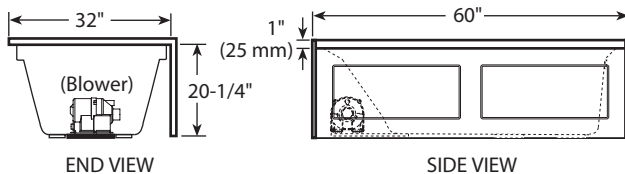
SIDE VIEW

END VIEW

BATHS WITHOUT INTEGRAL SKIRT



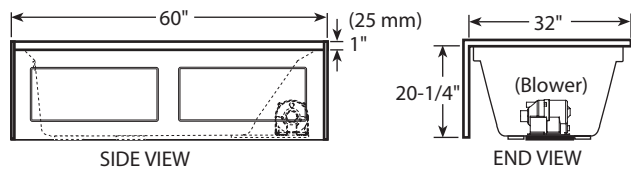
DRAIN/OVERFLOW



END VIEW

SIDE VIEW

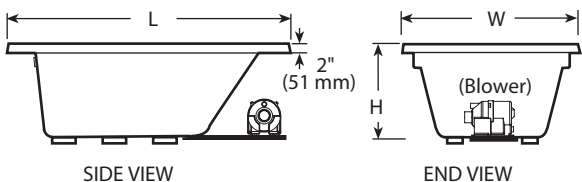
LUXURA™ 5 WITH INTEGRAL SKIRT, RIGHT HAND AIR BATH



SIDE VIEW

END VIEW

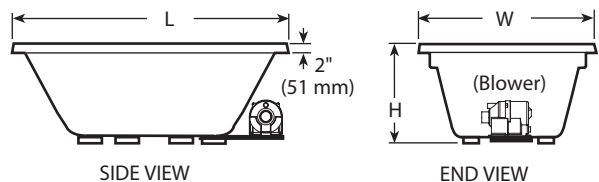
LUXURA™ 5 WITH INTEGRAL SKIRT, LEFT HAND AIR BATH



SIDE VIEW

END VIEW

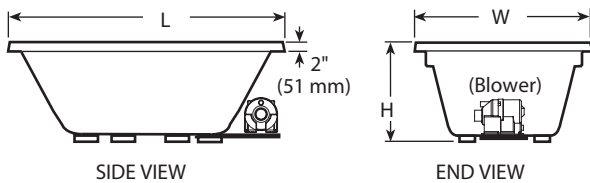
NOVA® 5 PURE AIR II BATH  
NOVA® 6 PURE AIR II BATH



SIDE VIEW

END VIEW

SIGNA® 5, PURE AIR BATH  
SIGNA® 6, PURE AIR BATH



SIDE VIEW

END VIEW

MITO® 5 & 6, PURE AIR II BATH

# SPECIFICATIONS

## SPECIFICATIONS (Rectangular) LH = LEFT HAND, RH = RIGHT HAND

ENGLISH

MODEL	DIMENSIONS	DRAIN/OVERFLOW DIMENSIONS	CUTOUT	TOTAL WEIGHT/FLOOR LOADING	AVERAGE OPERATING GALLONAGE	PRODUCT WEIGHT	SKIRT & MOUNTING
<b>AMIGA™</b> LH	72" (1829 mm) L* 36" ( 914 mm) W 20-3/4" ( 527 mm) H	16-7/8" (429 mm) A 14" (356 mm) B	70" x 34" (1778 mm x 863.6 mm)	791 lb (360 kg)/ 44 lb/ft <sup>2</sup> (215 kg/m <sup>2</sup> )	53 U.S. gal (201 liters)	100 lb (45 kg)	Optional, U-Frame
<b>CETRA® 532</b> LH	60" (1524 mm) L* 31-7/8" ( 791 mm) W 21-1/4" ( 553 mm) H	18-1/2" ( 470 mm) A 9" ( 229 mm) B	58" x 30-1/4" (1473 mm x 768.4 mm)	771 lb (351 kg)/ 58 lb/ft <sup>2</sup> (282 kg/m <sup>2</sup> )	Min. 47 U.S. gal (178 liters) Max. 57 U.S. gal (216 liters)	98 lb (44.6 kg)	Optional, U-Frame
<b>CETRA® 536</b> LH	60" (1524 mm) L* 36" ( 914 mm) W 21-1/4" ( 553 mm) H	18-1/2" ( 470 mm) A 9" ( 229 mm) B	58" x 34" (1473 mm x 863.6 mm)	763 lb (347 kg)/ 51 lb/ft <sup>2</sup> (249 kg/m <sup>2</sup> )	49 U.S. gal (186 liters) Max. 55 U.S. gal (208 liters)	105 lb (48 kg)	Optional, U-Frame
<b>LUXURA™ 5</b> W/ INTEGRAL SKIRT LH & RH	60" (1524 mm) L 32" ( 813 mm) W 20-1/4" ( 514 mm) H	15-1/4" (387 mm) A 8-1/4" (210 mm) B	NA	707 lb (321 kg)/ 53 lb/ft <sup>2</sup> (258 kg/m <sup>2</sup> )	Min. 39 U.S. gal (148 liters) Max. 50 U.S. gal (189 liters)	117 lb (53 kg)	Integral
<b>MITO® 5</b> RH	60" (1524 mm) L* 42" (1067 mm) W 21" ( 533 mm) H	17-1/2" (445 mm) A 11-7/8" (302 mm) B	58" x 40" (1473 mm x 1016 mm)	915 lb (416 kg)/ 52.3 lb/ft <sup>2</sup> (255 kg/m <sup>2</sup> )	Min. 39 U.S. gal (148 liters) Max. 73 U.S. gal (276 liters)	109 lb (49.5 kg)	Optional, U-Frame
<b>MITO® 6</b> RH	72" (1829 mm) L* 42" (1067 mm) W 21-1/2" ( 546 mm) H	17-1/2" (445 mm) A 11-7/8" (302 mm) B	70" x 40" (1778 mm x 1016 mm)	866 lb (394 kg)/ 41 lb/ft <sup>2</sup> (200 kg/m <sup>2</sup> )	60 U.S. gal (227 liters)	116 lb (53 kg)	Not Available
<b>NOVA® 5</b> LH	60" (1524 mm) L* 42" (1067 mm) W 18-1/2" ( 470 mm) H	14-3/4" (375 mm) A 8-1/2" (216 mm) B	58" x 40" (1473 mm x 1016 mm)	795 lb (361 kg)/ 45.4 lb/ft <sup>2</sup> (221 kg/m <sup>2</sup> )	Min. 35 U.S. gal (133 liters) Max. 54 U.S. gal (204 liters)	97 lb (44 kg)	Optional, U-Frame
<b>NOVA® 6</b> LH	72" (1829 mm) L* 42" (1067 mm) W 20-1/2" ( 521 mm) H	14-3/4" (375 mm) A 8-1/2" (216 mm) B	70" x 40" (1778 mm x 1016 mm)	TBD	TBD	TBD	Optional, U-Frame
<b>SIGNA® 5</b> RH	60" (1524 mm) L* 42" (1067 mm) W 22" ( 559 mm) H	17-1/2" (445 mm) A 12-1/2" (318 mm) B	58" x 40" (1473 mm x 1016 mm)	TBD	TBD	TBD	Optional, U-Frame
<b>SIGNA® 6</b> RH	72" (1829 mm) L* 42" (1067 mm) W 22" ( 559 mm) H	16-7/8" ( 429 mm) A 14" ( 356 mm) B	70" x 40" (1778 mm x 1016 mm)	TBD	TBD	TBD	Not Available

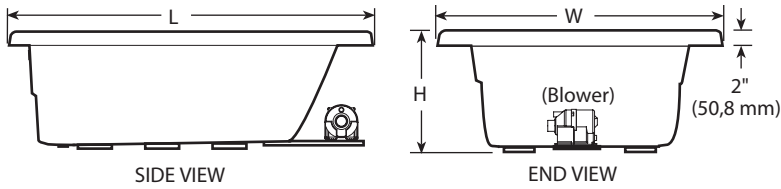
\* Add 1/4" (6,4 mm) to this dimension when roughing-in for 3-wall niche.

NOTE: The overall dimensions are nominal with a tolerance of +0 and -1/4" (6,4 mm).

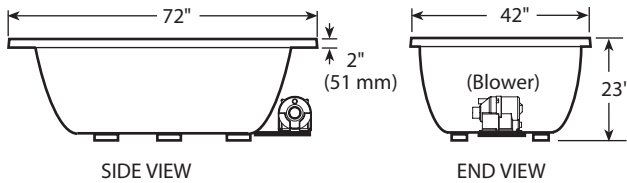
ELECTRICAL SERVICE REQUIREMENTS: Requires dedicated separate GFCI protected circuit 115 VAC, 15 AMP, 60 Hz.

# SPECIFICATIONS

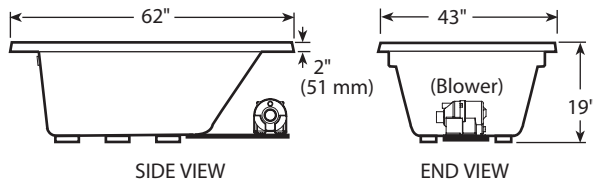
## OVAL BATHS



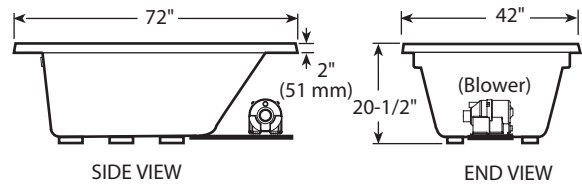
GALLERY™ 5, LEFT HAND PURE AIR II BATH  
GALLERY™ 6, LEFT HAND PURE AIR II BATH



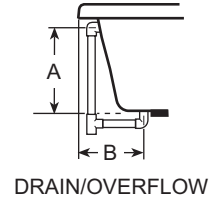
LUNA™, RIGHT HAND AIR BATH



RIVA® 5, LEFT HAND AIR BATH



RIVA® 6, LEFT HAND AIR BATH



## SPECIFICATIONS (Oval) LH = LEFT HAND, RH = RIGHT HAND

MODEL	DIMENSIONS	DRAIN/OVERFLOW DIMENSIONS	CUTOUT	TOTAL WEIGHT/FLOOR LOADING	AVERAGE OPERATING GALLONAGE	PRODUCT WEIGHT	SKIRT & MOUNTING
<b>GALLERY™ 5</b> <b>LH</b>	62" (1575 mm) L 43" (1092 mm) W 19" ( 483 mm) H	14-3/4" (375 mm) A 9-1/2" (241 mm) B	Template Provided P/N P186000	671 lb (305 kg)/ 36 lb/ft <sup>2</sup> (176 kg/m <sup>2</sup> )	38 U.S. gal (144 liters)	104 lb (47 kg)	Not Available
<b>GALLERY™ 6</b> <b>LH</b>	72" (1829 mm) L 42" (1067 mm) W 20-1/2" ( 521 mm) H	16" (406 mm) A 11-1/2" (292 mm) B	Template Provided P/N P186000	893 lb (406 kg)/ 43 lb/ft <sup>2</sup> (210 kg/m <sup>2</sup> )	62 U.S. gal (235 liters)	127 lb (58 kg)	Not Available
<b>LUNA™</b> <b>RH</b>	72" (1829 mm) L 42" (1067 mm) W 23" ( 584 mm) H	19-1/8" (486 mm) A 11" (279 mm) B	Template Provided P/N P819000	TBD	TBD	TBD	Not Available
<b>RIVA® 5</b> <b>LH</b>	62" (1575 mm) L 43" (1092 mm) W 19" ( 483 mm) H	14-3/4" (375 mm) A 9-1/2" (241 mm) B	Template Provided P/N P186000	787lb (358 kg)/ 45 lb/ft <sup>2</sup> (219 kg/m <sup>2</sup> )	Min. 35 U.S. gal (133 liters) Max. 54 U.S. gal (204 liters)	89 lb (40.5 kg)	Not Available
<b>RIVA® 6</b> <b>LH</b>	72" (1829 mm) L 42" (1067 mm) W 20-1/2" ( 521 mm) H	16" (406 mm) A 11-1/2" (292 mm) B	Template Provided P/N P186000	TBD	TBD	TBD	Not Available

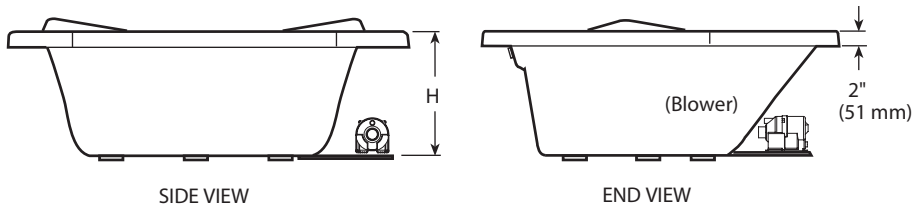
NOTE: The overall dimensions are nominal with a tolerance of +0 and -1/4" (6,4 mm) .

ELECTRICAL SERVICE REQUIREMENTS: Requires dedicated separate GFCI protected circuit 115 VAC, 15 AMP, 60 Hz.

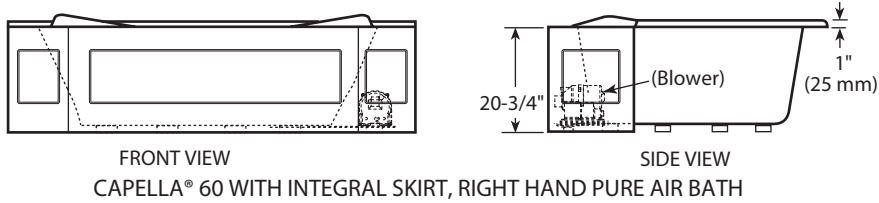
# SPECIFICATIONS

## CORNER BATHS

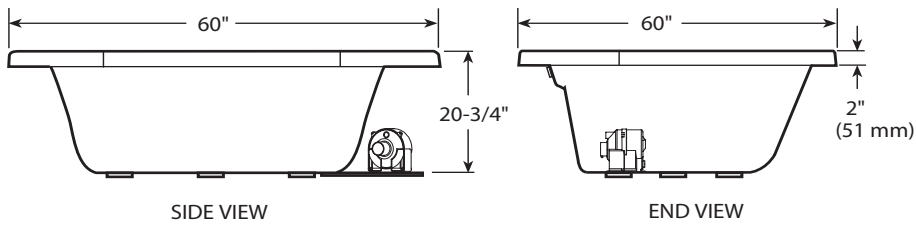
ENGLISH



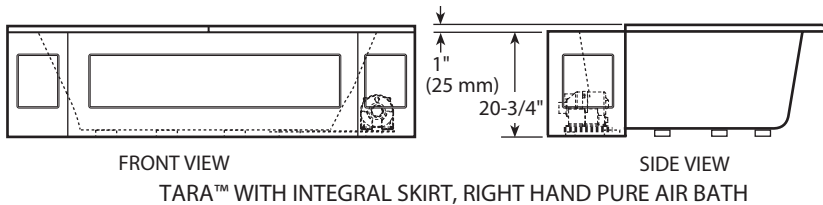
CAPELLA® 60, RIGHT HAND PURE AIR BATH



CAPELLA® 60 WITH INTEGRAL SKIRT, RIGHT HAND PURE AIR BATH



TARA™, RIGHT HAND PURE AIR BATH



TARA™ WITH INTEGRAL SKIRT, RIGHT HAND PURE AIR BATH

## SPECIFICATIONS (Corner) LH = LEFT HAND, RH = RIGHT HAND

MODEL	DIMENSIONS	DRAIN/OVERFLOW DIMENSIONS	CUTOUT	TOTAL WEIGHT/FLOOR LOADING	AVERAGE OPERATING GALLONAGE	PRODUCT WEIGHT	SKIRT & MOUNTING
CAPELLA® 60 RH	60" (1524 mm) L 60" (1524 mm) W 20-1/2" (521 mm) H	18" (457 mm) A 12-1/8" (308 mm) B	See Page 11	1197 lb (544 kg)/ 55.8 lb/ft <sup>2</sup> (272 kg/m <sup>2</sup> )	Min. 55 U.S. gal (208 liters) Max. 90 U.S. gal (341 liters)	150 lb (68 kg)	Optional
CAPELLA® 60 w/INTEGRAL SKIRT RH	60" (1524 mm) L 60" (1524 mm) W 20-1/2" (521 mm) H	18" (457 mm) A 12-1/8" (308 mm) B	NA	1217 lb (533 kg)/ 56.8 lb/ft <sup>2</sup> (277 kg/m <sup>2</sup> )	Min. 55 U.S. gal (208 liters) Max. 90 U.S. gal (341 liters)	170 lb (77 kg)	Integral
TARA™ RH	60" (1524 mm) L 60" (1524 mm) W 20-3/4" (527 mm) H	16" (406 mm) A 12-3/8" (314 mm) B	See Page 11	1152 lb (524 kg)/ 46.1 lb/ft <sup>2</sup> (225 kg/m <sup>2</sup> )	Min. 55 U.S. gal (208 liters) Max. 87 U.S. gal (329 liters)	130 lb (59 kg)	Optional
TARA™ w/INTEGRAL SKIRT RH	60" (1524 mm) L 60" (1524 mm) W 20-3/4" (527 mm) H	18" (457 mm) A 12-3/8" (314 mm) B	NA	1176 lb (535 kg)/ 47 lb/ft <sup>2</sup> (229 kg/m <sup>2</sup> )	Min. 55 U.S. gal (208 liters) Max. 87 U.S. gal (329 liters)	154 lb (70 kg)	Integral

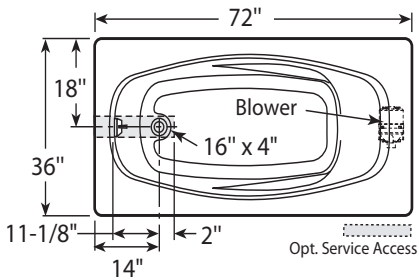
NOTE: The overall dimensions are nominal with a tolerance of +0 and -1/4" (6,4 mm) .

ELECTRICAL SERVICE REQUIREMENTS: Requires dedicated separate GFCI protected circuit 115 VAC, 15 AMP, 60 Hz.

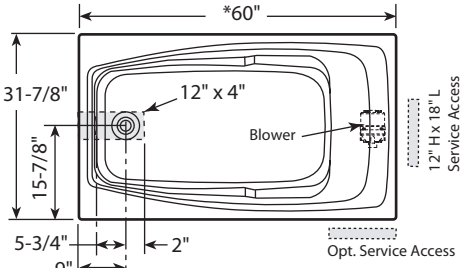


# ROUGHING-IN REFERENCE

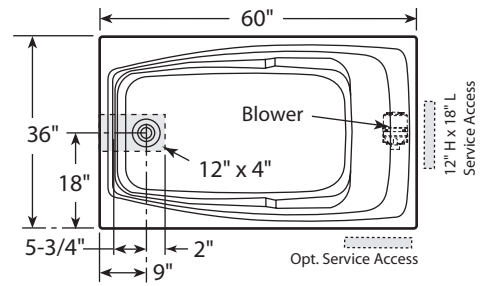
ENGLISH



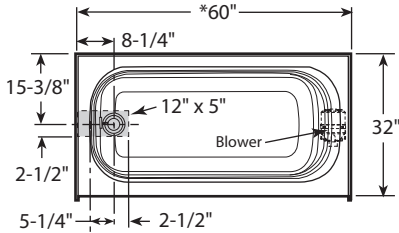
AMIGA™, LEFT HAND PURE AIR BATH



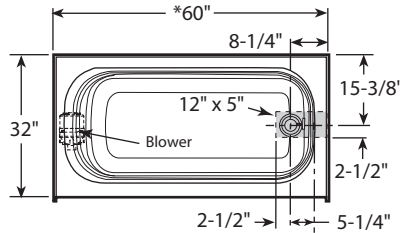
CETRA® 532, LEFT HAND AIR BATH



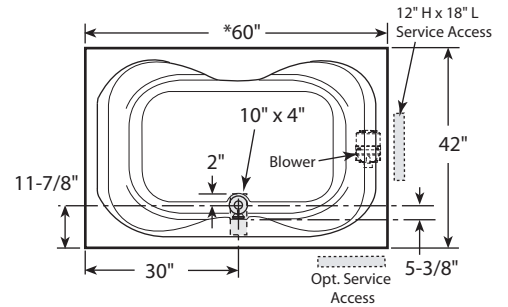
CETRA® 536, LEFT HAND PURE AIR BATH



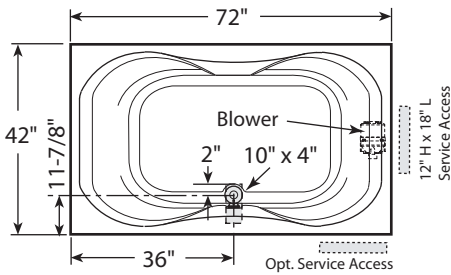
LUXURA™ 5 WITH INTEGRAL SKIRT,  
LEFT HAND AIR BATH



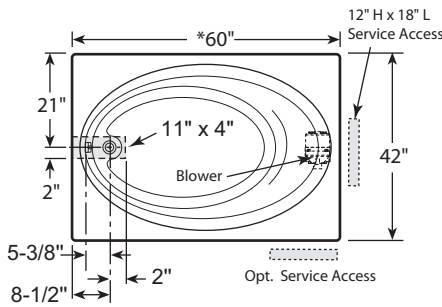
LUXURA™ 5 WITH INTEGRAL SKIRT,  
RIGHT HAND AIR BATH



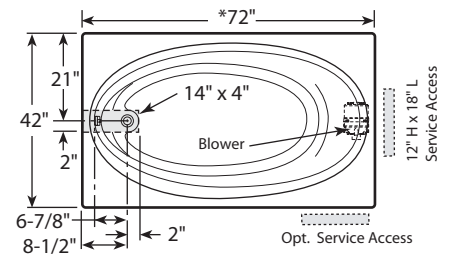
MITO® 5, RIGHT HAND AIR BATH



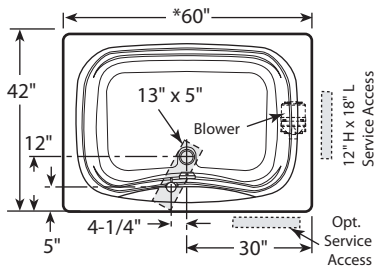
MITO® 6, RIGHT HAND PURE AIR BATH



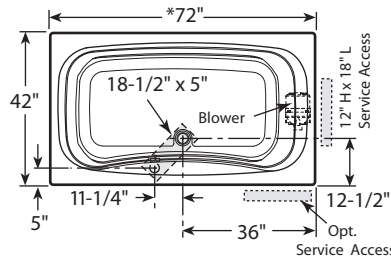
NOVA® 5, LEFT HAND AIR BATH



NOVA® 6, LEFT HAND AIR BATH



SIGNA® 5, RIGHT HAND AIR BATH



SIGNA® 6, RIGHT HAND AIR BATH

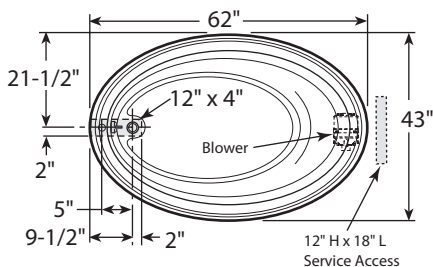
\* Add 1/4" (6,4 mm) to this dimension when roughing-in for 3-wall niche.

- NOTE:
1. Measurements inside each unit represent cutout in floor to allow for drain/overflow.
  2. Service Access dimensions given are minimum size.
  3. All measurements are in inches. To convert to millimeters, multiply inches by 25.4.

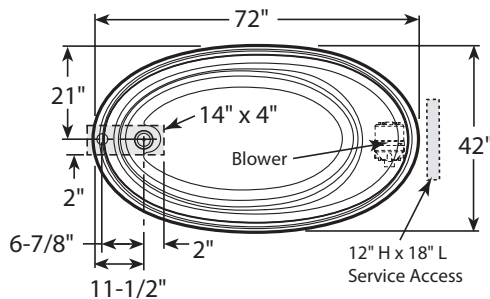
# ROUGHING-IN REFERENCE

NOTE: These units have been provided with cutout templates included in shipping carton.  
See CUTOUT information for each model on page 7.

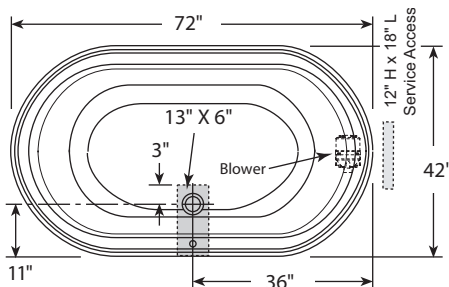
ENGLISH



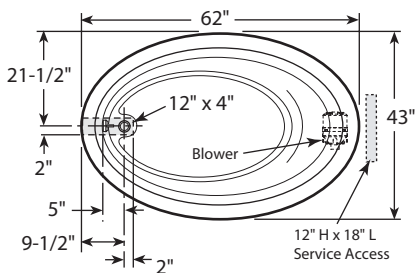
GALLERY™ 5, LEFT HAND  
PURE AIR BATH



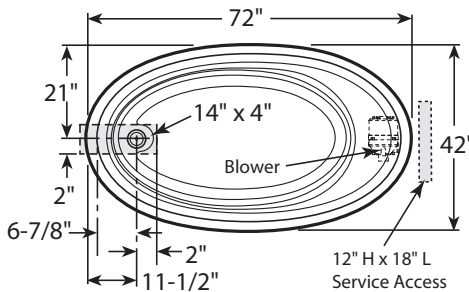
GALLERY™ 6, LEFT HAND  
PURE AIR BATH



LUNA™ RIGHT HAND AIR BATH



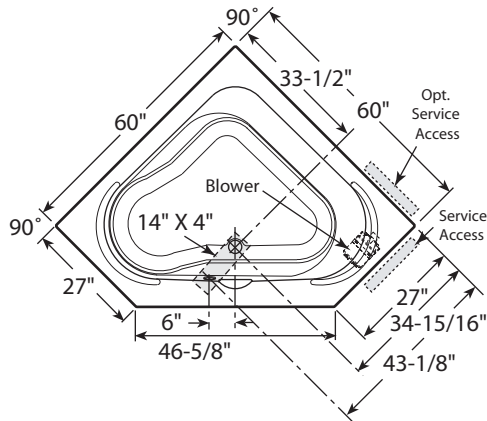
RIVA® 5, LEFT HAND AIR BATH



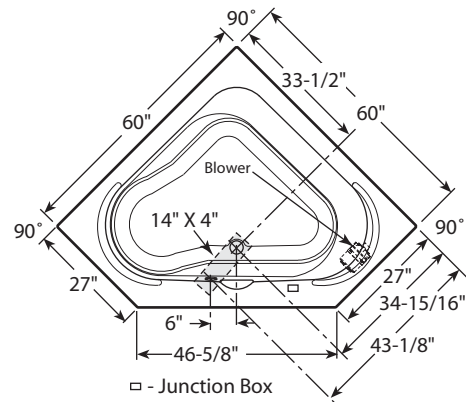
RIVA® 6, LEFT HAND AIR BATH

- NOTE:
1. Measurements inside each unit represent cutout in floor to allow for drain/overflow.
  2. Service Access dimensions given are minimum size.
  3. All measurements are in inches. To convert to millimeters, multiply inches by 25.4.

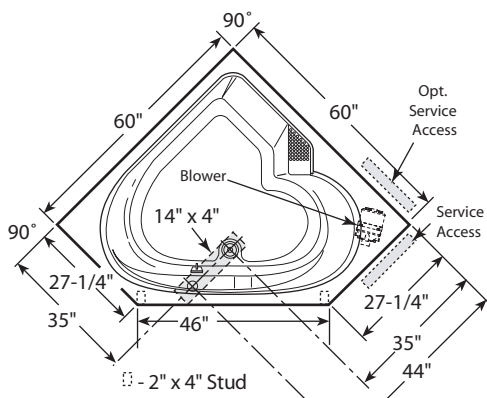
# ROUGHING-IN REFERENCE



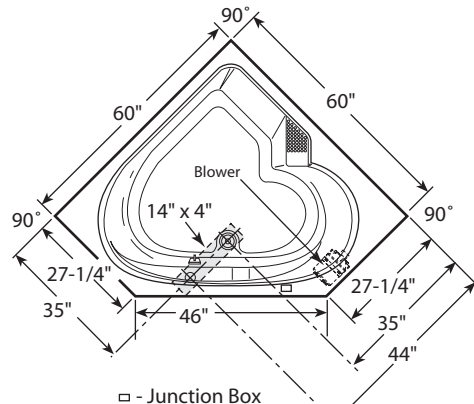
CAPELLA® 60 RIGHT HAND



CAPELLA® 60 WITH INTEGRAL SKIRT,  
RIGHT HAND AIR BATH



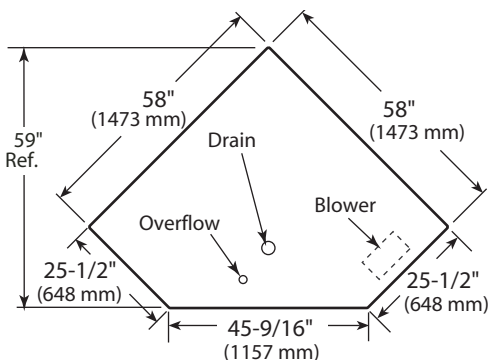
TARA™, RIGHT HAND  
AIR BATH



TARA™ WITH INTEGRAL SKIRT,  
RIGHT HAND AIR BATH

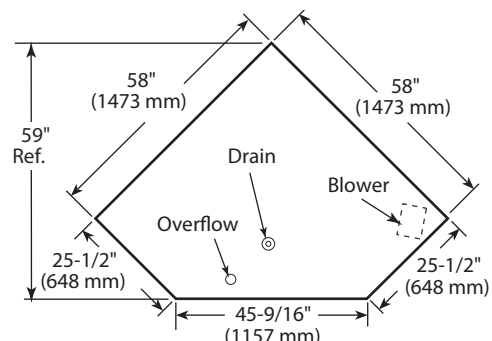
- NOTE:
1. Measurements inside each unit represent cutout in floor to allow for drain/overflow.
  2. Service Access dimensions given are minimum size.
  3. All measurements are in inches. To convert to millimeters, multiply inches by 25.4.

## CAPELLA® 60 CUTOUT



CAPELLA™ 60 CUTOUT

## TARA™ CUTOUT



TARA™ CUTOUT

# FRAMING AND SUPPORT

The drain/overflow of the bath extends below the bottom of the bath. Note that this requires a cutout in the floor.

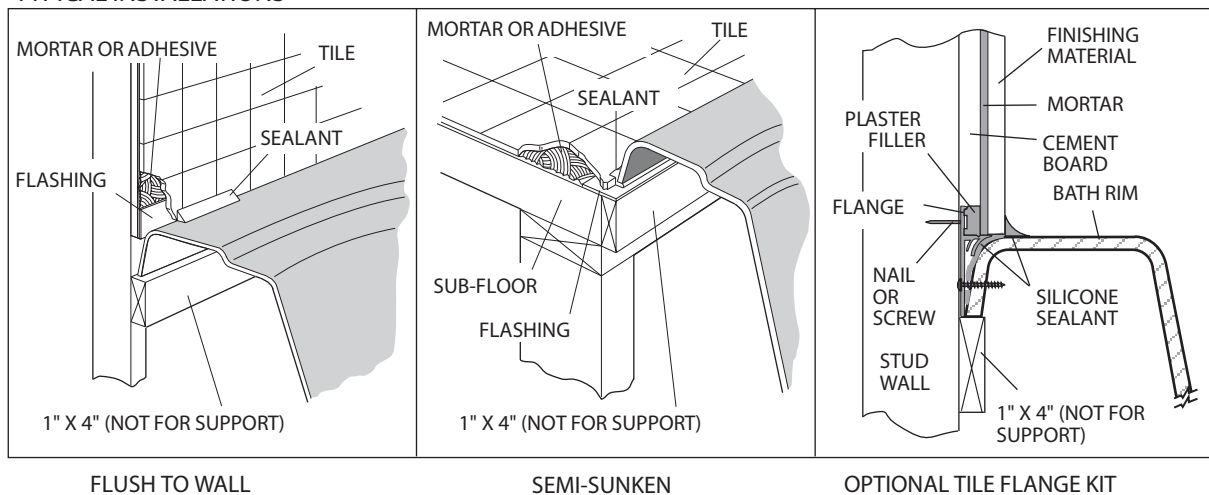
**The floor structure beneath the bath must be able to support a total weight of bath, water, and bather. Refer to the table under total weight for your model.** The unit must be supported from the bottom of the bath and **not** from the bath rim or tile flange. If the subfloor is level and a continuous surface, no other preparation is necessary. You can proceed to install the bath. If the subfloor is not level, you **MUST** level the entire surface prior to installing the bath. The use of materials that provide a level installation are allowed provided the method used will insure a level bath that is supported from the bottom. Materials that may be used are a floor leveling compound, mortar, plaster or minimal expansion structural foam having a density of a minimum of 5 lbs./cubic ft.; however the bath must remain level in order for it to drain properly and all foam feet must make full contact with the leveling material. Both sides of a joint or splice of subfloor should be level to each other. **When attaching baths with flanges to stud wall, use shims to fill any gaps between the bath flange and studs.**

The rim of the bath is not designed to support weight. If finish material is to overlap or contact the bath, the added weight must be fully self-supporting.

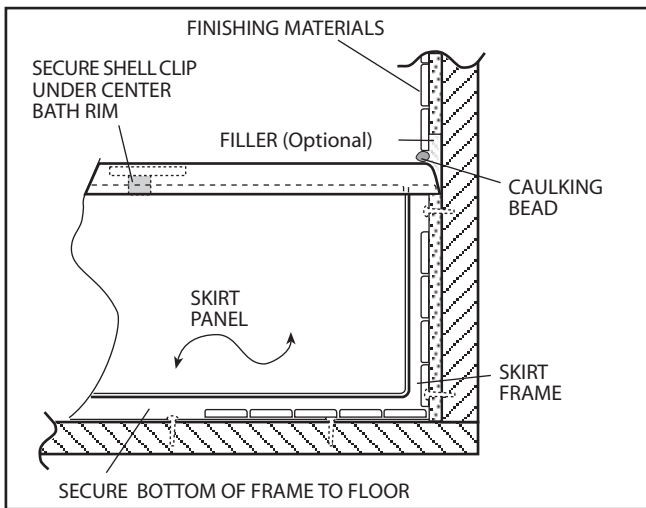
**The protective film liner inside the bath is used to prevent damage to the finish during installation. Before installation, remove liner to inspect for any defects, reapply and do not remove until final cleanup.**

**Important: If a skirt is to be used, it must be installed at the time of unit installation – refer to skirt installation instructions.** Install optional trim parts when all installation has been completed.

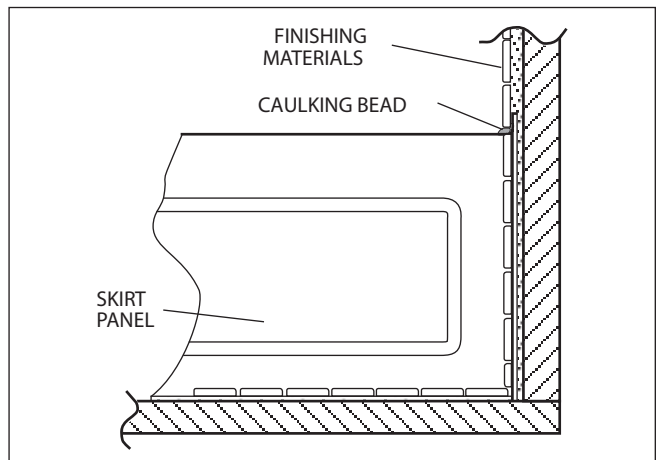
## TYPICAL INSTALLATIONS



## U FRAME SKIRT MOUNTING DETAIL



## INTEGRAL SKIRT MOUNTING DETAIL

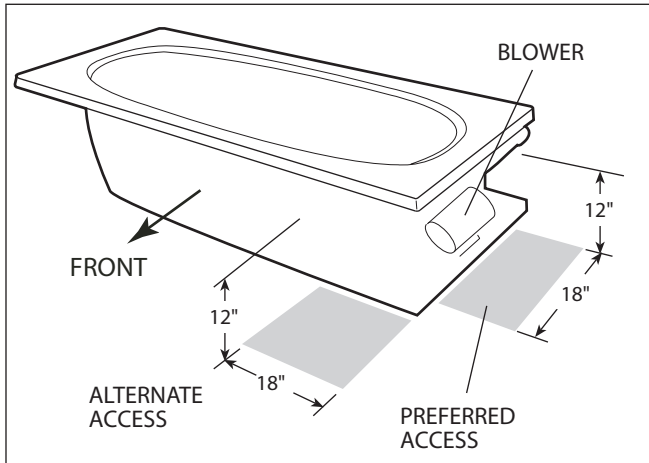


# SERVICE ACCESS

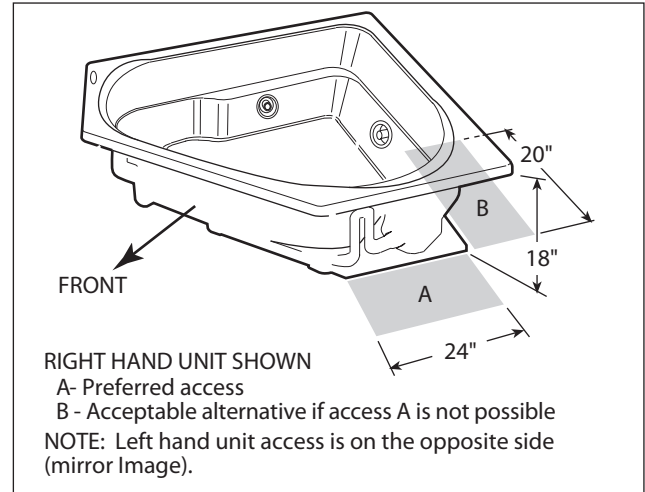
For partially or fully sunken installations, allow for access to service connections. It is the installer's responsibility to provide sufficient service access. The recommended minimum dimensions allowable for service to the bath are shown in the "Service Access" illustrations.

Provide adequate ventilation for cooling and to supply sufficient air for the blower. Do not insulate this area or around blower.

SERVICE ACCESS



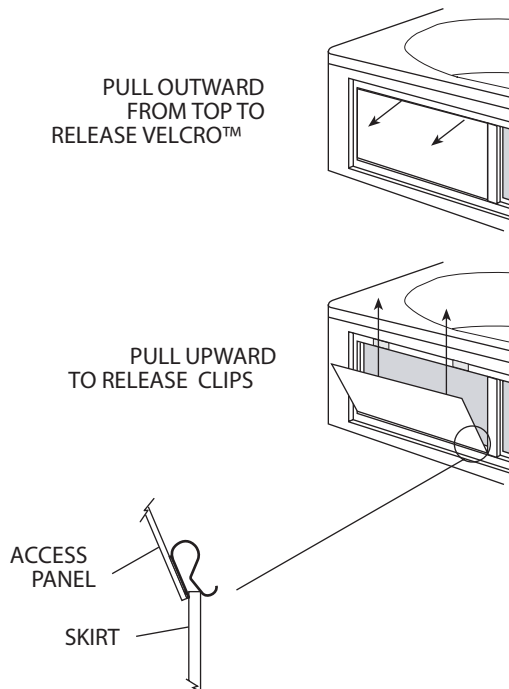
SERVICE ACCESS (NON-SKIRTED CORNER BATH)



# SERVICE ACCESS (SKIRTED UNITS)

To remove panel, grab the top of access panel and pull outward to release Velcro™. Then pull access panel upward to release holding clips.

To reinstall, engage holding clips onto skirt and then push panel forward to reengage Velcro™.

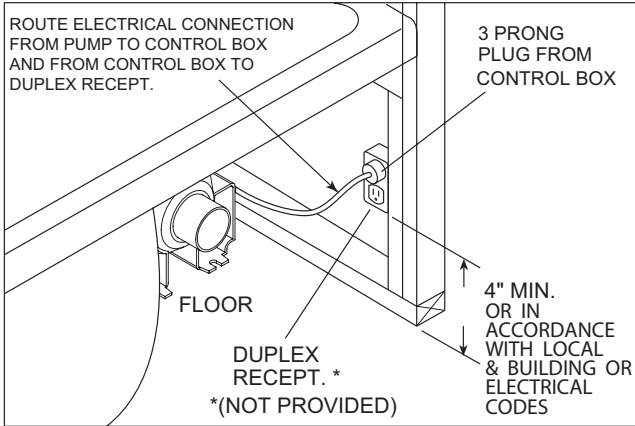


# ELECTRICAL CONNECTIONS

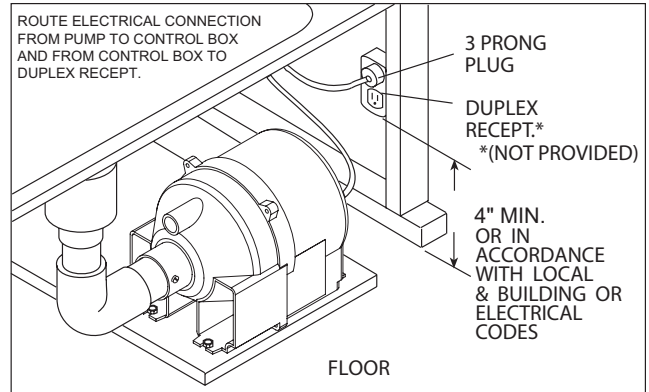
A separate circuit, which must be protected by a Ground Fault Circuit Interrupter (GFCI), is required. Install a duplex outlet to the studwall underneath the bathtub, at least 4 inches (102 mm) above the floor. The duplex outlet is not provided.

**DANGER: RISK OF ELECTRIC SHOCK. Connect only to a circuit protected by a Ground Fault Circuit Interrupter.**

## ELECTRICAL CONNECTION



## ELECTRICAL CONNECTION (FOR CORNER BATHS)



## Relocating the Blower Motor

For convenience and/or accessibility, the blower motor and fused control box can be installed in a remote location. The blower motor and fused control box must be relocated as a unit.

A separate circuit, which must be protected by a Ground Fault Circuit Interrupter (GFCI), is required in the remote location. Electrical connections should be performed by a licensed electrician. The remote location must be service accessible.

The total length of the air pipe must not require more than 15' (4,57 m) of piping and 6 directional changes. Pipe diameter must be 1-1/2" (38,1 mm) or larger. Choose a space as close to the bath as possible so the system works as efficiently as possible. This space must be at least 30 cubic feet (0,85 cubic meters) and the blower must be mounted at least 2" (50,8 mm) above the floor and 2" (50,8 mm) minimum away from any wall. The blower must not be installed in an attic area.

NOTE: Do not remove the inverted "U" loop and check valve as shown in the illustrations. Glue the air pipe and let set overnight before attaching the blower with screw.

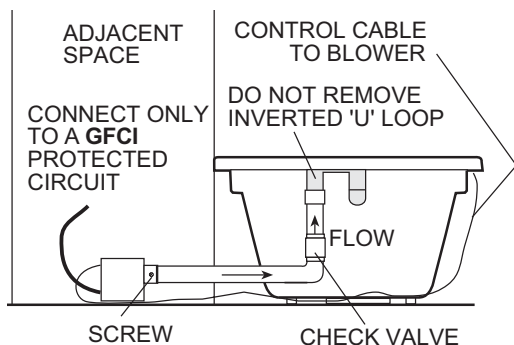
NOTE: Installing the Blower in a remote location will reduce system efficiency.

**CAUTION:** It is imperative to let the glued blower air pipe set overnight as there may be fumes from the glue that could be ignited if not allowed to dissipate.

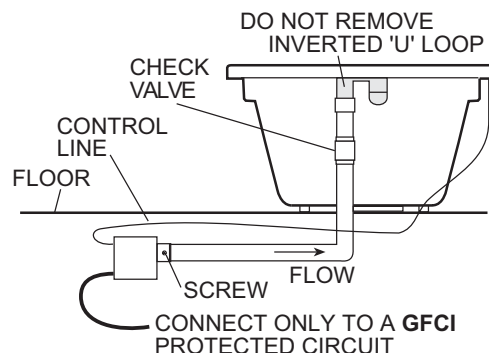
Provide adequate ventilation in the remote location for cooling the motor and to supply sufficient air for the blower. The intake of the blower must not be blocked, restricted or have any debris around it that can potentially be sucked into blower. Insulation on the air pipe length can reduce heat loss.

NOTE: Relocated blower requires a service access for the control box and blower.

## REMOTE LOCATION IN AN ADJACENT SPACE



## REMOTE LOCATION UNDER FLOOR



## DRAIN INFORMATION

A drain/overflow assembly (sold separately) must be installed on the bath, water tested, and connected to the sanitary system of the house. After opening the carton, inspect for damage and verify that the kit is of the proper finish. Follow the installation instructions provided with the drain/overflow kit. After the drain is fully installed, test for proper drainage. If the unit does not drain properly, rectify this condition before proceeding with the installation. Jacuzzi Whirlpool Bath is not responsible for removal and or reinstallation costs.

**NOTE: Watertight installation of the drain is the installer's responsibility. Drain leakage is excluded from the warranty of this product.**

## PLUMBING

All Comfort Series Air Baths are factory tested for proper operation and watertight connections prior to shipping. If leaks are detected, notify your dealer. Do not install the unit.

## WATER SUPPLY

Consult local authorities for plumbing code requirements in your area.

**IMPORTANT: Proper installation of the fill spout plumbing and compliance with local codes are the responsibility of the installer. Jacuzzi Whirlpool Bath does not warrant connections of water supply fittings and piping, fill systems, or drain/overflow systems. Nor is it responsible for damage to the bath which occurs during installation.**



**CAUTION: A nonflammable protective barrier must be placed between soldering work and bath unit to prevent damage to the bath.**

## Clean-Up After Installation

To avoid dulling and scratching the surface of the bath, never use abrasive cleaners. A mild liquid detergent and warm water will clean soiled surfaces.

Remove spilled plaster with a wood or plastic edge. Metal tools will scratch the surface. Spots left by plaster or grout can be removed if lightly rubbed with detergent on a damp cloth or sponge.

Paint, tar, or other difficult surface stains can be removed with paint thinner, turpentine, or isopropyl alcohol (rubbing alcohol). **NOTE:** Use these chemicals only on SURFACE stains.

Minor scratches which do not penetrate the color finish can be removed by lightly sanding with 600-grit wet/dry sandpaper. You can restore the glossy finish to the acrylic surface of the bath with a special compound, Meguiar's #10 Mirror Glaze. If that is not available, use automotive rubbing compound followed by an application of automotive paste wax.

Major scratches and gouges which penetrate the acrylic surface will require refinishing. Ask your dealer for special instructions or visit our web site at <http://www.jacuzzi.com/>.

To find service agent listings for:

Electrical or Mechanical Repairs visit <http://jacuzzi.com/pdf/ASA.PDF>

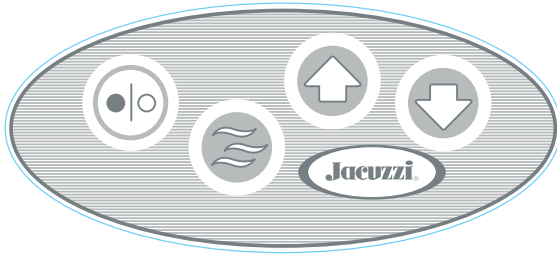
Finish, Surface, or Shell-Related Repairs visit <http://jacuzzi.com/pdf/AFC.PDF>

Repair Parts or Accessories visit <http://jacuzzi.com/pdf/MPD.PDF>



# OPERATING INSTRUCTIONS

## Control Panel Operation



**Normal Mode:** Press this button to turn the blower ON. The blower will be on for 20 minutes. The intensity may be changed by using either the up arrow button or the down arrow button. Pressing this button a second time will turn the blower OFF. **When the blower is turned OFF the blower will continue to run for 10 seconds to allow the heater element to cool.**



**Wave Mode:** Press this button to change the blower's power from a minimum to a user defined maximum. Press this button a second time to return to normal mode where the blower's power is constant.



In the Normal mode with the blower power constant, press the UP arrow to increase or the DOWN arrow to decrease. In Wave mode these buttons change the blower's power to a user defined maximum.

## MAINTENANCE

### Purging the Bath

If the bubble function is used, 60 minutes after the control has shut off (either with the ON/OFF button or at the end of a 20 minute cycle), the blower will come on for a 1 minute purge cycle to blow water out of the piping of the system.

If the bath is used without the bubble function, turn the blower ON then OFF. The blower will come on in 60 minutes for one minute.

A 24 hour purge cycle can be programmed to come on at the same time every day. To activate, hold the **UP** arrow button for 5 seconds when the blower/heater is off or waiting for the normal purge. If the unit is in standby for the normal purge when activating the 24 hour cycle, the normal purge will be cancelled. The purge will then come on at the same time every day. To cancel the 24 hour cycle, press the **UP** arrow button.

### Cleaning the Bath Surface

To clean your bath, simply use a mild, nonabrasive liquid detergent solution. You can protect and restore the gloss to a dulled acrylic surface by applying Meguiar's #10 Mirror Glaze, a product specifically designed for use on acrylic finishes. If Meguiar's is not available, an acrylic polish of equal quality or automotive paste wax is acceptable.

**Never use abrasive household cleaners on any Comfort Series Air Bath product.**

### Repairs to the Surface

Major scratches and gouges which penetrate the acrylic surface will require refinishing. Ask your Jacuzzi Whirlpool Bath dealer for special instructions. See also Clean-up After Installation.



# AUTHORIZED SERVICE

If you need a referral for a service company near you, or need assistance with operation or maintenance related questions, please call our Service Support Department at 1-800-288-4002. Visit our web site at <http://www.jacuzzi.com/> for products and services.

To find service agent listings for:

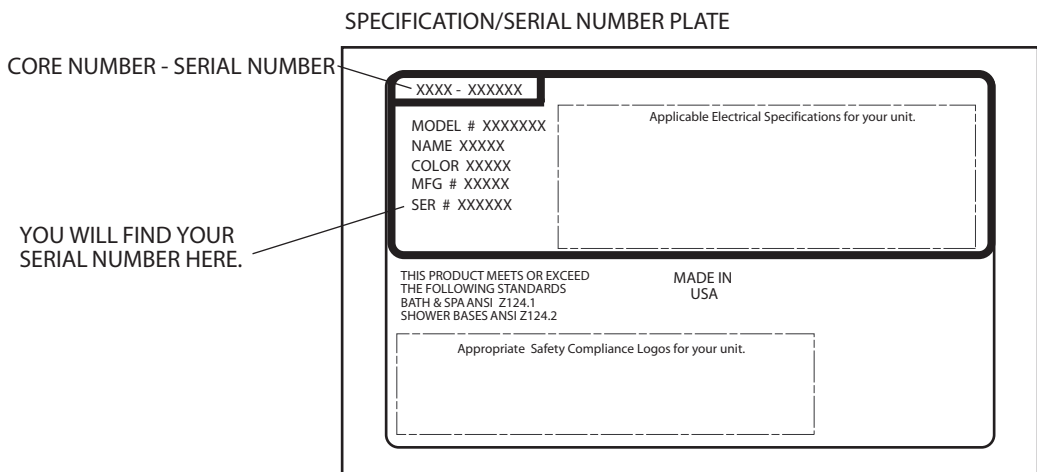
Electrical or Mechanical Repairs visit <http://jacuzzi.com/pdf/ASA.PDF>

Finish, Surface, or Shell-Related Repairs visit <http://jacuzzi.com/pdf/AFC.PDF>

Repair Parts or Accessories visit <http://jacuzzi.com/pdf/MPD.PDF>

When requesting service or technical assistance please have available both the model and serial number of your unit. This information can be obtained from the product registration card provided with your unit. If the card has been misplaced, this information can be obtained from the specification/serial number label on the unit itself (for location of specification/serial number label see below).

The label is located on the wall of the bath near the blower.



---

**PRODUCT SPECIFICATIONS ARE SUBJECT TO CHANGE WITHOUT NOTICE.  
USE INSTALLATION INSTRUCTIONS SUPPLIED WITH PRODUCT.**

The Company has obtained applicable code (standards) listings generally available on a national basis for products of this type. It is the responsibility of the installer/owner to determine specific local code compliance prior to installation of the product. The Company makes no representation or warranty regarding, and will not be responsible for any code compliance.

---

Jacuzzi Whirlpool Bath  
14801 Quorum Dr., Suite 400, Dallas, TX 75254  
**Service Support:** 1-800-288-4002

©2004 BM62000C 2/06



Printed on Recycled Paper

Printed in the U.S.A.

# Comfort Series® Bath Limited Warranty

## WARRANTY COVERAGE

Jacuzzi Whirlpool Bath (the Company) offers the following express limited warranty to the original purchaser of any Comfort Series air bath ("unit") who purchases the product for personal or single family use ("user"). The Company will repair or replace, at its option, the unit or its equipment in accordance with the following terms and conditions. The terms of the warranty will be administered by Jacuzzi Whirlpool Bath.

## TWO YEAR LIMITED WARRANTY ON BATHS

Our limited warranty on Comfort Series Air Baths is for two (2) years. Our warranty covers the unit and factory-installed components (e.g., air pump) against defects in material or workmanship. Warranty coverage begins on the date the unit was originally purchased by the user.

## NINETY DAY (PARTS ONLY) LIMITED WARRANTY ON OPTIONS AND ACCESSORIES

Our limited warranty on options and accessories manufactured by the Company is for ninety (90) days for parts only. Our warranty covers options and accessories manufactured by the Company (e.g., fill spout kits) against defects in materials or workmanship. Warranty coverage begins on the date the option or accessory was originally purchased by the user.

## WARRANTY LIMITATIONS

Our limited warranty does not cover defects, damage, or failure caused by the common carrier, installer, user, or other person, or resulting from, without limitation, any of the following: careless handling (lifting unit by plumbing, abrading finish, etc.); modification of any type for any reason (including modification to meet local codes); improper installation (including installation not in accordance with instructions and specifications provided with the unit); connections supplied by the installer of the equipment; improper voltage supply or unauthorized electrical modification; misuse; incorrect operation, or lack of proper routine maintenance; operation of the unit without specified minimum amount of water or at inappropriate water temperature; use of abrasive or improper cleaners; or acts of God, such as lightning, floods, earthquakes, etc.

In addition, THE COMPANY WILL NOT BE RESPONSIBLE FOR INCIDENTAL OR CONSEQUENTIAL DAMAGES or losses arising from any cause (e.g., water damage to carpet, ceiling, loss of use, etc.) including its own negligence; damages to, respecting, or resulting from: optional bath equipment not manufactured by the Company but supplied by Dealer, installer or the Company; the unit's prior usage as an operational display; or defects that should have been discovered before installation. This limited warranty does not include: labor, transportation, or other costs incurred in the removal and/or reinstallation of the original unit and/or installation of a replacement unit; any costs relating to obtaining access for repair; or loss of use damage, including loss of sales, profit or business advantage of any kind under any circumstances. Bath units are excluded from any warranty coverage if any addition, deletion, or modification of any kind whatsoever has been made to the unit (or to any component).

Warranty coverage is provided in the United States of America and Canada only.

## EXCLUSION OF IMPLIED WARRANTIES

IMPLIED WARRANTIES OF MERCHANTABILITY AND FITNESS FOR A PARTICULAR PURPOSE ARE DISCLAIMED ALTOGETHER OR TO THE FULL EXTENT ALLOWED BY LAW.

NOTICE: This warranty gives you specific legal rights, and you may also have other rights which vary from state to state. There are no warranties applicable to Comfort Series Air Baths except as expressly stated herein or as implied by applicable state and federal laws. The Company will not be responsible for any statements or representations made in any form that go beyond, are broader than or are inconsistent with any authorized literature or specifications furnished by the Company.

Some states do not allow limitations on how long an implied warranty lasts, or the exclusion or limitation of incidental or consequential damages, so the above limitations and exclusions may not apply to you.

## RETURN OF WARRANTY CARD

The attached Warranty Registration Card MUST be filled out by the purchaser within thirty (30) days from purchase and mailed in order for this warranty to become effective.



Jacuzzi Whirlpool Bath  
14801 Quorum Dr., Suite 400  
Dallas, TX 75254

## RESPONSIBILITIES OF OTHERS

Inspecting the unit prior to installation is the responsibility of the installer or building contractor who acts on behalf of the user. They are responsible for ensuring the unit is free of defect or damage. Notices are placed on and in the unit and on the shipping carton advising the installer of this responsibility. In the event of a problem, the unit must not be installed. The Company is not responsible for failures or damage that could have been discovered, repaired, or avoided by proper inspection and testing prior to installation.

Damage occurring in transit is the responsibility of the carrier. The user or installer MUST open the crate and inspect the unit for damage when it is delivered. If damage is discovered, it must be reported immediately to the seller and the carrier in writing, and an inspection requested. Failure of the carrier to respond should be reported to the seller and the carrier. Your freight claims should be filed promptly thereafter.

It is the responsibility of the installer, building contractor, or user to provide access for service. The Company is not responsible for any costs relating to obtaining access for repair. The user shall bear such costs and, if appropriate, must seek recovery from the installer.

Damage occurring to the unit during installation is the responsibility of the installer and/or building contractor and damage occurring thereafter is the responsibility of the user.

Failure of any optional equipment is the sole responsibility of the equipment manufacturer. (Options and accessories manufactured by the Company are warranted for ninety (90) days from the original date of purchase for parts only.)

The Distributor or Dealer is responsible for knowing local code requirements and notifying the installing contractor and/or user of these requirements at the time of purchase. The Company is not responsible for costs to modify any product to obtain any code approval, such as city, county, or state building codes in U.S.A. or municipal or provincial codes in Canada.

## WARRANTY SERVICE

For the customer's benefit, the Company maintains a list of independent service personnel to perform required warranty service repairs. Such firms are not agents or representatives of the Company and cannot bind the Company by words or conduct.

The Company will provide the warranty service described above when the following conditions have been met: the failure is of the nature or type covered by the warranty; the user has informed an Authorized Service Agent or Warranty Service Department Representative of the nature of the problem during the warranty period; conclusive evidence (e.g., proof of purchase or installation) is provided to the foregoing by the user proving that the failure occurred or was discovered within the warranty period; an authorized independent service person or Company representative has been permitted to inspect the unit during regular business hours within a reasonable time after the problem was reported by the user.

If order to obtain warranty service, call the warranty service number below for the location of the nearest Authorized Service Agent or write:

Jacuzzi Whirlpool Bath  
Warranty Service Department  
14801 Quorum Dr., Suite 400  
Dallas, TX 75254  
Call: 1-800-288-4002

To obtain warranty replacement for factory-installed components for Company supplied options and accessories manufactured and supplied by the Company, call or write the above. Provide a description of the problem and proof of purchase. You will be instructed how to obtain replacements and where to return, at your expense, the failed component(s), option(s), or accessory(ies).

All replacement parts, equipment, and repairs shall assume the remaining warranty period of the part(s) replaced.

The Company's warranty obligation shall be discharged upon tender of replacement or repair. The customer's refusal to accept the tender terminates the Company's warranty obligation.

© 2004 Jacuzzi Whirlpool Bath BM62000C 2/06

Ninety-Day  
Parts Only  
Limited Warranty  
On  
Accessory(ies)

Ninety-Day  
Parts Only  
Limited Warranty  
On  
Accessory(ies)



### Comfort Series® Air Bath Warranty Registration Card

This card must be filled out and returned to the address printed on the other side within thirty (30) days from date of purchase in order for this warranty to be come effective.

Purchaser's Name \_\_\_\_\_  
 Purchaser's Address \_\_\_\_\_  
 City \_\_\_\_\_ State \_\_\_\_\_ Zip \_\_\_\_\_  
 Date of Purchase \_\_\_\_\_  
 Model Name \_\_\_\_\_  
 Serial Number \_\_\_\_\_  
 Dealer's Name \_\_\_\_\_  
 Dealer's Address \_\_\_\_\_

1. How did you first hear about this Comfort Series® Air Bath product?  
 Advertisement  Article in Magazine/Newspaper  
 Visited Dealer/Plumbing Supplier  Yellow Pages  
 Builder/Plumber/Remodeler  Decorator/Architect  
 Visited Retailer/Home Center Store  
 Word of Mouth ... Friend/Relative/Acquaintance  
 Other (Please Describe) \_\_\_\_\_
2. Who first gave you specific information about this product (specifications, prices, etc.)?  
 Dealer/Plumbing Supplier  Builder  Remodeler  
 Plumbing Contractor  Retailer/Home Center Store  
 Decorator/Architect  Already Installed
3. What was the main reason for purchase?  
 Styling  Warranty Service  Product Features  
 Brand Name  Price  Home Resale  
 Other \_\_\_\_\_
4. Who finally decided which product you would buy?  
 Self  Spouse  Self and Spouse Together  
 Other Family Member  Designer/Architect  
 Builder/Plumber/Remodeler  Already Installed  
 Who installed?  Already installed/New Home  
 Contractor/Plumber when remodeling  
 Self/Spouse when remodeling  
 Other \_\_\_\_\_
6. What is the current market value of this property?  
 Please estimate \$ \_\_\_\_\_
7. What is the age of the head of the household? \_\_\_\_\_ years
8. What other manufacturers did you consider?  
 Eiler  Lasco  Price Plister  Aqua Glass  
 Kohler  American Standard  Sterling  
 Other (Specify) \_\_\_\_\_
9. How long did you shop before purchasing unit?  
 1 day  2 months - 6 months  
 2-7 days  6 months - 1 year  
 1 week - 2 weeks  1 year - 2 years  
 2 weeks - 4 weeks  +2 years  
 1 month - 2 months
10. Approximately how long have you lived in this home?  
 Please indicate, approximately, the total annual income of your household.  
 Up to \$24,999  \$50,000 to \$74,999  
 \$25,000 to \$29,999  \$75,000 to \$99,999  
 \$30,000 to \$39,999  \$100,000 to \$149,999  
 \$40,000 to \$49,999  \$150,000 and Above
12. Was your purchase process?  
 Very easy  Easy  Difficult  Very Difficult