

Duetta 6042 Pure Air Bath



Product Codes beginning with: DUE6042ACR

Also applies to products sold under part numbers: LH10, LH30

TECHNICAL SPECIFICATIONS

	English	Metric
Outer Dimensions	60" L x 42" W x 26" H	1524 mm L x 1067 mm W x 660 mm H
Interior Dimensions (bottom of bath) L x W (Mid) x W (End)	32" L x 23 1/2" W x 23 1/2" W	813 mm L x 597 mm W x 597 mm W
Drain/Blower Configuration	Center drain/Right end blower	Center drain/Right end blower
Bath Weight (empty)	132 lbs	60 kg
Total Weight/Floor Loading	1,073 lbs 61.3 lbs/ft ²	487 kg 299.1 kg/m ²
Operating Gallonage (min-max)	47 (min) 83 (max) U.S. Gals	178 (min) 314 (max) L
Electrical Specifications	Each component requires a separate, dedicated GCFI protected circuit(s)	
Blower		120V 15A 60HZ
Chromatherapy (if selected)		120V 15A 60HZ

FEATURES, UPGRADES & ACCESSORIES

Material Type: High-Gloss Acrylic

Install Type: Drop-in or Undermount

Available Colors: White (W), Almond (A), Oyster (Y), Black (B)

Cut-out Template: DA09000

Standard (Included) Features:

Chromatherapy lighting, 800w blower, bottom and side air channels

Available Control Systems:

J4 Luxury Control Panel (standard)

J5 Luxury LCD Control Panel

Available Upgrades:

900w blower (with J5 LCD Control Panel)

Available Accessories:

DA34 Rotary Drain Kit PVC (specify metal finish)

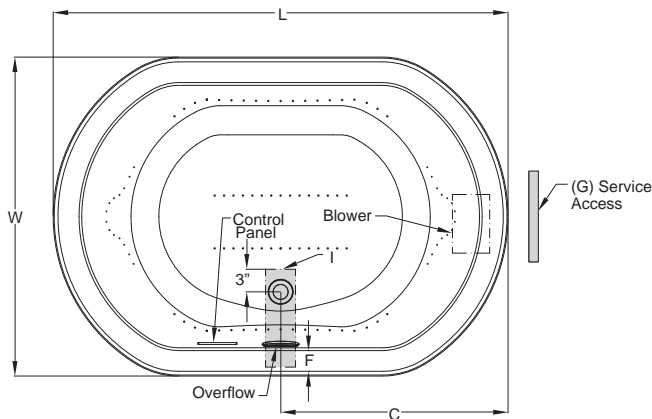
HP55 Rotary Drain Kit (specify metal finish)

827: Chrome, 826: Brushed Nickel, 845: Oil Rubbed Bronze

C263 Curved Pillow (specify color) 959: White, 958: Almond, 969: Oyster

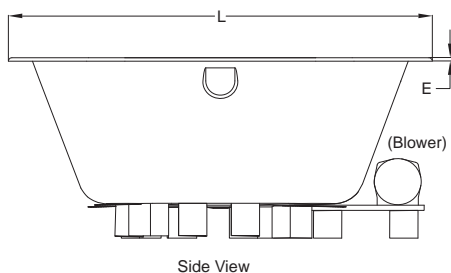
GQ88 Light Chromatherapy Add-on Kit

KEY DIMENSIONS

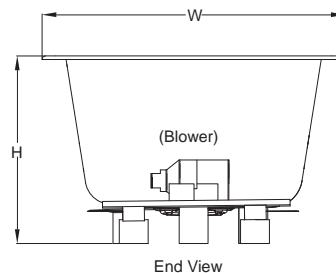


*Deck width reflects only area indicated on detail.

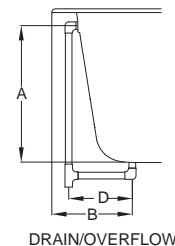
Letter	Description	English	Metric
L	Outer Length	60"	1676 mm
W	Outer Width	42"	914 mm
H	Overall Height	26"	660 mm
A	Overflow Height	18 3/8"	467 mm
B	Long Edge to Drain Center	11"	279 mm
C	Short Edge to Drain Center	30"	762 mm
D	Drain Shoe Length	7 1/4"	183 mm
E	Deck Height	1/2"	13 mm
F	Deck Width*	3 7/8"	98 mm
G	Service Access Dimensions	12" H x 18" L	305 mm x 457 mm
I	Floor Cut-out for Drain	13" x 4"	330 mm x 102 mm



Side View



End View



DRAIN/OVERFLOW

NOTE: Graphics May Not be to Scale