

## Capella® 5555 Whirlpool And Soaking Skirted Bathtubs

Letter	Description	Whirlpool	Soaking
-	Drain Location	Center Drain	
-	Whirlpool Pump Location	Right Hand	N/A
-	Cutout	P/N EX79000	
-	Total Weight	975 lb (442 kg)	950 lb (431 kg)
-	Floor Loading	46 lb/ft <sup>2</sup> (225 kg/m <sup>2</sup> )	45 lb/ft <sup>2</sup> (220 kg/m <sup>2</sup> )
-	Operating Gallons (Min/Max)	51 Gal (204L) / 72 Gal (273L)	
-	Product Weight	125 lb (57 kg)	100 lb (45 kg)
L	Outer Length	55.00" (1397 mm)	
W	Outer Width	55.00" (1397 mm)	
H	Overall Height	20.50" (521 mm)	
A	Overflow Height	17.50" (445 mm)	
B	Long Edge to Drain Center	9.63" (245 mm)	
C	Short Edge to Drain Center	32.50" (826 mm)	
D	Drain Shoe Length	8.50" (216 mm)	
E	Flange Height	1.00" (25 mm)	
F	Deck Width	3.50" (89 mm)	
G	Service Access	12.00 x 18.00" (305 x 457 mm)	N/A
I	Floor Cutout for Drain	12.00 x 4.00" (305 x 102 mm)	
J	Interior Dimensions: J(W) x J(L)	30.00 x 44.00" (762 x 1118 mm)	

### NOTE

The overall dimensions are nominal with a tolerance of +0 and -.25" (6mm).

#### Electrical Specifications

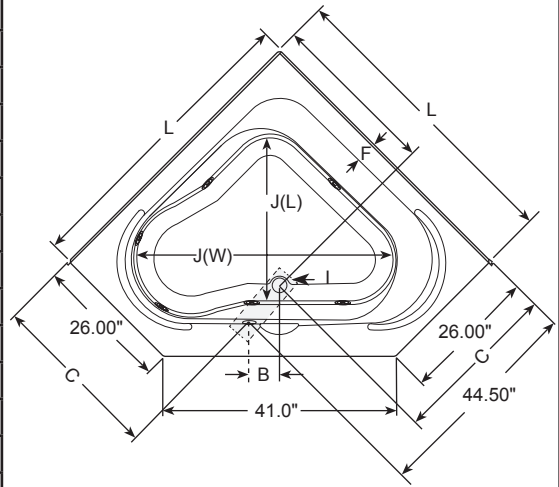
(Each component requires a separate, dedicated GFCI protected circuit)

Motor/Pump

120V 15A 60HZ

Heater (optional)

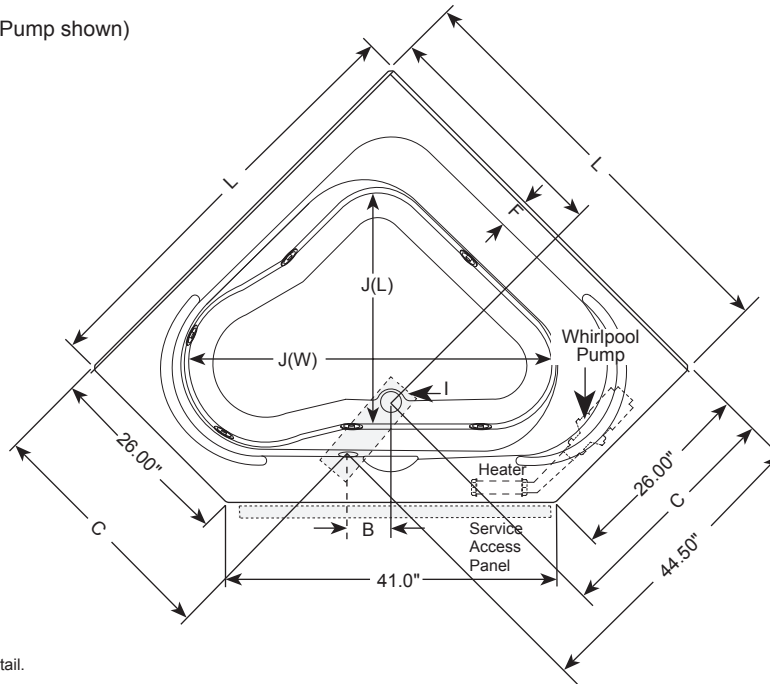
120V 15A 60HZ



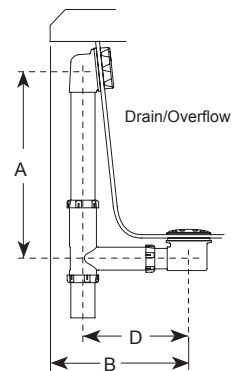
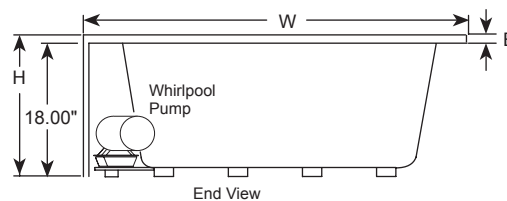
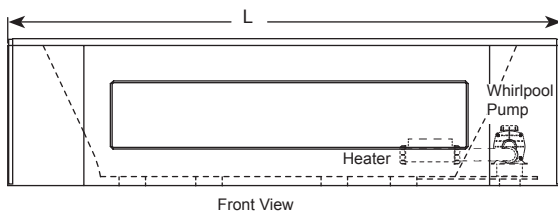
Corner Soaking Skirted Bathtub

## Key Dimensions

(Center Drain / Right Side Whirlpool Pump shown)



\*Deck width reflects only area indicated on detail.



NOTE: Drawings not to scale.