



**Catalina® Low-Profile Corner Shower Pans**

Letter	Description	3636	4242
-	Drain Location	Center	
-	Total Weight	279 lbs (127 kg)	290 lbs (132 kg)
-	Floor Loading	31 lb/ft <sup>2</sup> (151 kg/m <sup>2</sup> )	24 lb/ft <sup>2</sup> (117 kg/m <sup>2</sup> )
-	Product Weight	29 lbs (13 kg)	40 lbs (18 kg)
L	Outer Length	36" (914 mm)	42" (1067 mm)
W	Outer Width	36" (914 mm)	42" (1067 mm)
H	Overall Height	3.25" (83 mm)	3.25" (83 mm)
B	Back Edge to Drain Center	18" (457 mm)	21" (533 mm)
C	Side Edge to Drain Center	18" (457 mm)	21" (533 mm)
D	Threshold Height	2" (51 mm)	2" (51 mm)
E	Flange Height	1.25" ( mm)	1.25" ( mm)
F	Threshold Width	3" (76 mm)	3" (76 mm)
G	Floor Cutout for Drain	5" x 5" (127 mm x 127 mm)	5" x 5" (127 mm x 127 mm)

**NOTE**

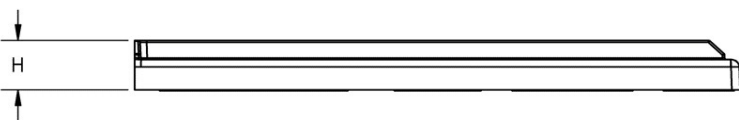
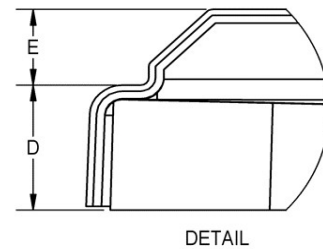
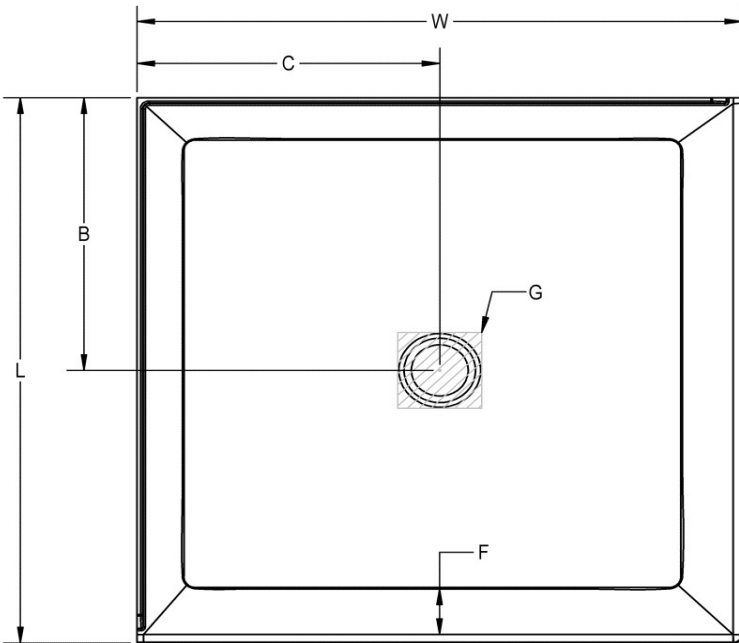
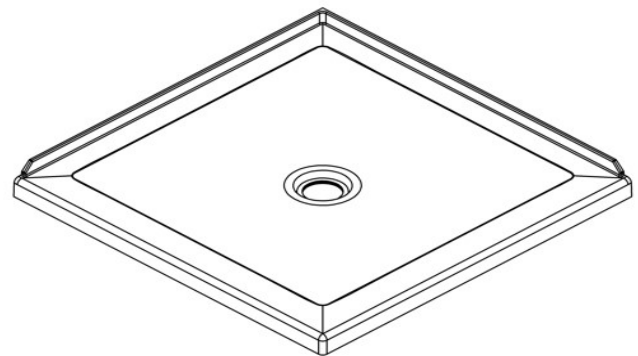
The overall dimensions are nominal with a tolerance of +0 and -.25" (6 mm).

Compatible for either left-hand or right-hand corner installations.

Shower Drain Not Included.

Drain Cap (Not Included): MM23959

**KEY DIMENSIONS**



©2023 Jacuzzi Luxury Bath • For additional information, call Customer Service 800-288-4002 • [www.jacuzzi.com/baths](http://www.jacuzzi.com/baths)  
 Refer to installation instructions included with fixture before beginning installation. Please confirm product availability and specifications before commencing with any installation work.

PRODUCT SPECIFICATIONS AND AVAILABILITY ARE SUBJECT TO CHANGE WITHOUT NOTICE