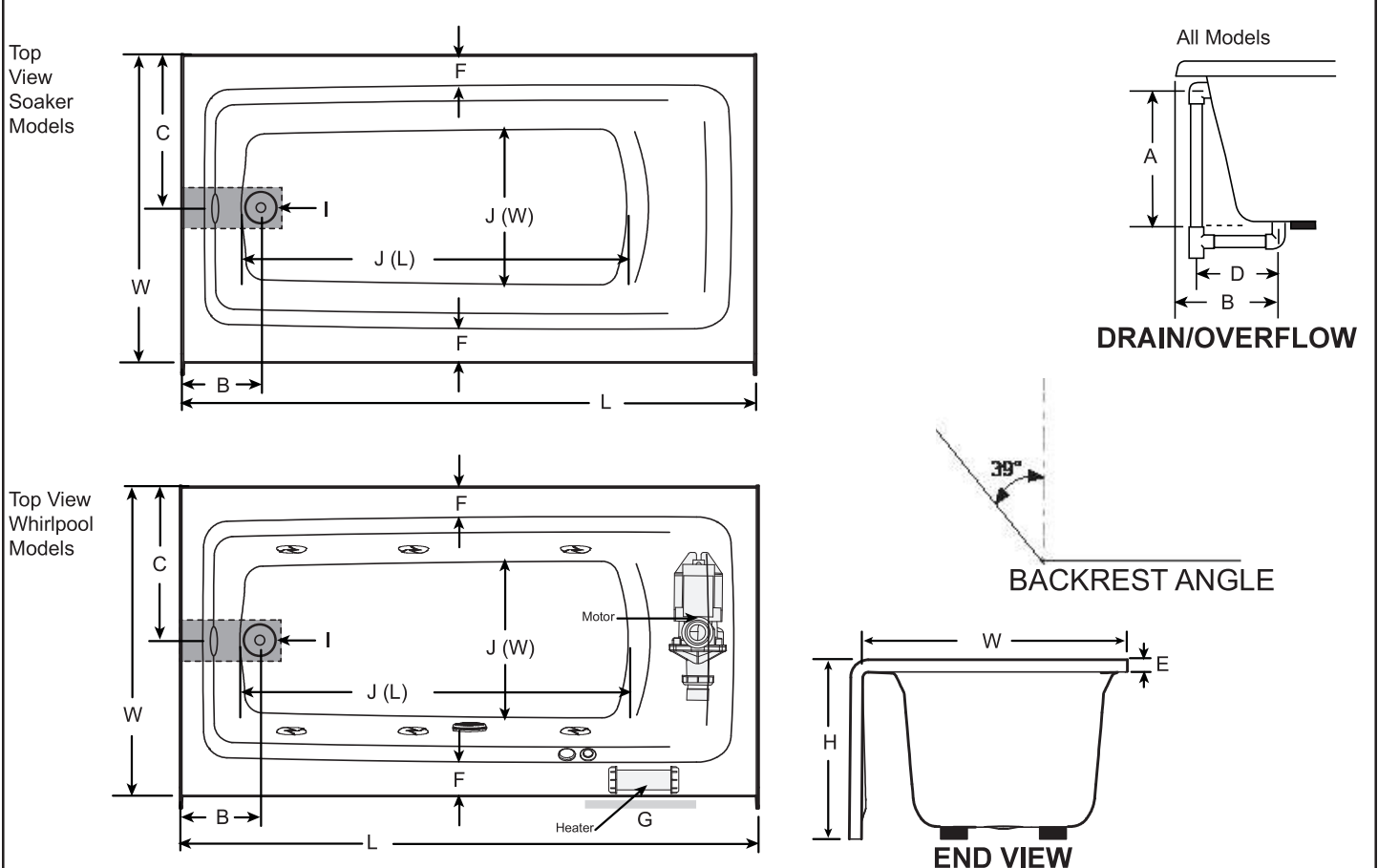


Signature® Collection Rectangle Skirted Soaker And Whirlpool Bathtubs

Letter	Description	SOAKER MODELS			WHIRLPOOL MODELS			WHIRLPOOL MODELS
		J1S6030B	J1S6032B	J1S6036B	J1S6030W	J1S6032W	J1S6036W	
-	Drain/Motor Location	LH / RH Drain			LH / RH Drain & Right or Left Side Motor			Each component requires a separate, dedicated GFCI protected circuit
-	Cutout	N/A			N/A			
-	Total Weight	748 lbs (339 kg)	749 lbs (339 kg)	829 lbs (376 kg)	763 lbs (346 kg)	764 lbs (346 kg)	843 lbs (382 kg)	Model with components
-	Floor Loading	60 lb/ft ² (292 kg/m ²)	56 lb/ft ² (274 kg/m ²)	55 lb/ft ² (270 kg/m ²)	61 lb/ft ² (298 kg/m ²)	57 lb/ft ² (280 kg/m ²)	56 lb/ft ² (274 kg/m ²)	
-	Operating Gallons (Max)	53 gallons (201 liters)		62 gallons (235 liters)	53 gallons (201 liters)		62 gallons (235 liters)	
-	Product Weight	55 lbs (25 kg)	56 lbs (25 kg)	61 lbs (28 kg)	70 lbs (32 kg)	71 lbs (32 kg)	75 lbs (34 kg)	Motor/Pump
-	Soaking Depth	14" (356 mm)			14" (356 mm)			
L	Outer Length	60" (1524 mm)			60" (1524 mm)			
W	Outer Width	30" (762 mm)	32" (813 mm)	36" (914 mm)	30" (762 mm)	32" (813 mm)	36" (914 mm)	
H	Overall Height	20" (508 mm)			20" (508 mm)			
A	Overflow Height	15.25" (387 mm)			15.25" (387 mm)			Heater (if available)
B	Long Edge to Drain Center	8.25" (210 mm)			8.25" (210 mm)			
C	Short Edge to Drain Center	14" (356 mm)	16" (406 mm)	18" (457 mm)	14" (356 mm)	16" (406 mm)	18" (457 mm)	
D	Drain Shoe Length	6.25" (159 mm)			6.25" (159 mm)			
E	Deck/Flange Height	1" (25 mm)			1" (25 mm)			
F	Deck Width	3.88" (99 mm)			3.88" (99 mm)			
G	Service Access Dimensions	N/A			Removable Skirt Access			
I	Floor Cutout for Drain	12" x 4" (305 mm x 102 mm)			12" x 4" (305 mm x 102 mm)			
J	Interior Dimensions (bottom of bath) J(L) x J(W)	43" x 19" (1092 mm x 483 mm)		43" x 23" (1092 mm x 584 mm)	43" x 19" (1092 mm x 483 mm)		43" x 23" (1092 mm x 584 mm)	

KEY DIMENSIONS* [NOTE: The overall dimensions are nominal with a tolerance of +0 and -.25" (6mm).]


NOTE: Drawings not to scale.