



Evelia™ Freestanding Bathtub

Letter	Description	Soaking	
		5932	6732
-	Drain Location	Center Drain	
-	Equipment Location	--	
-	Cutout Template	--	
-	Total Weight	784 lbs (356 kg)	889 lbs (403 kg)
-	Floor Loading	61 lb/ft ² (298 kg/m ²)	61 lb/ft ² (298 kg/m ²)
-	Operating Gallons (Max)	55 Gal (208 L)	66 Gal (250 L)
-	Product Weight - Empty	74 lbs (34 kg)	87 lbs (39 kg)
-	Soaking Depth	16.7" (423 mm)	16.7" (423 mm)
L	Outer Length	59.1" (1500 mm)	66.9" (1700 mm)
W	Outer Width	31.6" (803 mm)	31.6" (803 mm)
H	Overall Height	23.6" (600 mm)	23.6" (600 mm)
A	Overflow Height	16.9" (427 mm)	16.9" (427 mm)
B	Long Edge to Drain Center	15.8" (401 mm)	15.8" (401 mm)
C	Short Edge to Drain Center	29.5" (750 mm)	33.5" (850 mm)
D	Drain Shoe Length	--	
E	Flange Height	--	
F	Deck Width*	0.35" (9 mm)	
G	Service Access Dimensions	No Service Access	
I	Floor Cutout for Drain	4.0" x 4.0" (102 mm x 102 mm)	
J	Interior Dimensions (L x W) Bottom of Bath	35.5" x 20.5" (902 mm x 520 mm)	43.3" x 20.5" (1100 mm x 520 mm)
K	Interior Dimensions (L x W) Top of Bath	53.1" x 27.9" (1349 mm x 709 mm)	60.3" x 27.9" (1532 mm x 709 mm)
L2	Interior Depth - Drain End	19.3" (490 mm)	
M	Backrest Angle	24°	26°
N	Footprint (L x W)	45.1" x 21.5" (1145 mm x 545 mm)	51.2" x 21.5" (1300 mm x 545 mm)

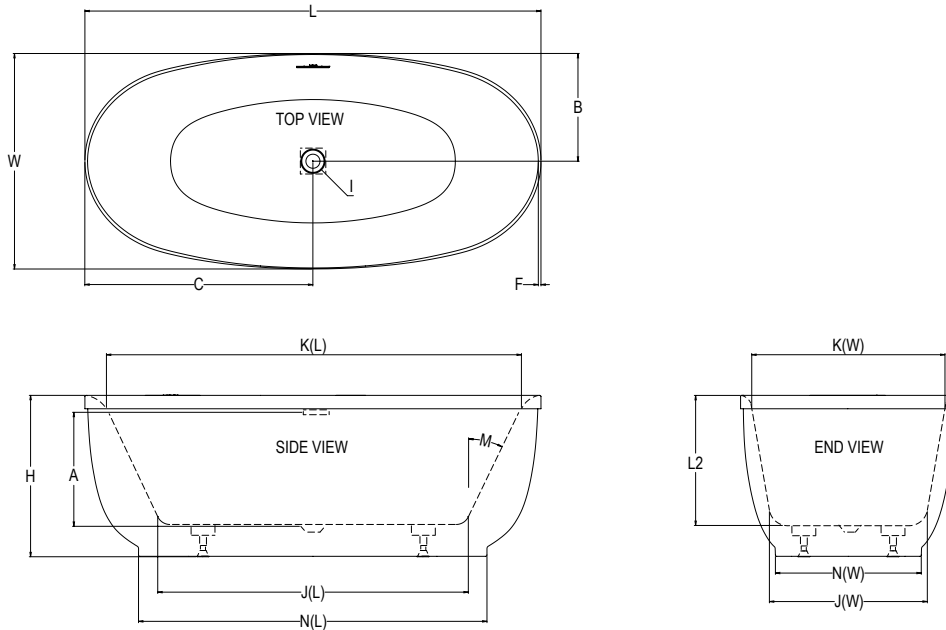
NOTE

The overall dimensions are nominal with a tolerance of +0 and -.25" (6 mm).

CAUTION: The integral overflow cover is not removable. The warranty will be voided if attempted.

KEY DIMENSIONS

*Deck width reflects only area indicated on detail.



©2019 Jacuzzi Luxury Bath • For additional information, call Customer Service 800-288-4002 • www.jacuzzi.com/baths
 Refer to installation instructions included with fixture before beginning installation. Please confirm product availability and specifications before commencing with any installation work.