



Jacuzzi® Item # RC95827 / RC95826 / RC95845
/ RC95817 / RC95818

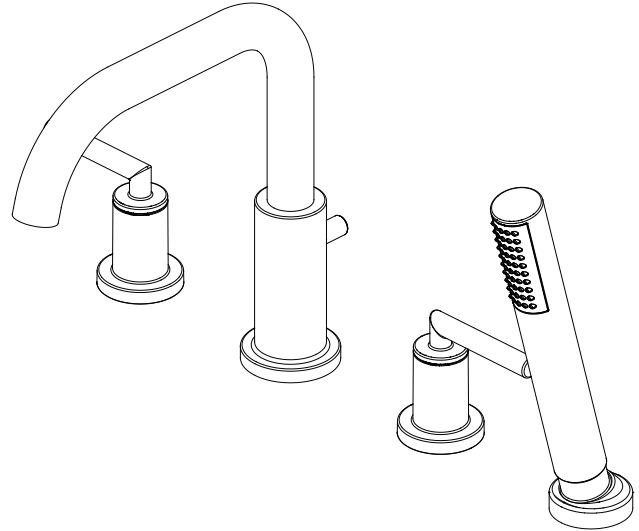
4-HOLE CONTENTO ROMAN TUB FAUCET

MODEL # 67416-X4501 / 67416-X4504 / 67416-X452708
/ 67416-X457001 / 67416-X458204

Questions, problems, missing parts? Before returning to your retailer, call our customer service department at 1-844-602-6070, 9 a.m. - 5 p.m., EST, Monday - Friday.

ATTACH YOUR RECEIPT HERE

Purchase Date _____



SAFETY INFORMATION

Please read and understand this entire manual before attempting to assemble, operate, or install the product.

WARNING :

- Follow the installation instructions carefully. Proper installation is the installer's responsibility.
- Failure to follow correct installation procedures can result in the faucet being loose, which can result in serious injury.

CAUTION :

- Check local building codes before beginning installation to ensure compliance.

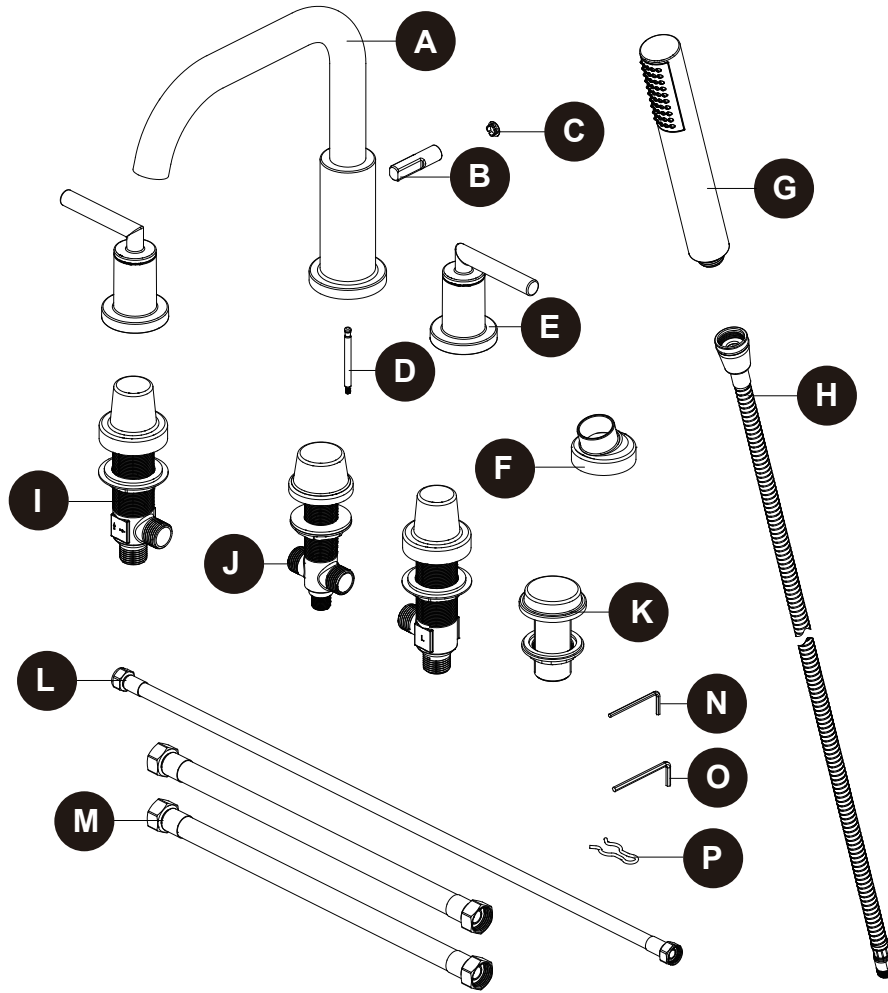
PREPARATION

Before beginning the assembly of this product, make sure all parts are present. Compare parts with the package contents and hardware contents list. If any part is missing or damaged, do not attempt to assemble the product.

Estimated Assembly Time: 120 minutes (including removal of old faucet)

Tools Required for Assembly (not included): Adjustable Wrench, Phillips Screwdriver, Thread Sealant Tape, Pliers, Saw, Goggles, Pipe Wrench

PACKAGE CONTENTS

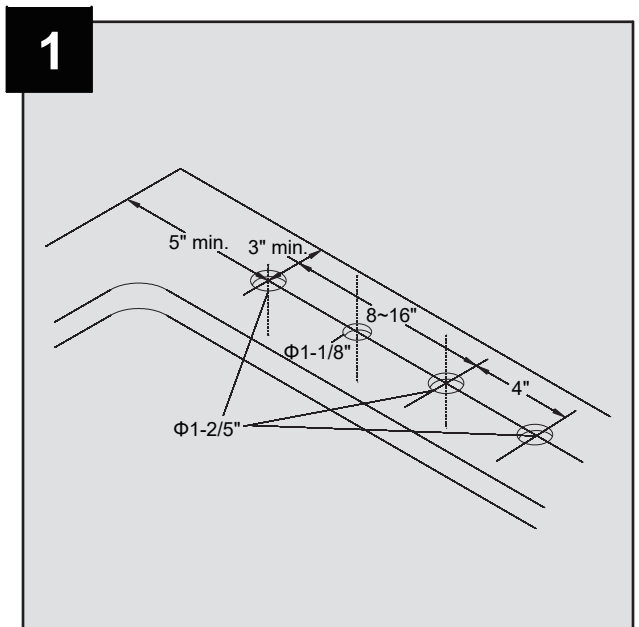


PART	DESCRIPTION	QUANTITY
A	Spout	1
B	Lift Rod Knob	1
C	Index	1
D	Lift Rod	1
E	Handle	2
F	Flange	1
G	Hand Shower	1
H	Spray Hose	1
I	Valve Body	2
J	Middle Body	1
K	Spray Support Assembly	1
L	Flexible Water Supply Hose	1
M	Flexible Water Supply Hose	2
N	2.5mm Hex Allen Wrench	1
O	3.2mm Hex Allen Wrench	1
P	Clip	1

ASSEMBLY INSTRUCTIONS

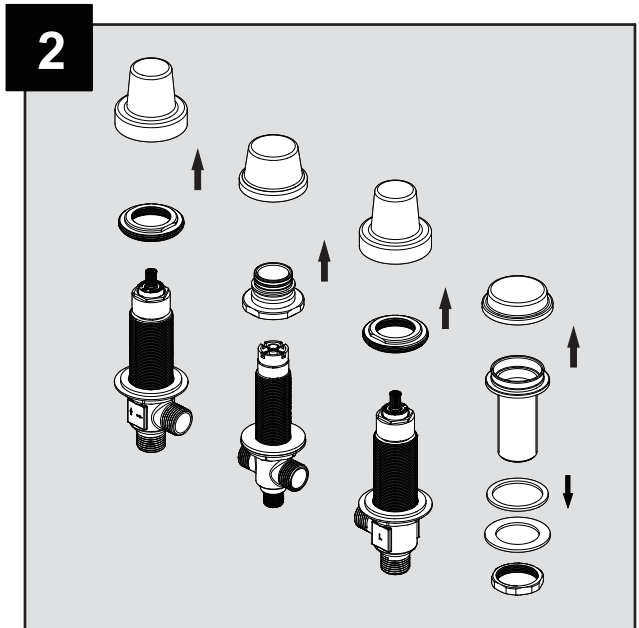
1. Shut off the water supply to the tub and shower. Drill holes in FINISHED DECK per diagram.

NOTE: This kit is intended for installation up to 2" thick.

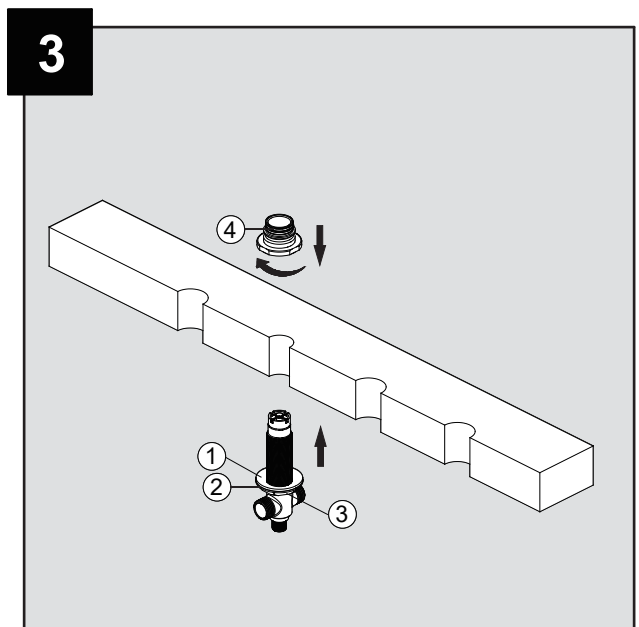


2. Remove plastic cap and flange from body. Remove rubber washer, metal washer and nut from hose spray support assembly.

NOTE: After installation of the valve, please keep the plastic cap on the valve to prevent any contamination from dust if the trim parts is not ready for prompt installation.



3. From underneath the deck, insert middle body with rubber washer (1), metal washer (2) and nut (3) through hole. From above, thread spout flange (4) onto middle body.

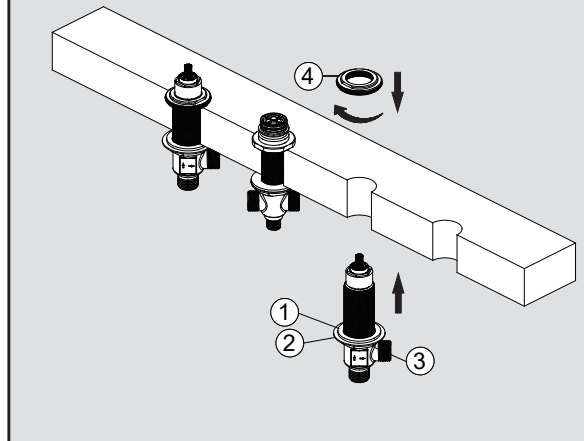


ASSEMBLY INSTRUCTIONS

4. From underneath the deck, insert valve body with rubber washer (1), metal washer (2) and mounting nut (3) through holes on the right (cold) side. From above, thread flange (4) onto valve stem. Tighten mounting nut (3), so that the flange (4) sits flush to the surface of working area. Then insert the other valve body through holes on the left (hot) side and install in the same way.

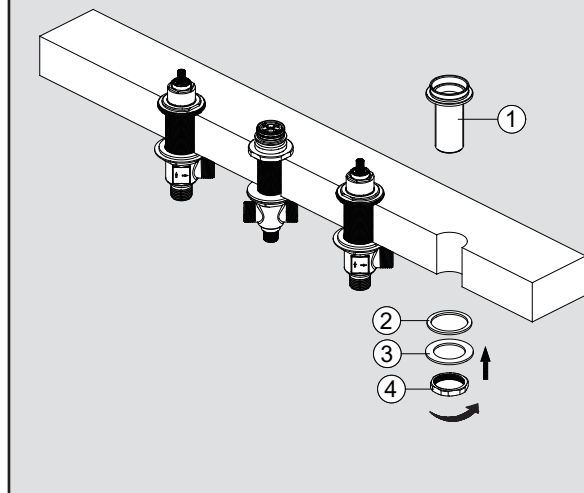
NOTE: HOT side end valve is labeled.

4



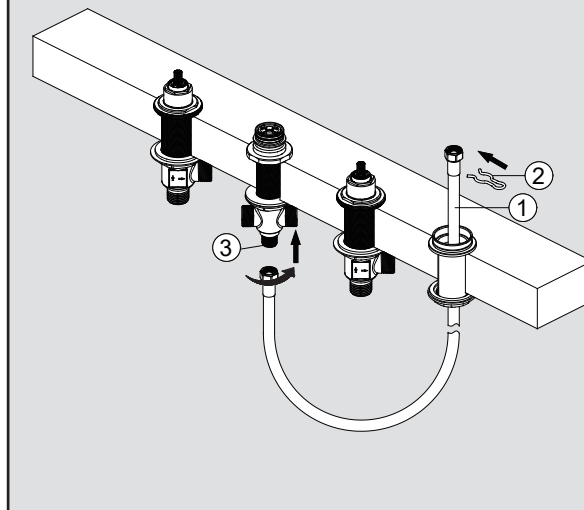
5. Insert spray support assembly (1) into deck hole. From underneath deck, secure hose guide with rubber washer (2), metal washer (3) and nut (4). Tighten nut (4) securely with wrench.

5



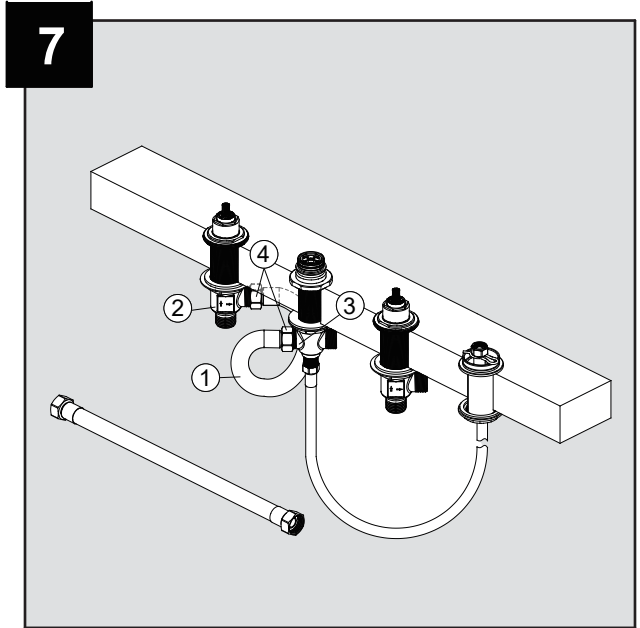
6. Insert the flexible water supply hose (1) onto hose guide. Restrain flexible water supply hose (1) with clip (2). From underneath the deck, carefully thread the other side of hose couplings to the side of the middle body (3).

6

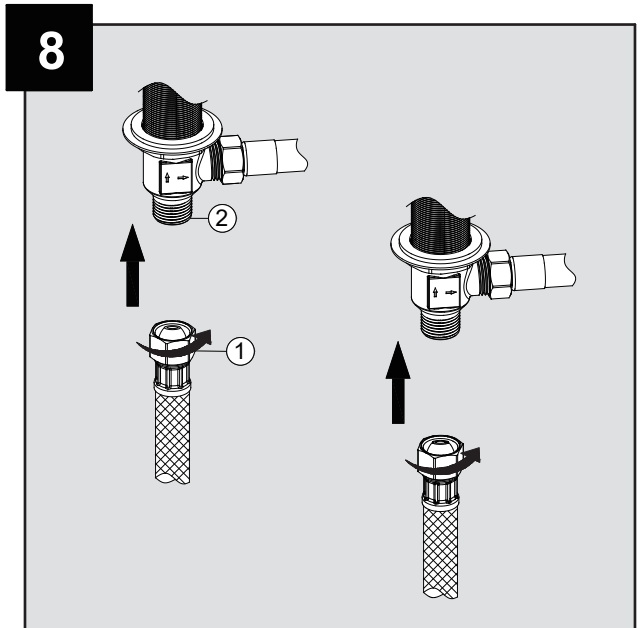


ASSEMBLY INSTRUCTIONS

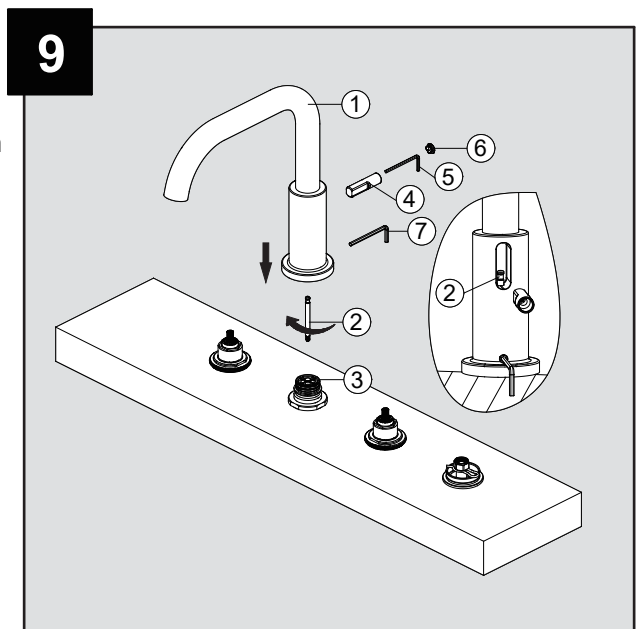
7. Connect the flexible water supply hose (1) to the bottom of valve bodies (2) as show. Align middle body (3) in a position which will allow maximum clearance to connect hoses. Carefully bend the hoses to fit available space. Carefully thread the hose couplings to the sides of the middle body (3). Tighten nut (4) securely with wrench.



8. Connect water supply lines (1, not included) to faucet inlets (2) underneath the sink using wrenches.



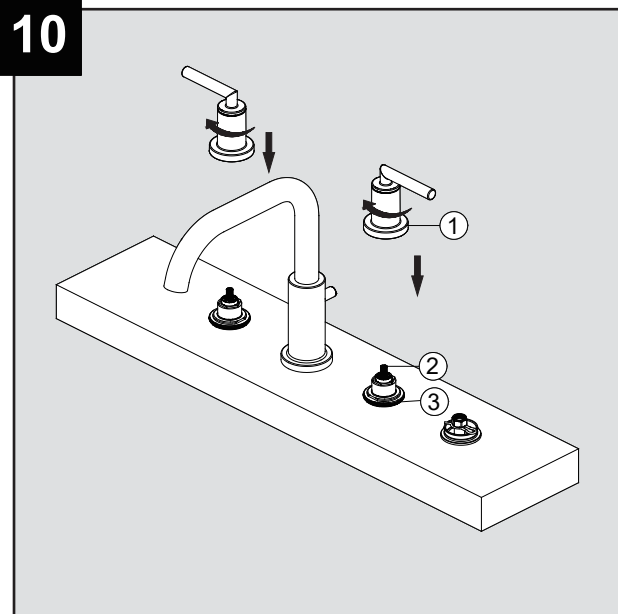
9. Install the lift rod (2) into the joint (3) by handtighten. Place spout (1) onto joint (3), lock set screw (already preinstalled in the spout) with the hex wrench (7, 3.2 mm hex wrench) from the back of spout (1). Insert the lift rod knob (4) into the slot and fasten lift rod (2), lock set screw (already preinstalled in the lift rod knob) with the hex wrench (5, 2.5 mm hex wrench), lock index (6) from the lift rod knob (4).



ASSEMBLY INSTRUCTIONS

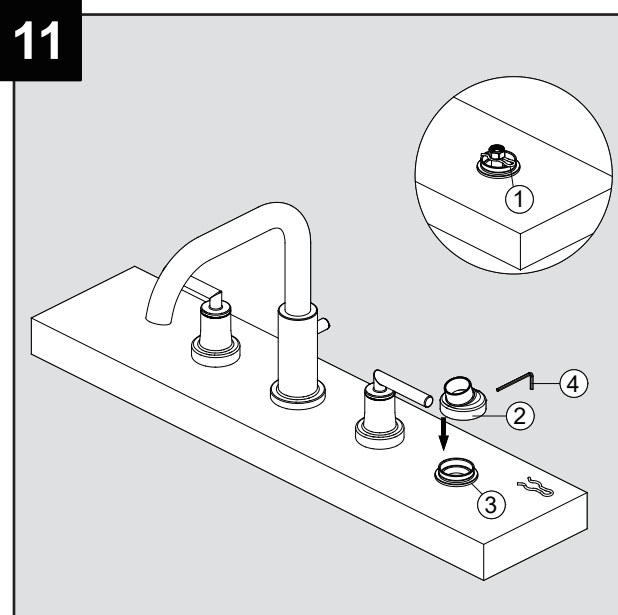
10. Place the handle assembly (1) onto the right (cold) valve (2). Then thread the handle seat onto the mounting saet (3). Hand tighten. Place the other handle assembly onto the left (hot) valve and install the same way.

10



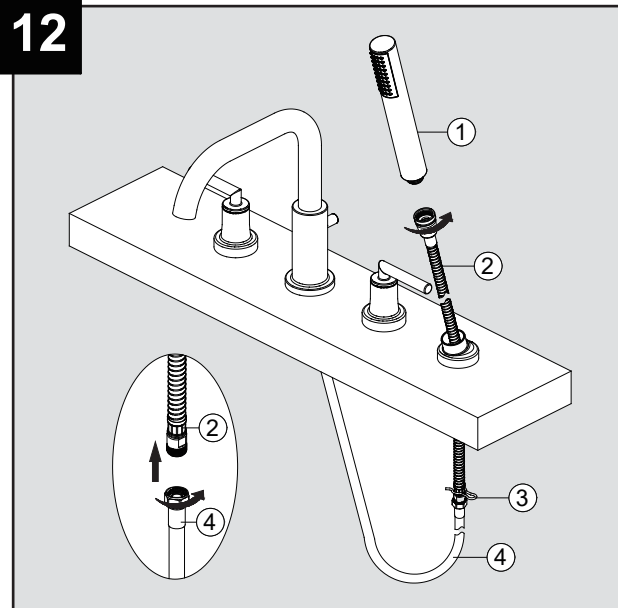
11. Remove the snap (1). Place flange (2) onto spray support assembly (3), lock set screw (already preinstalled in the flange) with the hex wrench (4, 2.5mm hex wrench) from the flange (1).

11



12. Connect the spray hose (2) to flexible water supply hose (4). Fix the snap (3) to the end of the hose (2) in the picture. Lock the hand shower (1) to the other end of the spray hose (2).
NOTE: Before installation, remove the plastic bag of the hose joint, to ensure no fall out of the washer in the installation.

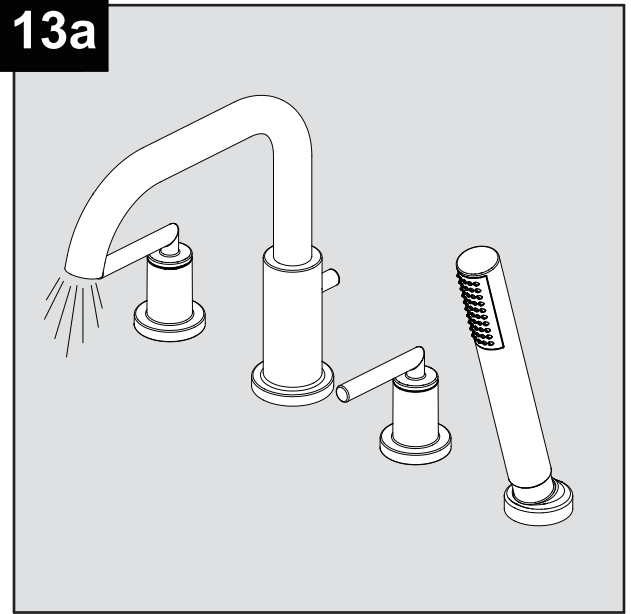
12



ASSEMBLY INSTRUCTIONS

13a. After installation is complete, turn on the water supply and allow both hot and cold water to run for at least one minute each. This flushes away any debris that could cause damage to internal parts. While water is running, check for leaks. If you discover any leaks, check your connections to ensure they are installed properly.

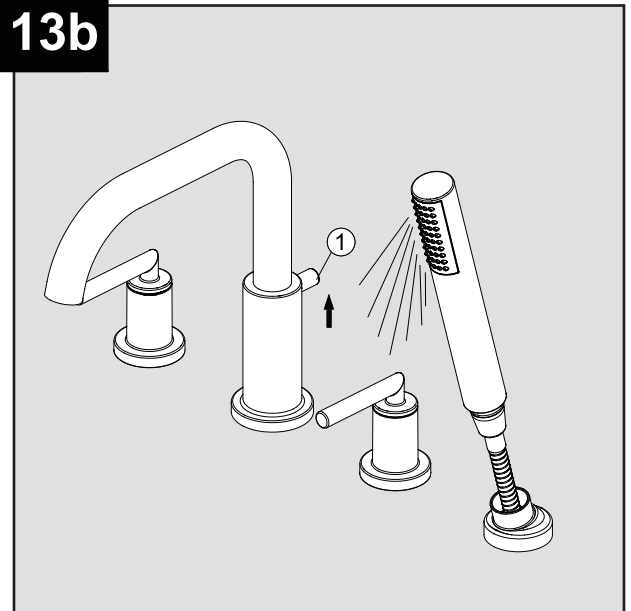
13a



13b. Lift the lift rod knob (1), hand shower is on, check for leaks. If you discover any leaks, check your connections to ensure they are installed properly.

NOTE: If you want to switch back the spout water, close the handle.

13b



CARE AND MAINTENANCE

- Clean periodically with a soft cloth. Avoid abrasive cleaners, steel wool, and harsh chemicals as these will dull the finish and void your warranty.

TROUBLESHOOTING

PROBLEM	POSSIBLE CAUSE	CORRECTIVE ACTION
There is a leak from under the handle when the faucet is off.	1. The bonnet nut is not tight enough. 2. The cartridge is damaged.	1. Remove the handle and retighten the bonnet nut. 2. If the problem occurs after retightening the bonnet nut, call customer service for a new cartridge and replace it after you receive the new cartridge.
There is a leak from the spout base when the faucet is on.	The o-ring which is on the connector under the spout is worn.	Call customer service for a new o-ring and replace it after you receive the new o-ring.

Limited Lifetime Warranty on Jacuzzi® Branded Faucets

WARRANTY COVERAGE

Jacuzzi Luxury Bath (“Company”) offers a limited lifetime non-transferrable warranty to the original purchaser (“user”) of a Jacuzzi® branded premium faucet (“Faucet”), for personal or single family residential use, subject to the following terms, conditions and limitations. The Company will repair or replace, at its sole option, the Faucet or its component parts in accordance with the terms, conditions and limitations set forth in this limited warranty. Units in commercial use are excluded from any warranty coverage whatsoever. PLEASE READ THIS ENTIRE LIMITED WARRANTY, AS EXCLUSIONS AND CONDITIONS APPLY. The ceramic cartridge is warranted against defects in material and workmanship for the lifetime of the product. If at any time the cartridge fails, Company will provide a replacement cartridge or part, free of charge. All other portions of the Faucet are warranted against defects in material and workmanship for one year from date of purchase. This warranty does not apply to any display models or to any options or accessories not specifically mentioned herein. Warranty coverage begins on the date the unit was originally purchased by the user. The warranties provided by Company do not cover labor, and are parts only warranties.

Limited Lifetime Warranty on Jacuzzi® Branded Faucets

The components referenced above and coverage of this warranty are for defects in material or workmanship, and not damage caused by installation, neglect, misuse, abuse, hard water conditions, optional equipment, the unit's prior usage as an operational display, defects that should have been discovered before installation, or failure to follow the instructions and warnings set forth in the owner's manual, including but not limited to cleaning of the Faucet and its component parts, such as using chemicals, abrasives, acids, solvents, etc. Inspecting the unit prior to installation is the responsibility of the user, as well as the installer or building contractor who acts on behalf of the user. In the event of a problem, the unit must not be installed. The Company is not responsible for failures or damage that could have been discovered, repaired, or avoided by proper inspection and testing prior to installation. Damage occurring in transit is the responsibility of the carrier. Damage occurring to the unit during installation is the responsibility of the installer, building contractor and/or user, and damage occurring thereafter is the responsibility of the user. Any replacement parts shall be covered only by the original equipment manufacturer warranty, if any. The distributor, dealer and user are responsible for knowing local code requirements and notifying the installing contractor of these requirements at the time of purchase. The Company is not responsible for costs to modify any product to obtain any code approval, such as city, county, or state building codes in U.S.A. or federal, municipal, provincial or other codes in Canada and Mexico. To make a claim, user must first contact Company and thereafter return any part claimed to be defective within the warranty period to Company, freight prepaid. Proof of purchase (original sales receipt) from the original purchaser must accompany all warranty claims. Defects or damage caused by the use of other than genuine Company parts is not covered by this warranty.

IMPLIED WARRANTIES OF MERCHANTABILITY AND FITNESS FOR A PARTICULAR PURPOSE ARE DISCLAIMED TOGETHER OR TO THE FULLEST EXTENT ALLOWED BY LAW. This Limited Warranty takes the place of all other warranties, express or implied, in fact or at law, including implied warranties of merchantability and fitness for a particular purpose. Company reserves the right to use replacement parts that may be different from the part(s) that accompanied the original Faucet, including but not limited to different in appearance, configuration, performance and/or structure. No agent, dealer, distributor, service company or other party is authorized to change, modify or extend the terms of this limited warranty in any manner whatsoever. In addition, THE COMPANY WILL NOT BE RESPONSIBLE FOR INCIDENTAL OR CONSEQUENTIAL DAMAGES or losses arising from any cause (e.g., water damage to carpet, ceiling, tiles, marble, loss of use, etc.) including but not limited to its own negligence. This exclusion applies even if Company was advised in advance of the possibility of such damages. This limited warranty does not include labor, transportation, or other costs incurred in the removal and/or reinstallation of the original unit and/or installation of a replacement unit; any costs relating to obtaining access for repair; or loss of use damage, including loss of sales, profit or business advantage of any kind under any circumstances. Faucet units are excluded from any warranty coverage if any addition, deletion, or modification of any kind whatsoever has been made to the unit (or to any component). Warranty coverage is provided in the United States of America, Canada and Mexico only. The liability of Company under this limited warranty, if any, shall not exceed the original amount paid for the Faucet or product claimed to be defective. Dated proof of purchase of Faucet is required for a warranty claim. These disclaimers shall be equally applicable to any service provided by Company and its designated representatives.

The Company will provide the warranty service described above when the following conditions have been met: the failure is of the nature or type covered by the warranty; the user has informed an Authorized Jacuzzi Luxury Bath Service Agent or Warranty Service Department Representative of the nature of the problem during the warranty period; conclusive evidence (e.g., dated proof of purchase) is provided to the foregoing by the user proving that the failure occurred or was discovered within the warranty period; and, an authorized independent service person or Company representative has been permitted to inspect the unit during regular business hours within a reasonable time after the problem was reported by the user. In order to obtain warranty service, contact Jacuzzi Luxury Bath at: www.jacuzzi.com or Warranty Service Department, 14525 Monte Vista Avenue, Chino, California 91710, (800) 288-4002.

All replacement parts, equipment, and repairs shall assume the remaining warranty period of the part(s) replaced. The Company's warranty obligation shall be discharged upon tender of replacement or repair. The customer's refusal to accept the tender terminates the Company's warranty obligation.

LEGAL RIGHTS: This Limited Warranty gives you specific legal rights. There are no warranties applicable to Jacuzzi® products except as expressly stated herein or as implied by applicable state and federal laws. You may also have other rights that vary from state to state. Some states do not allow limitations on how long an implied warranty lasts, disclaimer of certain warranties, or the exclusion or limitation of incidental damages, so some of the above limitations may not apply to you. Company will not be responsible for any statements or representations made in any form that go beyond, are broader than or are inconsistent with any authorized literature or specifications furnished by the Company.

REPLACEMENT PARTS LIST

For replacement parts, call our customer service department at 1-844-602-6070, 9 a.m. - 8 p.m., EST, Monday - Friday.

Item No.	JLB Part Number	Description
8	RQ60000	Handheld Hose
9	RQ86000	Hot Cartridge
10	RQ61000	Diverter Cartridge
11	RQ87000	Cold Cartridge

Note: Items included on diagram but not included in table are not offered as repair parts.

