



Jacuzzi® Item # MX 22826 / MX 22827 /MX 22817 / MX22845

TWO HANDLE ROMAN TUB FAUCET

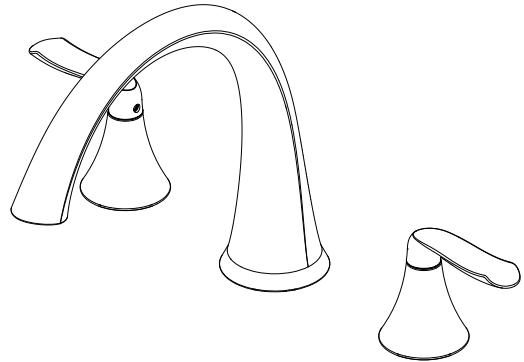
MODEL # 67416-3D04Y / 67416-3D01Y / 67416-7001Y / 67416-2708Y

Questions, problems, missing parts? Before returning to your retailer, call our customer service department at 1-800-288-4002, 6 a.m. - 5 p.m.,PT and 9 a.m. - 8 p.m.,ET, Monday - Friday.

ATTACH YOUR RECEIPT HERE

Serial Number _____

Purchase Date _____



SAFETY INFORMATION

Please read and understand this entire manual before attempting to assemble, operate, or install the product.

WARNING:

- Follow the installation instructions carefully. Proper installation is the installer's responsibility.
- Failure to follow correct installation procedures can result in the faucet being loose, which can result in serious injury.

CAUTION:

- Check local building codes before beginning installation to ensure compliance.

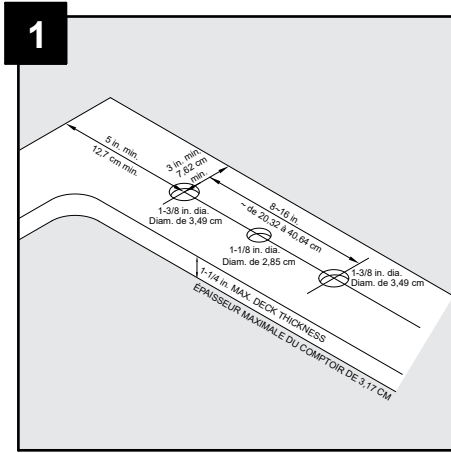
PREPARATION

Before beginning the assembly of this product, make sure all parts are present. Compare parts with the package contents and hardware contents list. If any part is missing or damaged, do not attempt to assemble the product.

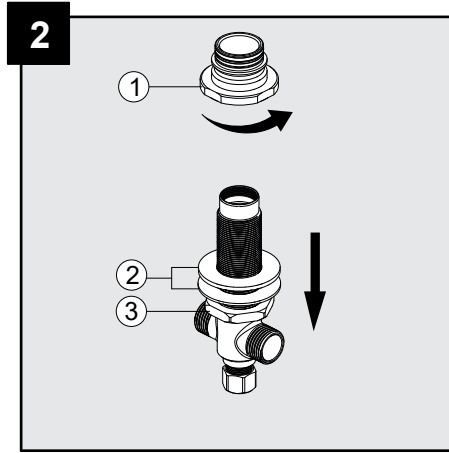
Estimated Assembly Time: 90 minutes (including removal of old faucet)

Tools Required for Assembly (not included): Adjustable Wrench, (2) Supply lines

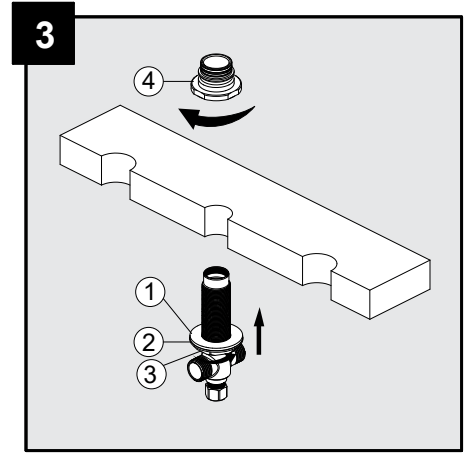
ASSEMBLY INSTRUCTIONS



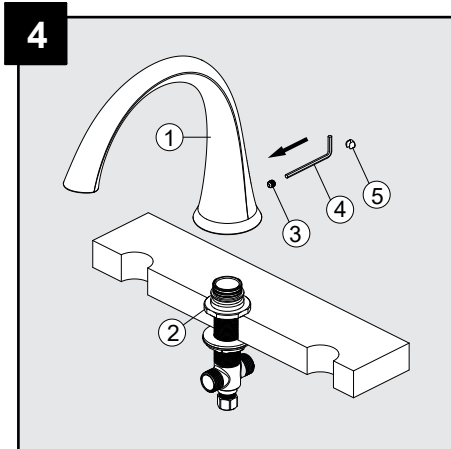
Drill holes in FINISHED DECK per diagram.
NOTE: This kit is intended for installation up to 1-1/4 in. thick.



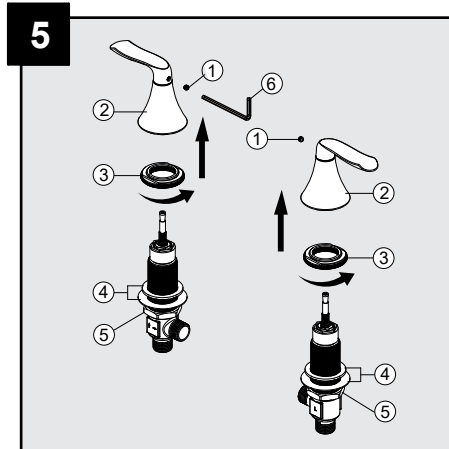
Remove connector (1) from the middle body. Adjust the washers (2) and mounting nut (3) to the bottom of middle body.



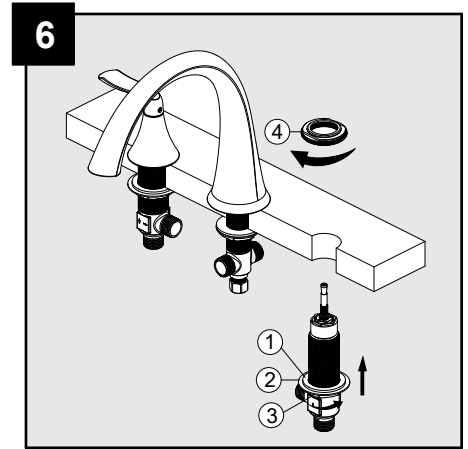
From underneath the deck, insert the middle body with the rubber washer (1), metal washer (2) and mounting nut (3) through hole. From above, thread the connector (4) onto middle body. Tighten the mounting nut (3), so that the connector (4) sits flush to the surface of working area. Note: The middle body must turn to the direction as shown in the diagram.



Place the spout assembly (1) onto the connector (2). Be sure the spout assembly (1) is resting firmly on the deck. Push down on spout assembly (1) and tighten set screw (3) with Allen wrench (Hex: 3.2mm, 4). Insert the cap (5).

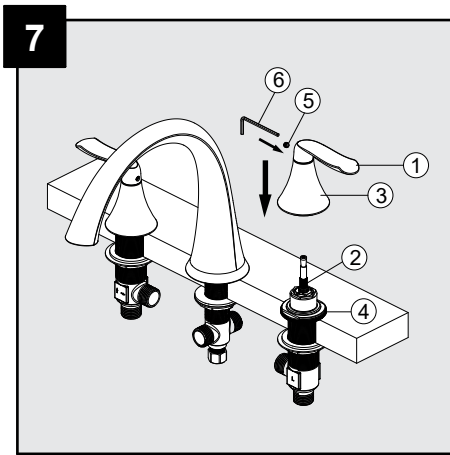


Unscrew the set screws (1) from the handle assemblies (2) with Allen wrench (Hex: 2.5mm, 6) and remove the handle assemblies (2) from the valve bodies. Loosen the flanges (3) from the valve bodies. Adjust the washers (4) and mounting nuts (5) to the bottom of valve bodies.

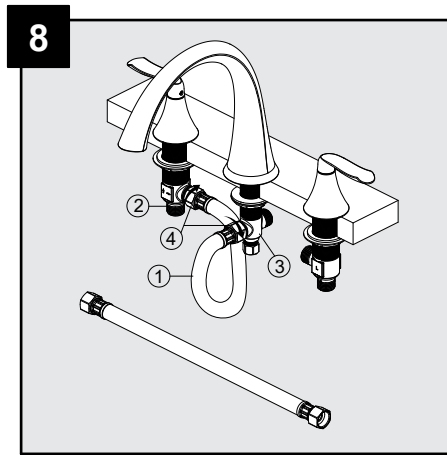


From underneath the deck, insert the valve body with the rubber washer (1), metal washer (2) and mounting nut (3) through hole on the right (cold) side. From above, thread the flange (4) onto valve body. Tighten the mounting nut (3), so that the flange (4) sits flush to the surface of working area. Then insert the other valve body through holes on the left (hot) side and install in the same way. Note: Hot side end valve is labeled.

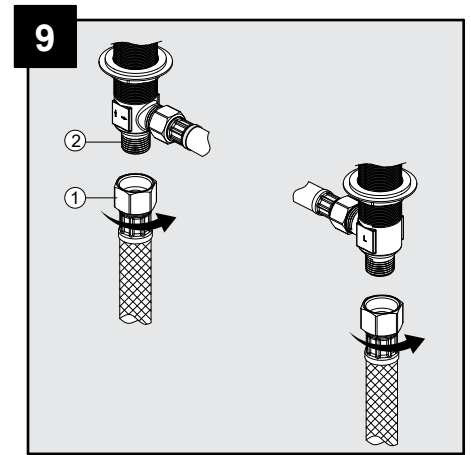
ASSEMBLY INSTRUCTIONS



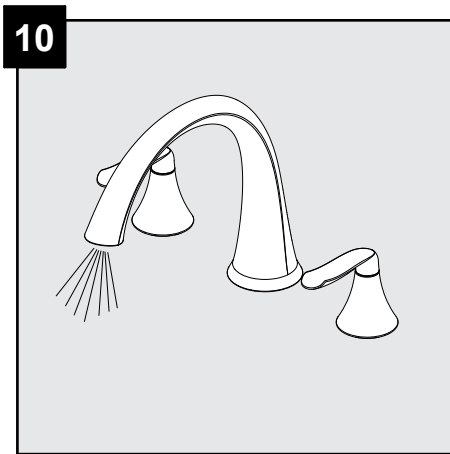
Place the handle assembly (1) onto the right (cold) valve (2). Then thread the handle seat (3) onto the flange (4). Place the set screw (5) into handle assembly (1) and tighten set screw (5) with Allen wrench (Hex: 2.5mm, 6). Place the other handle assembly onto the left (hot) valve and install the same way.



Connect the flexible water supply hose (1) to the bottom of valve bodies (2) as show. Align middle body (3) in a position which will allow maximum clearance to connect hoses. Carefully bend the hoses to fit available space. Carefully thread the hose couplings to the sides of the middle body (3). Tighten nut (4) securely with wrench.



Connect a 1/2 in. IPS faucet connector (not included) to the water supplies underneath the sink using wrenches (not included).
NOTE: Refer to the local plumbing codes for permissible types of water supply connectors.



Turn on hot and cold water supplies and flush water lines for one minute. After flushing, turn the handles all the way off to shut off the water.

ASSEMBLY INSTRUCTIONS

CARE AND MAINTENANCE

- Clean periodically with a soft cloth. Avoid abrasive cleaners, steel wool, and harsh chemicals as these will dull the finish and void your warranty.

TROUBLESHOOTING

PROBLEM	POSSIBLE CAUSE	CORRECTIVE ACTION
There is a leak from under the handle or there is a leak from the spout when the faucet is off.	1. The bonnet nut is not tight enough. 2. The cartridge is damaged.	1. Remove the handle and retighten the bonnet nut. 2. If the problem occurs after retightening the bonnet nut, call customer service for a new cartridge and replace it after you receive the new cartridge.
There is a leak from the spout base when the faucet is on.	The o-ring which is on the connector under the spout is worn.	Call customer service for a new o-ring and replace it after you receive the new o-ring.

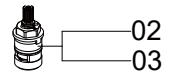
WARRANTY

The manufacturer warrants this faucet to be free from defects in workmanship and material present at time of shipment from the factory for a limited lifetime from the date of purchase. This warranty applies only to the original purchaser. The manufacturer agrees to correct such defects at no charge or, at our option, replace the faucet with a comparable or superior model. To obtain warranty service, call our customer service department at 1-800-288-4002 for return authorization and shipping instructions. You may be required to present a copy of your sales receipt as proof of purchase. All cost of removal and reinstallation are the expressed responsibility of the purchaser. Any damage to the faucet by accident, misuse or improper installation, or by affixing accessories not produced by the manufacturer, are the purchaser's responsibility. The manufacturer assumes no responsibility whatsoever for faucet installation during the warranty period. There is no further expressed warranty. The manufacturer disclaims any and all implied warranties. The manufacturer shall not be liable for incidental, consequential or special damages arising at or in connection with product use or performance except as may otherwise be accorded by law. This warranty gives you specific legal rights, and you may also have other rights which vary from state to state. This warranty supersedes all prior warranties.

REPLACEMENT PARTS LIST

For replacement parts, call our customer service department at
1-800-288-4002, 6 a.m. - 5 p.m., PT and 9 a.m. - 8 p.m., ET, Monday - Friday

PART	DESCRIPTION	PART#
1	Handle assembly	RQ84817/RQ84826/RQ84827/RQ84845
2	Cartridge H	RQ86000
3	Cartridge C	RQ87000



Printed in China