



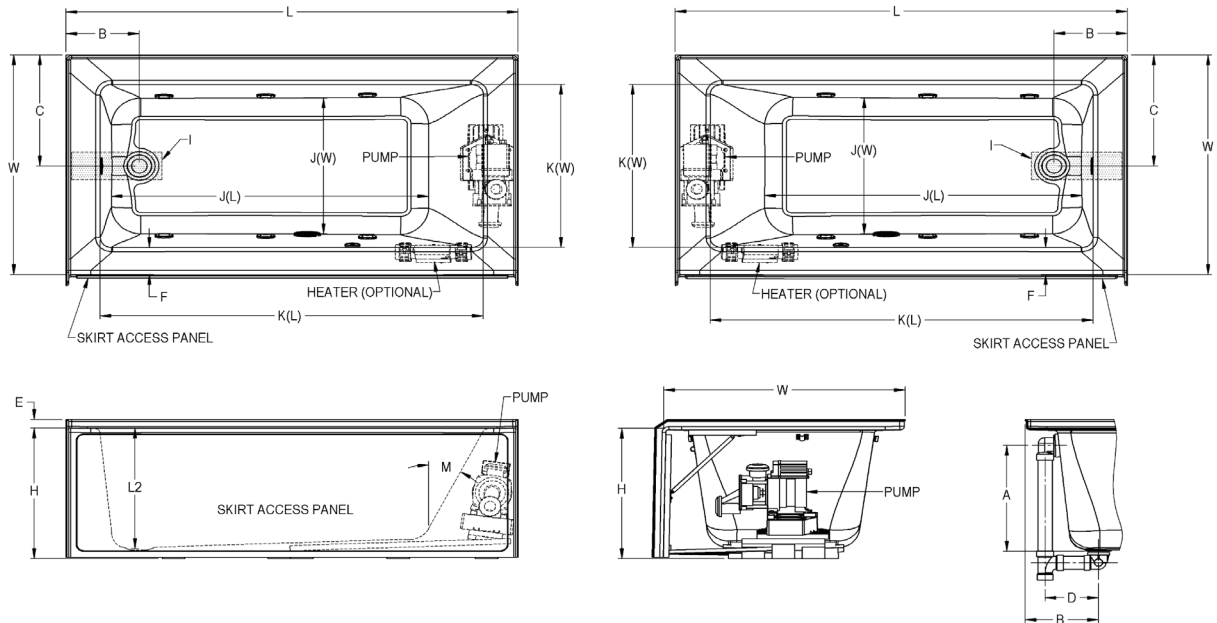
Universal Signature® Skirted Whirlpool Bathtub

Letter	Description	Whirlpool			
		6030	6032	6036	6632
-	Drain Location	Left Hand / Right Hand			
-	Equipment Location	Opposite end of drain location			
-	Cutout Template	--			
-	Total Weight	760 lbs (345 kg)	761 lbs (345 kg)	858 lbs (389 kg)	823 lbs (373 kg)
-	Floor Loading	61 lb/ft ² (293 kg/m ²)	61 lb/ft ² (293 kg/m ²)	61 lb/ft ² (278 kg/m ²)	56 lb/ft ² (278 kg/m ²)
-	Operating Gallons (Min/Max)	32/53 Gal (121/201 L)		44/64 Gal (167/242 L)	38/60 Gal (143/227 L)
-	Product Weight	70lbs (32 kg)	71 lbs (32 kg)	73 lbs (33 kg)	73 lbs (33 kg)
-	Soaking Depth	13.8" (351 mm)			
L	Outer Length	60" (1524 mm)			66" (1676 mm)
W	Outer Width	30" (762 mm)	32" (813 mm)	36" (914 mm)	32" (813 mm)
H	Overall Height	19" (483 mm)			
A	Overflow Height	15.4" (391 mm)			
B	Long Edge to Drain Center	9.7" (246 mm)			
C	Short Edge to Drain Center	14.2" (361 mm)	16.2" (411 mm)	18.2" (462 mm)	16.2" (411 mm)
D	Drain Shoe Length	7" (178 mm)			
E	Flange Height	1.25" (32 mm)			
F	Deck Width*	4" (102 mm)			
G	Service Access Dimensions	Removable Skirt Access			
I	Floor Cutout for Drain	12" x 4" (305 mm x 102 mm)			
J	Interior Dimensions Bottom of bath J(L) x J(W)	42" x 19.8" (1067 mm x 503 mm)		42" x 23.8" (1067 mm x 604 mm)	46" x 19.8" (1167 mm x 503 mm)
K	Interior Dimensions Top of Bath K(L) x K(W)	50.8" x 23.8" (1290 mm x 605 mm)		50.8" x 27.8" (1290 mm x 706 mm)	56.8" x 23.8" (1443 mm x 605 mm)
L2	Interior Depth - Drain End	17.6" (447 mm)			
M	Backrest Angle	27°			
N	Footprint (L x W)	--			

NOTE	
The overall dimensions are nominal with a tolerance of +0 and -25" (6 mm).	
Electrical Specification (requires a separate, dedicated GFCI protected circuit):	
Model with Components	GFCI (60Hz)
Motor/Pump	120V 15A
Heater (if available)	120V 15A

KEY DIMENSIONS

*Deck width reflects only area indicated on detail. Drawings not to scale.



©2021 Jacuzzi Luxury Bath • For additional information, call Customer Service 800-288-4002 • www.jacuzzi.com/baths
 Refer to installation instructions included with fixture before beginning installation. Please confirm product availability and specifications before commencing with any installation work.

PRODUCT SPECIFICATIONS AND AVAILABILITY ARE SUBJECT TO CHANGE WITHOUT NOTICE