

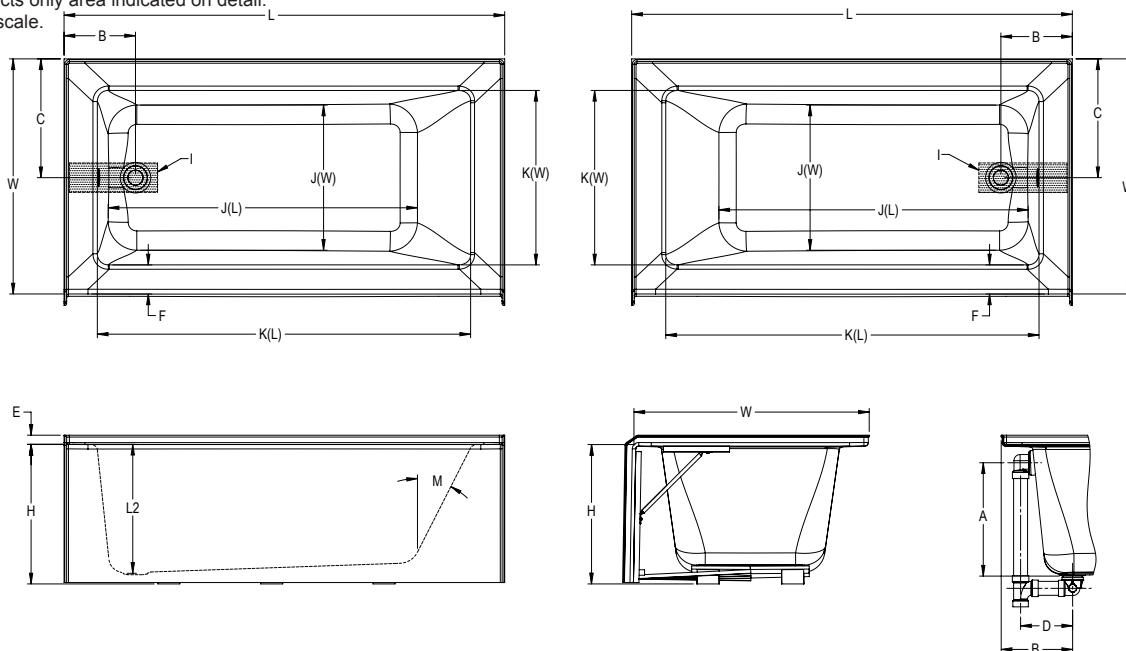
**Universal Signature® Skirted Soaking Bathtub**

| Letter | Description                                       | Soaking  |  |  |  |
|--------|---|--|--|--|--|
|        |   | 6030   | 6032   | 6036   | 6632   |
| -      | Drain Location                                    | Left Hand / Right Hand                         |  |  |  |
| -      | Equipment Location                                | --   |  |  |  |
| -      | Cutout Template                                   | --   |  |  |  |
| -      | Total Weight                                      | 745 lbs (338 kg)                               | 746 lbs (338 kg)                               | 843 lbs (382 kg)                               | 808 lbs (367 kg)                               |
| -      | Floor Loading                                     | 60 lb/ft <sup>2</sup> (293 kg/m <sup>2</sup> ) | 60 lb/ft <sup>2</sup> (293 kg/m <sup>2</sup> ) | 56 lb/ft <sup>2</sup> (273 kg/m <sup>2</sup> ) | 55 lb/ft <sup>2</sup> (269 kg/m <sup>2</sup> ) |
| -      | Operating Gallons (Min/Max)                       | 53 Gal (201 L)                                 |  | 64 Gal (242 L)                                 | 60 Gal (227 L)                                 |
| -      | Product Weight                                    | 55 lbs (25 kg)                                 | 56 lbs (25 kg)                                 | 58 lbs (26 kg)                                 | 58 lbs (26 kg)                                 |
| -      | Soaking Depth                                     | 13.8" (351 mm)                                 |  |  |  |
| L      | Outer Length                                      | 60" (1524 mm)                                  |  |  | 66" (1676 mm)                                  |
| W      | Outer Width                                       | 30" (762 mm)                                   | 32" (813 mm)                                   | 36" (914 mm)                                   | 32" (813 mm)                                   |
| H      | Overall Height                                    | 19" (483 mm)                                   |  |  |  |
| A      | Overflow Height                                   | 15.4" (391 mm)                                 |  |  |  |
| B      | Long Edge to Drain Center                         | 9.7" (246 mm)                                  |  |  |  |
| C      | Short Edge to Drain Center                        | 14.2" (361 mm)                                 | 16.2" (411 mm)                                 | 18.2" (462 mm)                                 | 16.2" (411 mm)                                 |
| D      | Drain Shoe Length                                 | 7" (178 mm)                                    |  |  |  |
| E      | Flange Height                                     | 1.25" (32 mm)                                  |  |  |  |
| F      | Deck Width*                                       | 4" (102 mm)                                    |  |  |  |
| G      | Service Access Dimensions                         | No Service Access                              |  |  |  |
| I      | Floor Cutout for Drain                            | 12" x 4" (305 mm x 102 mm)                     |  |  |  |
| J      | Interior Dimensions<br>Bottom of bath J(L) x J(W) | 42" x 19.8" (1067 mm x 503 mm)                 |  | 42" x 23.8" (1067 mm x 604 mm)                 | 46" x 19.8" (1167 mm x 503 mm)                 |
| K      | Interior Dimensions<br>Top of Bath K(L) x K(W)    | 50.8" x 23.8" (1290 mm x 605 mm)               |  | 50.8" x 27.8" (1290 mm x 706 mm)               | 56.8" x 23.8" (1443 mm x 605 mm)               |
| L2     | Interior Depth - Drain End                        | 17.6" (447 mm)                                 |  |  |  |
| M      | Backrest Angle                                    | 27°  |  |  |  |
| N      | Footprint (L x W)                                 | --   |  |  |  |

**NOTE**

The overall dimensions are nominal with a tolerance of +0 and -.25" (6 mm).

**KEY DIMENSIONS**

 \*Deck width reflects only area indicated on detail.  
 Drawings not to scale.


©2021 Jacuzzi Luxury Bath • For additional information, call Customer Service 800-288-4002 • [www.jacuzzi.com/baths](http://www.jacuzzi.com/baths)  
 Refer to installation instructions included with fixture before beginning installation. Please confirm product availability and specifications before commencing with any installation work.

PRODUCT SPECIFICATIONS AND AVAILABILITY ARE SUBJECT TO CHANGE WITHOUT NOTICE