

Serafina™ Freestanding Bathtub

| Letter | Description | Soaking | |
|--------|---|--|--|
| | | 5931 | 6731 |
| - | Drain Location | Center | |
| - | Pump Location | -- | |
| - | Cutout Template | -- | |
| - | Total Weight | 882 lbs (400 kg) | 999 lbs (453 kg) |
| - | Floor Loading | 68 lb/ft ² (332 kg/m ²) | 68 lb/ft ² (332 kg/m ²) |
| - | Operating Gallons (Max.) | 65 gal (246 Liters) | 77 gal. (291 Liters) |
| - | Product Weight (Empty) | 92 lbs (42 kg) | 110 lbs (50 kg) |
| - | Soaking Depth | 15.3" (389mm) | 15.8" (402mm) |
| L | Outer Length | 59.0" (1499mm) | 67.0" (1702mm) |
| W | Outer Width | 31.5" (800mm) | 31.5" (800mm) |
| H | Overall Height | 24.0" (610mm) | 24.0" (610mm) |
| A | Overflow Height | 15.5" (394mm) | 16.0" (406mm) |
| B | Long Edge to Drain Center | 15.8" (401mm) | 15.8" (401mm) |
| C | Short Edge to Drain Center | 29.5" (749mm) | 33.5" (851mm) |
| D | Drain Shoe Length | -- | |
| E | Flange Height | -- | |
| F | Deck Width* | 1.0" (25mm) | 1.0" (25mm) |
| G | Service Access Dimensions | No Service Access | |
| I | Floor Cutout for Drain | 4.0" x 4.0" (102mm x 102mm) | |
| J | Interior Dimensions Bottom of Bath (L x W) | 36.0" x 20.0" (914 mm x 508 mm) | 43.5" x 19.8" (1105 mm x 503 mm) |
| K | Interior Dimensions Top of Bath (L x W) | 57.0" x 30.0" (1448 mm x 747 mm) | 65.0" x 30.5" (1651 mm x 775 mm) |
| L2 | Interior Depth - Drain End | 18.5" (470mm) | 18.5" (470mm) |
| M | Backrest Angle | 24° | 29° |
| N | Footprint (L x W) | 48.9" x 26.7" (1242 mm x 678 mm) | 56.8" x 26.8" (1443 mm x 681 mm) |

NOTE

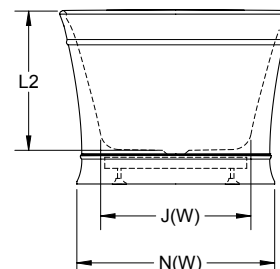
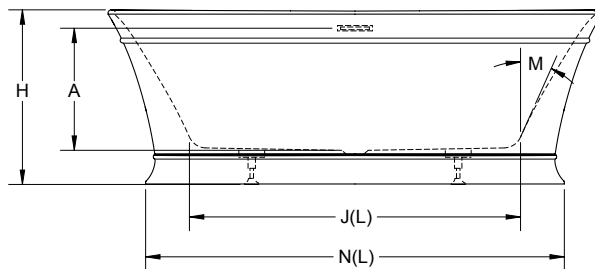
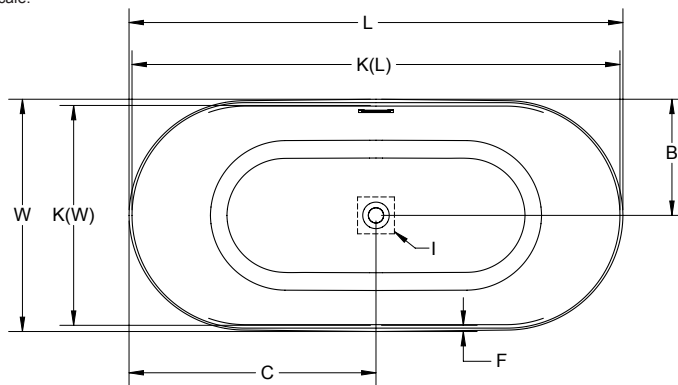
The overall dimensions are nominal with a tolerance of +0 and -.25" (6mm).

CAUTION: The integral overflow cover is not removable. The warranty will be voided if attempted.

KEY DIMENSIONS

Note: Drawings not to scale.

*Deck width reflects only area indicated on detail.



©2019 Jacuzzi Luxury Bath • For additional information, call Customer Service 800-288-4002 • www.jacuzzi.com/baths
Refer to installation instructions included with fixture before beginning installation. Please confirm product availability and specifications before commencing with any installation work.

PRODUCT SPECIFICATIONS AND AVAILABILITY ARE SUBJECT TO CHANGE WITHOUT NOTICE



Specifications

MODEL

- PT63827 KARINA™ FREESTANDING TUB FILLER - CHROME
- PT63826 KARINA™ FREESTANDING TUB FILLER - BRUSHED NICKEL
- PT63817 KARINA™ FREESTANDING TUB FILLER - MATTE BLACK
- PT63818 KARINA™ FREESTANDING TUB FILLER - BRUSHED BRONZE

FEATURES

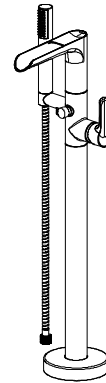
- Ceramic Cartridge
- Lever Style Handle
- 1/2" IPS connections
- Min Flow Rate: 2.4 gpm at 20 PSI
- Hand Shower Max Flow Rate: 1.8gpm at 80 PSI
- **PT61000 ROUGH-IN MANIFOLD KIT REQUIRED FOR CONCRETE INSTALLATIONS**

CODE COMPLIANCE

- ASME A112.18.1 / CSA B125.1
- IAPMO Certified

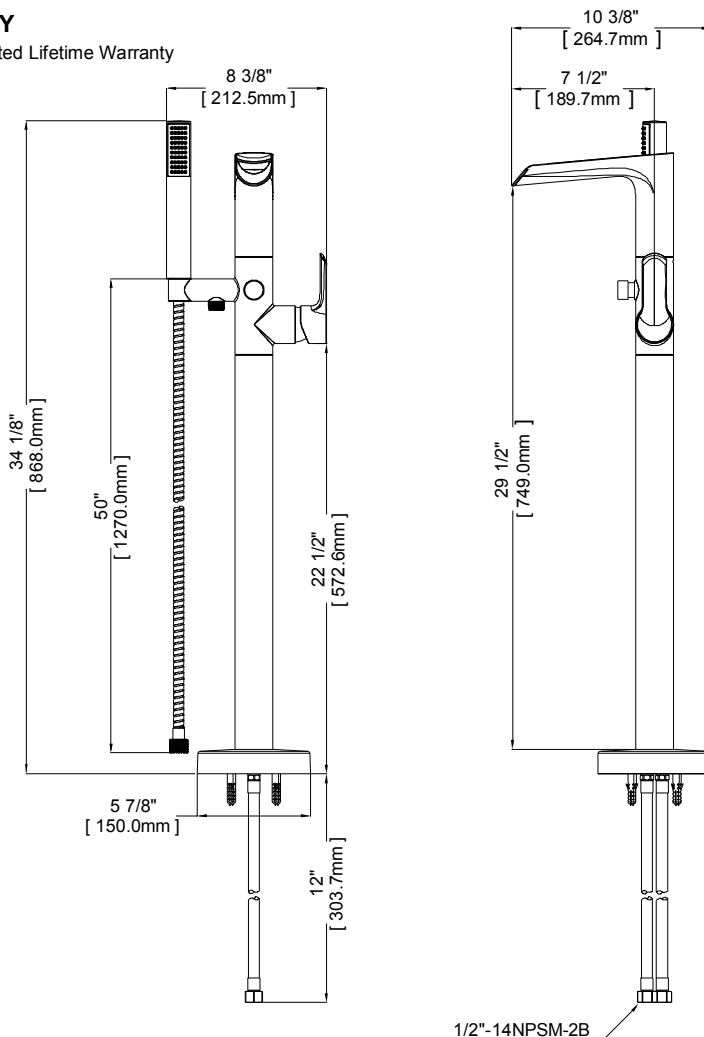
WARRANTY

- Limited Lifetime Warranty



KARINA™ FREESTANDING TUB FILLER

| MODEL | FINISH |
|---------|----------------|
| PT63827 | Chrome |
| PT63826 | Brushed Nickel |
| PT63817 | Matte Black |
| PT63818 | Brushed Bronze |



INSTALLATION DIMENSIONS



Jacuzzi reserves the right to make changes in specifications and materials and to change and discontinue models, both without the notice or obligation. Dimensions are for reference only.