



# FREESTANDING BATHS

## INSTALLATION INSTRUCTIONS

Contents.....	1
Safety Instructions.....	2
Inspection and Testing.....	4
Sub Floor.....	4
Deck Mount Faucet Installation.....	4
Installation Instructions for Tubs with Integral Overflow.....	5
Installation Instructions for 1-Piece Tub.....	5
Overflow Drain Hole Cutouts.....	6
Installation Instructions for 2-Piece Tub.....	6
Installation Instructions for Remote Blower.....	7
Installation Instructions for 2-Piece Tubs with Whisper+ Technology™ or Heated Soak.....	7
Installation Instructions for Bianca Whirlpool Drain Installation.....	8
Acrylic Bathtub Maintenance.....	9
Solid Surface Care and Cleaning Instructions.....	9
Notes.....	10
Warranty Registration Card.....	11

**Jacuzzi Luxury Bath**  
14525 Monte Vista Avenue  
Chino, California 91710

## Safety Instructions

### INSTRUCTIONS PERTAINING TO A RISK OF FIRE, ELECTRIC SHOCK, OR INJURY TO PERSONS.

This is a professional grade product. A knowledge of construction techniques, plumbing and electrical installation according to codes are required for proper installation and user satisfaction. We recommend that a licensed contractor perform the installation of all Jacuzzi Luxury Bath products. Our warranty does not cover improper installation related problems.



**CAUTION:** When using this unit, basic precautions should always be performed, including the following:

**READ AND FOLLOW ALL INSTRUCTIONS. SAVE THESE INSTRUCTIONS.**

- Use this unit only for its intended use as described in this manual. Do not use attachments not recommended by the manufacturer.
- Never drop or insert any object into any opening.



**WARNING: RISK OF ACCIDENTAL INJURY OR DROWNING!**

Do not permit children to use this unit unless they are closely supervised at all times. Do not use hydromassage bathtub unless all suction guards are installed to prevent body and hair entrapment. Never operate the hydromassage bathtub if the suction cover is broken, damaged or missing.



**DANGER: RISK OF SEVERE INJURY FROM ELECTRIC SHOCK OR DEATH FROM ELECTROCUTION!**

This unit must be connected only to a supply circuit that is protected by a 15 amp ground fault circuit interrupter (GFCI). Such a GFCI should be provided by the installer and should be tested on a routine basis. To test the GFCI, push the test button. The GFCI should interrupt power. Push the reset button. Power should be restored. If the GFCI fails to operate in this manner, the GFCI is defective. If the GFCI interrupts power to the bathtub without the test button being pushed, a ground current is flowing, indicating a possibility of an electric shock. Do not use this hydromassage bathtub. Disconnect the hydromassage bathtub and have the problem corrected by a qualified service representative before using.



**WARNING: RISK OF ELECTRIC SHOCK!**

Connect only to a circuit protected by a ground fault circuit interrupter (GFCI). (For permanently connected units) A green-colored terminal (or a wire connector) marked "G," "GR," "GROUND," or "GROUNDING" is provided within the terminal compartment. To reduce the risk of electric shock, connect the terminal or connector to the grounding terminal of your electric service or supply panel with a conductor equivalent in size to the circuit conductors supplying the equipment.



**CAUTION:** This equipment is intended for indoor use only. Install the equipment in accordance with these instructions. Use supply wires that are suitable for 167°F (75°C), including the temperature rating of the supply conductors to be used. This unit should be electrically grounded and installed by a licensed contractor, electrician, and plumber. Building materials and wiring should be routed away from the motor/pump or blower or other heat producing components of this unit. A pressure wire connector is provided on the exterior of the motor/pump and heater to permit connection of an No. 8 AWG solid copper bonding conductor between this unit and all other electric equipment and exposed metal in the vicinity, as needed to comply with local requirements.

### Important CSA Safety Instructions (Canadian models only)



When using this electrical equipment, basic safety precautions should always be followed, including the following:

1. WARNING: RISK OF ACCIDENTAL INJURY OR DROWNING! CHILDREN SHOULD NOT USE HYDROMASSAGE BATHTUB WITHOUT ADULT SUPERVISION.
2. WARNING: RISK OF ACCIDENTAL INJURY OR DROWNING! DO NOT USE HYDROMASSAGE BATHTUB UNLESS ALL SUCTION GUARDS ARE INSTALLED TO PREVENT BODY AND HAIR ENTRAPMENT.
3. WARNING: TO AVOID INJURY, EXERCISE CARE WHEN ENTERING OR EXITING THE HYDROMASSAGE BATHTUB.
4. WARNING: RISK OF ACCIDENTAL INJURY OR DROWNING! DO NOT USE DRUGS OR ALCOHOL BEFORE OR DURING THE USE OF A HYDROMASSAGE BATHTUB EQUIPPED WITH A HEATER TO AVOID UNCONSCIOUSNESS AND POSSIBLE DROWNING.
5. WARNING: RISK OF FETAL INJURY! PREGNANT OR POSSIBLY PREGNANT WOMEN SHOULD CONSULT A PHYSICIAN BEFORE USING A HYDROMASSAGE BATHTUB EQUIPPED WITH A HEATER.
6. WARNING: RISK OF HYPERTHERMIA AND POSSIBLE DROWNING: DO NOT USE A HYDROMASSAGE BATHTUB EQUIPPED WITH A HEATER IMMEDIATELY FOLLOWING STRENUOUS EXERCISE.
7. SAVE THESE INSTRUCTIONS.

**Safety Instructions (Continued)****WARNING: RISK OF HYPERTHERMIA AND POSSIBLE DROWNING!**

Do not use a hydromassage bathtub equipped with a heater immediately following strenuous exercise.

**WARNING: RISK OF ELECTRICAL SHOCK!**

- Do not permit electrical appliances (such as a hair dryer, lamp, telephone, radio or television) within 60" (1524 mm) of this hydromassage bathtub.
- Do not operate hydromassage system unless the bathtub is filled with water to at least 1-2" (25-51 mm) above the highest air hole.
- Do not immerse the control panel by overfilling the bathtub.
- When cleaning your bathtub, do not use abrasive substances which will damage the bathtub's surface.
- To prevent discoloration of the acrylic finish, do not fill the bathtub with water in excess of 140°F (60°C).

**WARNING: PROLONGED IMMERSION IN HOT WATER MAY INDUCE HYPERTHERMIA!**

Hyperthermia occurs when the internal temperature of the body reaches a level several degrees above the normal body temperature of 98.6°F (37°C). The symptoms of hyperthermia include an increase in the internal temperature of the body, dizziness, lethargy, drowsiness and fainting. The effects of hyperthermia include:

- A. Failure to perceive heat.
- B. Failure to recognize the need to exit the bathtub.
- C. Unawareness of impending hazard.
- D. Fetal damage in pregnant women.
- E. Physical inability to exit the bathtub.
- F. Unconsciousness resulting in danger of drowning.

**WARNING: RISK OF FETAL INJURY!**

Pregnant or possibly pregnant women should consult a physician before using a hydromassage bathtub equipped with a heater.

**WARNING:** The use of alcohol, drugs or medication can greatly increase the risk of fatal hyperthermia.

People using medications or having an adverse medical history should consult a physician before using a hydromassage bathtub equipped with a heater.

**WARNING:** The use of alcohol, drugs or medication can greatly increase the risk of fatal hyperthermia.

People using medications or having an adverse medical history should consult a physician before using a hydromassage bathtub equipped with a heater.



**WARNING:** Do not tamper with user-operated controls or such devices.



**WARNING:** Use this unit only for its intended use as described in this manual. Do not use attachments not recommended by the manufacturers.



**WARNING:** To avoid injury, exercise caution when entering or exiting the hydromassage bathtub.



**WARNING:** Do not use hydromassage bathtub unless all suction guards are installed to prevent body and hair entrapment. Never operate the hydromassage bathtub if the suction cover is broken, damaged or missing.



**WARNING:** Water temperature in excess of 104°F (40°C) may be injurious to your health. Check and adjust water temperature before use.



**CAUTION:** Test the ground fault circuit interrupter protecting this appliance periodically in accordance with manufacturer's instructions



**IMPORTANT:** Read the complete instructions provided in this manual before beginning installation.

The Company has obtained applicable code (standards) listings generally available on a national basis for products of this type. It is the responsibility of the installer/owner to determine specific local code compliance prior to installation of the product. The Company makes no representation or warranty regarding, and will not be responsible for any code compliance. Product specifications are subject to change without notice.

## Inspection and Testing

### Visual Inspection

- 1 Remove the bathtub from the shipping carton. Be careful not to scratch the surface of the bathtub on exposed staples. Remove the staples or fold them into the carton. Retain the carton until satisfactory inspection of the product has been made. Do not lift the bathtub by the plumbing at any time; handle by the shell only.
- 2 Inspect the shell and bathtub components. Should inspection reveal any damage or defect in the finish or visible damage to any components, do not install the bathtub. Damage or defect to the finish claimed after the bathtub is installed is excluded from the warranty. Jacuzzi Luxury Bath's responsibility for shipping damage ceases upon delivery of the products in good order to the carrier.
- 3 Refer any claims for damage to the carrier. For definitions of warranty coverage and limitations, refer to the published warranty information packed with the product.


### Bathtub Water and Operational Test

All bathtub units are factory tested for proper operation and watertight connections prior to shipping. However, the unit must be retested by the installer prior to installation. Jacuzzi Luxury Bath is not responsible for any defect that could have been discovered, repaired, or avoided by following this inspection and testing procedure:

- 1 Place the bathtub on a level surface, near appropriate water supply, and water drainage. A driveway is a suitable choice.
- 2 Seal the drain and overflow hole with tape or a stopper and fill the bathtub to the bottom of the overflow hole.
- 3 Allow bathtub to stand for 5 minutes.
- 4 Visually inspect all joints for leaks. Do not install the bathtub if leaks are detected.
- 5 Return bathtub to box or otherwise protect from damage until time of installation.

### Sub Floor

Prepare the sub floor for the drain and ensure that the area is level.

- 1 The drain/overflow of the bathtub extends below the bottom of the bathtub. Identify the drawing in the Technical Specifications section that corresponds with your bathtub (available on [www.jacuzzi.com](http://www.jacuzzi.com)).
  - 2 Determine the location of the basin. The floor must be flat and level.
  - 3 Make appropriate cuts to the Sub floor to accommodate the drain.
-  Please refer to the drawing(s) in the Technical Specifications section that correspond to your bathtub.

### Deck Mount Faucet Installation

Faucet elements must be installed in the recommended area (Fig. 1). Please refer to the Technical Specifications that correspond to your bathtub model for the recommended faucet areas. Not all bathtub models are compatible with deck-mounted faucet installation. Before drilling, position faucet elements to make sure that they do not interfere with other components such as overflow, plumbing, or supply valves. Some bathtub models without the integrated overflow may require the Low-Profile Overflow Kit (MU66000) for centerset faucet installation. This kit is included with bathtub models that require it.

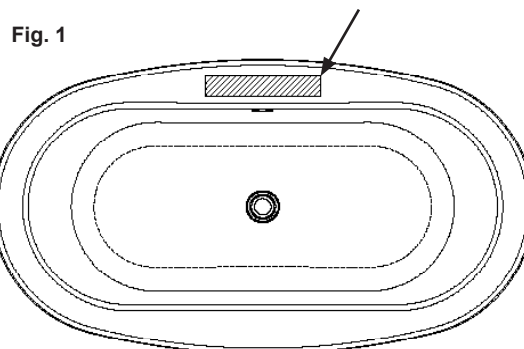
Faucet elements must be attached to a 36" (914 mm) long ½" stainless steel braided hoses so you can lift the bathtub when needed.

Apply masking tape on the finished side of the bathtub deck prior to drilling to prevent chipping. Follow the installation instructions provided by the faucet manufacturer, mark the locations of the faucet elements on the deck and drill the holes directly on the finished side.



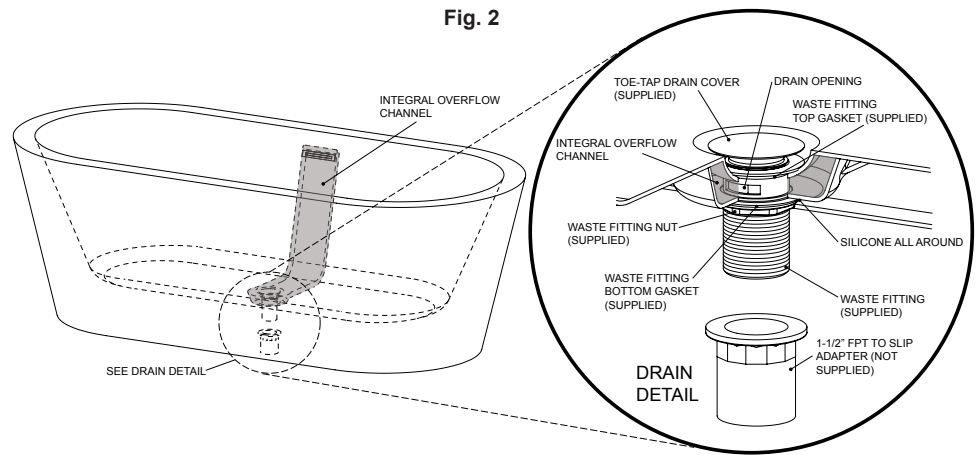
If installing the faucet on the same side as the overflow, make sure there is no interference between the two before drilling.

Recommended Faucet Area  
(Refer to Technical Specifications that correspond to your bathtub model)



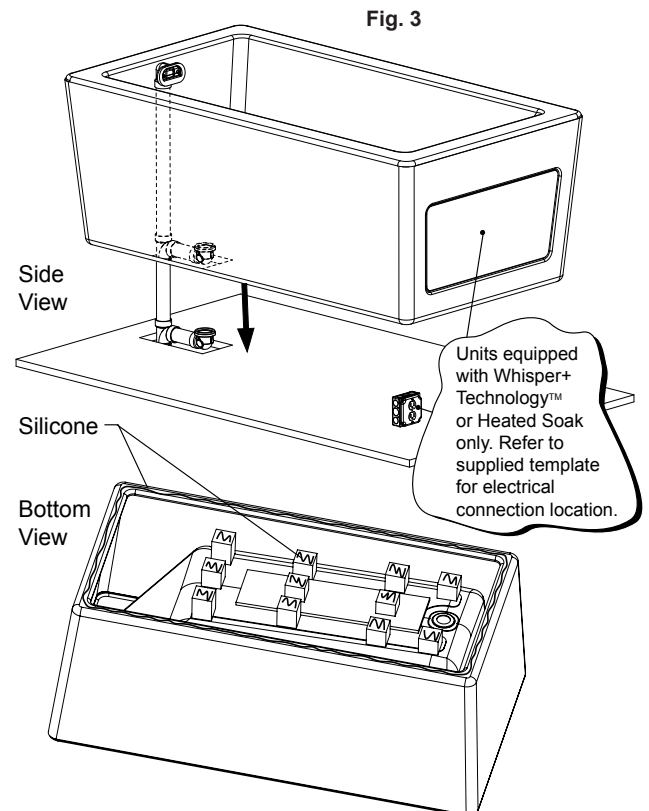
## Installation Instructions for Tubs with Integral Overflow

- 1 Install the metal drain/waste fitting (supplied with the tub) into the drain hole as illustrated (Fig 2). Ensure that the drain opening on the waste fitting is situated in the integral overflow channel (Fig. 2).
- 2 Use clear silicone to adhere the bottom gasket to the underside of the integral overflow channel.
- 3 Secure the waste fitting with the supplied waste fitting nut. Apply thread sealant to the threads prior to inserting the nut. Overtightening the nut may cause shell damage. Ensure the drain opening on the waste fitting is not exposed after tightening of the nut.
- 4 Install a PVC thread adaptor (not supplied) to the metal waste fitting. This is to provide a PVC to PVC drain adapter connection protruding from the floor. Water test fitting for leaks before installation. NOTE: Use PVC Cement per ASTM D2564 on all PVC joints.



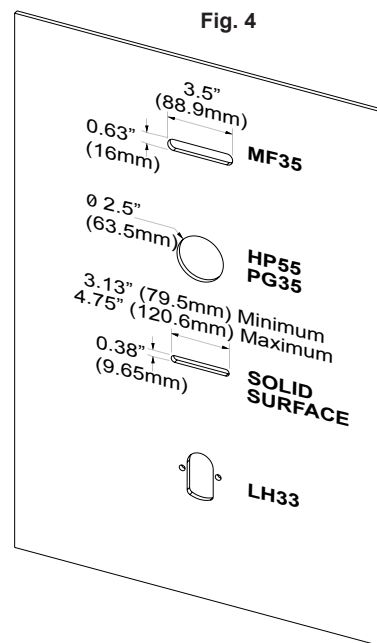
## Installation Instructions for 1-Piece Tub

- 1 Set the tub in its place and position precisely with respect to the drain-overflow location. Verify where the indentation for the drain is in relation to the drain-overflow. Use a marker to outline the perimeter of the entire tub directly on the floor (Fig. 3).
  - 2 Mark a trough for the overflow drain location on the floor. The drain/overflow extends below the bottom of the bath. The drain/overflow requires a cutout of the floor for providing space to accommodate the extension. Do not exceed the dimensions of the tub perimeter. When the above locations have been marked on the floor, remove the tub, set it aside and continue with the installation process.
  - 3 Prepare the drain/overflow trough according to the dimensions shown in the Technical Specifications section. The depth of the trough depends on the vertical extension of the drain elbow at the bottom of the plumbing below the floor level. Install the drain/overflow according to the manufacturer's instructions. Refer also to the Technical Specifications section.
- Watertight installation of the drain is the installer's responsibility. Drain leakage is excluded from the Jacuzzi Luxury Bath warranty of this product.
- 4 Before the tub may be secured to the floor, the following steps must be completed: Place the tub on the floor in relation to the drain/overflow. Place the tub on the floor and line up with the markings previously made on the floor.
- Floor-mounted or wall-mounted faucetry can be used exterior to the bath, this can be installed after the bath is installed into the floor.
- 5 Clean up debris left over from the construction steps taken thus far. Also, remove the perimeter outline of the template on the floor. Use silicone to attach tub to the sub floor. Make sure the tub is properly oriented according to the drain/overflow end.
- A bead of silicone sealant should be applied around the bottom of the tub. Carefully place the tub on the floor in the correct position and press to the floor. Place weights around the perimeter and allow the adhesive to cure before proceeding.



## Overflow Drain Hole Cutouts

Cutout (Fig. 4)	Drain Part Number
Linear Drain	MF35XXX
Rotary Drain	HP55XXX
Avvio Collection	Integral
Deep Soak Drain	LH33XXX
Slip Cover Drain	PG35XXX



## Installation Instructions for 2-Piece Tub

**1** Set the 2-piece tub in place and position it precisely with respect to the drain-overflow location. Verify where the indentation for the drain is in relation to the drain-overflow. Use a marker to outline the perimeter of the entire tub directly on the floor (Fig. 5).

**2** Mark a trough for the overflow drain location on the floor. The drain-overflow extends below the bottom of the bath. The drain-overflow requires a cutout of the floor for providing space to accommodate the extension. Do not exceed the dimensions of the tub perimeter.

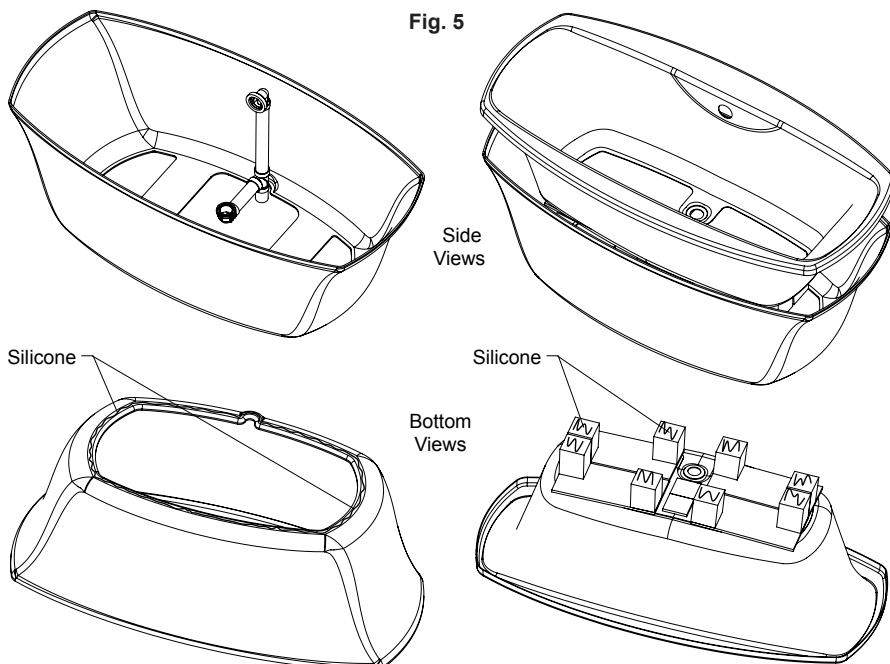
**3** When the above locations have been marked on the floor, remove the tub base (skirt), set it aside and continue with the installation process.

**4** Faucetry is not supplied with the freestanding bath. To use deck-mounted faucetry, flexible connection lines that are 72" in length must be used. These lines need to be installed prior to installing the bath into the skirt.

**5** When installing the faucet on the same side as the overflow, make sure there is no interference between the two before drilling.

**6** Use silicone to attach the tub skirt to the Sub floor. Make sure the tub is properly oriented according to the drain-overflow end. Place the tub skirt on the floor in relation to the drain/overflow. Place the tub skirt on the floor an line up with the markings previously made on the floor.

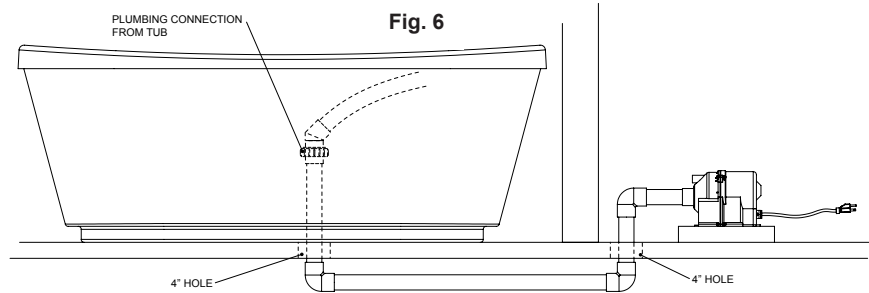
**7** Apply silicone to the foam feet or bottom of the adjustable feet. Carefully place the tub into the tub skirt in relation to the drain/overflow. Allow silicone to dry for 24-hours before entering and/or using the tub.



## Installation Instructions for Remote Blower

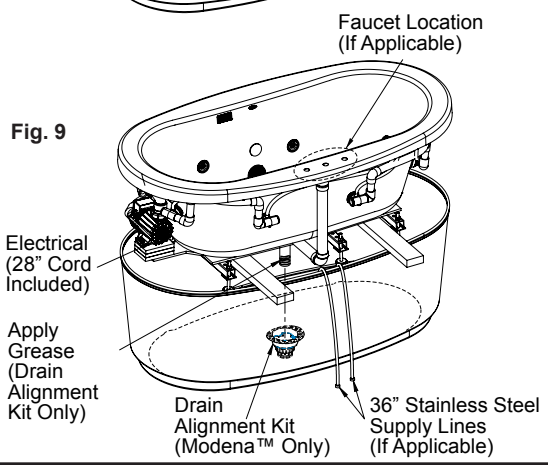
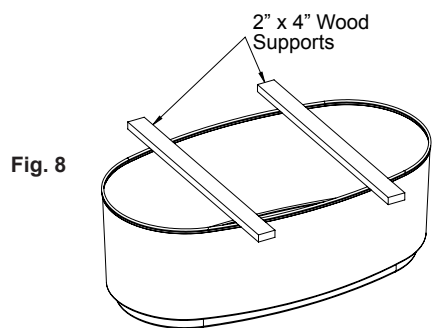
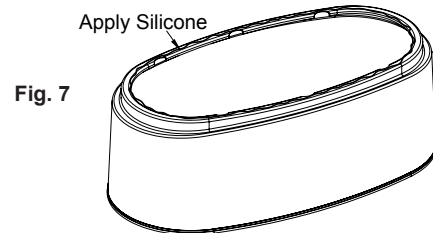
For ease of installation of remote blower and air line fittings, it is recommended there be access to the underside of the bathtub, either from above or below the sub floor.

- 1 Determine the locations for the blower and verify that access to blower and airline fittings will be possible after bathtub is installed. Blower location must be within 10 feet of the tub with no more than three elbows as illustrated (Fig. 6).
- 2 Use 1-1/2" schedule 40 PVC to connect the bathtub to the blower. Pipe connected directly to the blower should be secured with a stainless steel screw. Do not glue blower to the PVC.
- 3 The control cable provided with the tub is 25' long. Do not wrap the cable along the pipe from blower to bathtub.
- 4 Once airline fittings and control cable are connected to the blower, plug the blower into the outlet and test the operation before completing the installation.



## Installation Instructions for 2-Piece Tubs Equipped with Whisper+ Technology™ or Heated Soak

- 1 After locating the drain alignment kit, electrical, and water supply lines with the supplied template (Modena™ only), use a marker to trace the inside footprint of the skirt in the location where the bathtub will be placed. Add silicone only to the bottom of the skirt and place back in the marked area (Fig. 7).
- 2 Install the overflow drain kit onto the bathtub with the supplied brass tailpiece that is included in the drain alignment kit (Modena™ only). Be sure to apply the supplied grease to the end of the tailpiece where it will connect to the drain alignment kit (Fig. 9).
- 3 Place (2) four foot long 2" x 4" wood supports across the top of the skirt. Position the wood supports evenly over the skirt as illustrated (Fig. 8). They will support the bathtub during the connection of the water supply lines and the electrical connection.
- 4 Place the bathtub onto the wood supports in the position that it will be lowered into the skirt (Fig. 9). The wood supports need to be positioned under the bathtub away from the foam blocks or adjustable brackets. Orient the bathtub properly with respect to the electrical outlet and the drain. Also, make sure the drain and overflow areas line up with the drain alignment kit.
- 5 Connect the flexible water supply lines to the faucets if using a deck mounted faucet. Make certain the valves are in the closed position. Turn on the water supply and check for leaks at all connections.
- 6 Connect the electrical plug to the dedicated GFCI-protected outlet.



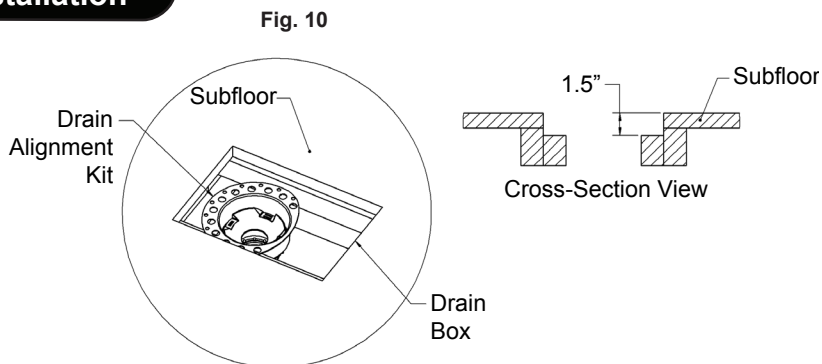
### Position Bathtub into Skirt

- 1 Lower the bathtub into place. Three people will be required to lower the bathtub into the skirt (one person at each end to lift the bathtub, and the third person to remove the two wood supports from the top of the bathtub skirt).
- ⚠ Take care not to damage the brass tailpiece while lowering the bathtub into the skirt (Modena™ only).
- 2 Turn on power to the dedicated GFCI-protected circuit and check vsystem operations.

## Installation Instructions for Bianca Whirlpool Drain Installation

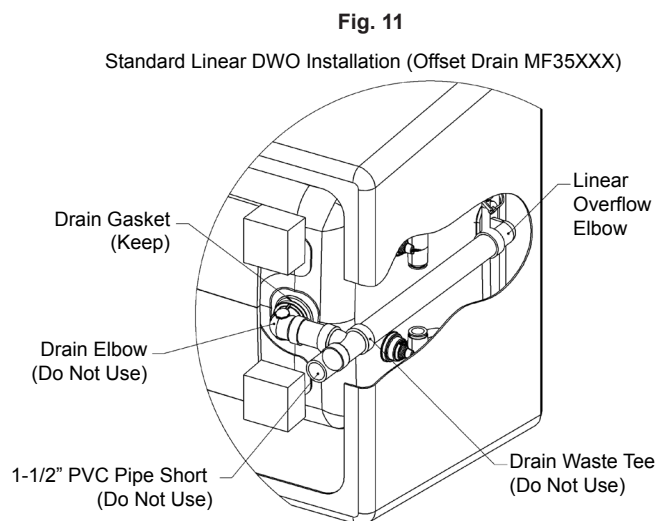
### Prepare Floor for Bianca Whirlpool Installation

- Using the supplied template, mark location where the tub is being installed. Then mark out the drain box as shown on the template.
- Cut out the drain box and recess the box minimum 1-1/2" below the subfloor (Fig. 10).
- Install the drain alignment kit into the drain box.



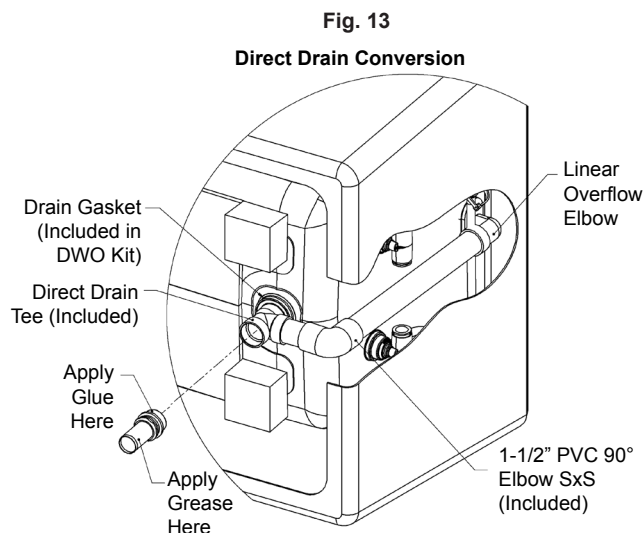
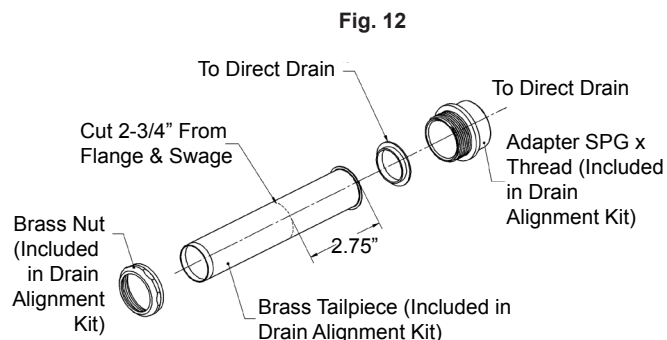
### Convert Linear DWO (MF35) to Direct Drain

- Unbox the Linear DWO (MF35) kit and set aside the following items: drain elbow, drain waste tee, and short piece of 1-1/2" PVC pipe. These items will not be needed for the conversion (Fig. 11).
- Locate the PVC adapter, brass tailpiece and nut from the drain alignment kit included in your tub. These will be used for the conversion.
- Cut the brass tailpiece to 2-3/4" in length. Deburr and roll the cut edge with a swage tool. Install components to the brass tailpiece as shown (Fig. 12).
- Install the Linear DWO with the items from the direct drain kit included in your tub as shown (Fig. 13). Make sure to use the drain gasket from the Linear DWO kit.
- Glue the brass tailpiece assembly to the direct drain as shown (Fig. 13).



### After Installing the Finished Floor

- Apply silicone to bottom flange of bath tub skirt. Apply grease to the brass tailpiece.
- Carefully lower the bath tub into place. Take care not to damage the brass tailpiece.





## Acrylic Bathtub Maintenance

### Cleaning The Bathtub

To clean the bathtub, use a mild Meguiar's nonabrasive liquid detergent solution. You can protect and restore the luster to a dulled acrylic surface by applying Meguiar's #10 Mirror Glaze, a product specifically designed for use on acrylic finishes.



Never use abrasive household cleaners of any kind on any Jacuzzi Luxury Bath product.

### Surface Repair

Minor scratches which do not penetrate the color finish can be removed by lightly sanding with #600-grit wet and dry sandpaper. Restore the gloss using Meguiar's Mirror Glaze. Major scratches and gouges which penetrate the acrylic surface will require refinishing. Call Jacuzzi Luxury Bath to find a service agent in your area.

## Solid Surface Care And Cleaning Instructions

Jacuzzi Luxury Bath solid surface baths are manufactured with non-porous and durable materials that, when properly cared for and cleaned, resist soil buildup and stains to a great degree. The unique blend of natural and man-made materials, while strong and beautiful, may contain very slight variances in color and surface texture throughout the tub. This is normal and a result of the handmade nature of the product. These baths have been engineered to withstand blemishes under normal use in a bathroom environment. Damage to the bath that results from improper use may void the warranty. Please operate and maintain the bath in accordance with all use and care instructions outlined in this manual. In the event that damage to the bath such as minor scratching to the surface is inadvertently incurred, a qualified professional may be able to restore the luster of the finish by lightly buffing out the imperfection. For recommended professionals, please contact Jacuzzi Luxury Bath.

To ensure proper care, follow these simple steps:

1. First clean with a mild dish soap and warm water; wipe clean with a soft, slightly damp cloth.
2. For more difficult stains such as grease, oil, paint or ink, apply rubbing alcohol; wipe clean with a soft, dry cloth.
3. Avoid abrasive cleansers and solvents, harsh chemicals or those containing lime removal elements. They may damage the finish and void the warranty.
4. Avoid abrasive scrubbing cloths or pads.
5. Avoid using razor blades or other sharp objects that might scratch the surface.
6. Avoid aftermarket bath products containing any sort of dye.
7. If unsure as to the suitability of a product's appropriateness for use with these baths, first test a very small amount of the product on an inconspicuous area of the bath before using on a visible surface.

#### **For Matte Finish Models (Observe these additional guidelines)**

For very difficult stains, Jacuzzi Luxury Bath recommends the following cleansers and materials: Mr. Clean Magic Eraser, Soft Scrub, Bon Ami or Gray Scotch Brite Pads (DO NOT use Green Scotch Brite Pads).

#### **For Gloss Finish Models (Observe these additional guidelines)**

An additional cleaning or polish using granite or high-gloss counter cleaners is an appropriate option. Jacuzzi Luxury Bath recommends the following cleansers and materials: Counter Magic. *Note: Avoid polishing the bath floor as this could result in a slippery, unsafe surface.*

**Notes:**



Jacuzzi Luxury Bath  
14525 Monte Vista Avenue  
Chino, California 91710



WARRANTY REGISTRATION CARD

To complete your registration, visit our website at www.jacuzzi.com or fill out and mail this card to the address printed on the other side within thirty (30) days from date of purchase in order for this warranty to take effect.



Purchaser's Name \_\_\_\_\_
Purchaser's Address \_\_\_\_\_
City \_\_\_\_\_ State \_\_ Zip \_\_\_\_\_
Home Phone: \_\_\_\_\_ Cell Phone: \_\_\_\_\_
Email: \_\_\_\_\_
Date of Purchase \_\_\_\_\_
Model Name \_\_\_\_\_
Serial Number \_\_\_\_\_
Dealer's Name \_\_\_\_\_
Dealer's Address \_\_\_\_\_

- 1. How did you first hear about this Jacuzzi® product?
2. Who first gave you specific information about this product (specifications, prices, etc.)?
3. What was the main reason for purchase?
4. Who finally decided which product you would buy?
5. Who installed?
6. What is the current market value of this property?
7. What is the age of the head of the household? Years
8. What other manufacturers did you consider?
9. How long did you shop before purchasing unit?
10. Approximately how long have you lived in this home?
11. Please indicate, approximately, the total annual income of your household.
12. Was your purchase process?
13. How technically aware were you of the patented Jacuzzi® jet system prior to your purchase?

Ninety-Day
Parts Only
Limited Warranty
On
Accessory(ies)



## BAÑERAS NO EMPOTRADAS

### INSTRUCCIONES DE INSTALACIÓN

Contenido .....	1
Instrucciones de seguridad.....	2
Inspección y prueba. ....	4
Contrapiso .....	4
Instalación de grifo con montaje en plataforma.....	4
Instrucciones de instalación para bañeras con desborde integral.....	5
Instrucciones de instalación para bañeras de 1 pieza.....	5
Recortes del orificio de drenaje del rebosadero .....	6
Instrucciones de instalación para bañeras de 2 piezas.....	6
Instrucciones de instalación para generadores de burbujas de aire con control remoto .....	7
Instrucciones de instalación para bañeras de 2 piezas con tecnología Whisper+ Technology™ o sistema de climatización constante .....	7
Instrucciones de instalación para el drenaje de Hidromasaje Bianca .....	8
Mantenimiento de bañeras de acrílico.....	9
Instrucciones para el cuidado y limpieza de las superficies sólidas .....	9
Notas .....	10
Tarjeta de registro de la garantía .....	11

**Jacuzzi Luxury Bath**  
14525 Monte Vista Avenue  
Chino, California 91710

## Instrucciones de seguridad

### INSTRUCCIONES RELATIVAS A RIESGOS DE INCENDIO, DESCARGAS ELÉCTRICAS O LESIONES A PERSONAS.

Este es un producto de calidad profesional. Se requieren conocimientos de técnicas de construcción, fontanería e instalación eléctrica conforme a los códigos para la instalación apropiada y la satisfacción del usuario. Recomendamos que un contratista autorizado realice la instalación de todos los productos Jacuzzi Luxury Bath. Nuestra garantía no cubre problemas relacionados con instalaciones inadecuadas.



**PRECAUCIÓN:** Al utilizar esta unidad, siempre debe tomar las precauciones básicas, que incluyen lo siguiente:

**LEA Y SIGA TODAS LAS INSTRUCCIONES. CONSERVE ESTAS INSTRUCCIONES.**

- Utilice esta unidad solo para el fin para el cual fue diseñada, según se describe en este manual. No utilice accesorios que no estén recomendados por el fabricante.
- No deje caer ni introduzca objetos en ninguna de las aberturas.



**ADVERTENCIA: RIESGO DE LESIONES ACCIDENTALES O AHOGAMIENTO.**

No permita que los niños utilicen esta unidad a menos que sean supervisados atentamente en todo momento. No utilice la bañera de hidromasaje a menos que todas las tapas protectoras de succión estén instaladas para evitar que el cabello o partes del cuerpo queden atrapados. Nunca utilice la bañera de hidromasaje si la tapa protectora de succión está rota, dañada o extraviada.



**PELIGRO: RIESGO DE LESIONES GRAVES POR DESCARGA ELÉCTRICA O MUERTE POR ELECTROCUCIÓN.**

Esta unidad se debe conectar solamente a un circuito de suministro que esté protegido por un interruptor de circuito con detección de falla a tierra (GFCI, por su sigla en inglés) de 15 A. Dicho GFCI debe ser suministrado por el instalador y debe ser puesto a prueba habitualmente. Para probar el GFCI, pulse el botón de prueba. El GFCI debería interrumpir la alimentación. Pulse el botón de restablecimiento. La alimentación debería restablecerse. Si el GFCI no funciona de esta manera significa que está defectuoso. Si el GFCI interrumpe la alimentación hacia la bañera sin que se pulse el botón de prueba, un flujo de corriente de retorno por tierra está indicando la posibilidad de una descarga eléctrica. No utilice esta bañera de hidromasaje. Desconecte la bañera de hidromasaje y haga corregir el problema por un representante calificado del servicio técnico antes de usarla.



**ADVERTENCIA: RIESGO DE DESCARGA ELÉCTRICA.**

Realice la conexión solamente a un circuito protegido por un interruptor de circuito con detección de falla a tierra (GFCI). (Para unidades conectadas permanentemente) Hay un terminal de color verde (o un conector de cable) marcado como "G," "GR," "GROUND" o "GROUNDING" dentro del compartimiento del terminal. Para reducir el riesgo de descarga eléctrica, conecte el terminal o el conector al terminal a tierra de su servicio eléctrico o panel de alimentación con un conductor de igual tamaño a los conductores del circuito que alimentan el equipo.



**PRECAUCIÓN:** Este equipo está previsto para uso en interiores solamente. Instale el equipo conforme a estas instrucciones.

Utilice los cables de alimentación adecuados para 167 °F (75 °C), incluido el índice de temperatura de los conductores de alimentación que se van a utilizar. Esta unidad debe conectarse eléctricamente a tierra, y debe instalarla un contratista, electricista o fontanero matriculado. Los materiales de construcción y el cableado deben direccionarse lejos del motor/bomba o del generador de burbujas de aire, o de otros componentes de producción de calor de esta unidad. En el exterior del motor/bomba y del calentador, se proporciona un conector de cable de presión para facilitar la conexión de un conductor de unión de cobre sólido n.º 8 AWG entre esta unidad y todos los otros equipos eléctricos y los metales expuestos próximos, según sea necesario para cumplir con los requerimientos locales.

### Instrucciones importantes de seguridad de la Asociación de Normas Canadienses (solo para modelos canadienses)



Quando utilice este equipo eléctrico, siempre debe tomar las precauciones de seguridad básicas, que incluyen las siguientes:

1. ADVERTENCIA: RIESGO DE LESIONES ACCIDENTALES O AHOGAMIENTO. LOS NIÑOS NO DEBEN UTILIZAR BAÑERAS DE HIDROMASAJE SIN LA SUPERVISIÓN DE UN ADULTO.
2. ADVERTENCIA: RIESGO DE LESIONES ACCIDENTALES O AHOGAMIENTO. NO UTILICE LA BAÑERA DE HIDROMASAJE A MENOS QUE TODAS LAS TAPAS PROTECTORAS DE SUCCIÓN ESTÉN INSTALADAS PARA EVITAR QUE EL CABELLO O PARTES DEL CUERPO QUEDEN ATRAPADOS.
3. ADVERTENCIA: PARA EVITAR LESIONES, TENGA CUIDADO AL ENTRAR O SALIR DE LA BAÑERA DE HIDROMASAJE.
4. ADVERTENCIA: RIESGO DE LESIONES ACCIDENTALES O AHOGAMIENTO. NO UTILICE DROGAS O ALCOHOL ANTES O DURANTE LA UTILIZACIÓN DE UNA BAÑERA DE HIDROMASAJE CON CALENTADOR PARA EVITAR LA PÉRDIDA DEL CONOCIMIENTO Y UN POSIBLE AHOGAMIENTO.
5. ADVERTENCIA: RIESGO DE LESIÓN FETAL. LAS MUJERES EMBARAZADAS O CON POSIBILIDAD DE EMBARAZO DEBEN CONSULTAR A UN MÉDICO ANTES DE UTILIZAR UNA BAÑERA DE HIDROMASAJE CON CALENTADOR.
6. ADVERTENCIA: RIESGO DE HIPERTERMIA Y POSIBLE AHOGAMIENTO: NO UTILICE UNA BAÑERA DE HIDROMASAJE CON CALENTADOR INMEDIATAMENTE DESPUÉS DE REALIZAR EJERCICIOS FÍSICOS EXTENUANTES.
7. CONSERVE ESTAS INSTRUCCIONES.

## Instrucciones de seguridad (continuación)



### ADVERTENCIA: RIESGO DE HIPERTERMIA Y POSIBLE AHOGAMIENTO.

No utilice una bañera de hidromasaje con calentador inmediatamente después de realizar ejercicios físicos extenuantes.



### ADVERTENCIA: RIESGO DE DESCARGA ELÉCTRICA.

- No utilice electrodomésticos (como secadores de pelo, lámparas, teléfonos, radios o televisores) dentro de un radio de 60 pulgadas (1524 mm) de esta bañera de hidromasaje.
- No ponga en funcionamiento el sistema de hidromasaje a menos que la bañera tenga un nivel de agua de 1 a 2 pulgadas (de 25 a 51 mm) como mínimo por encima del orificio de aire más alto.
- No sumerja el panel de control llenando en exceso la bañera.
- No utilice sustancias abrasivas para limpiar su bañera, ya que pueden dañar la superficie.
- Para evitar la decoloración del acabado acrílico, no llene la bañera con agua a más de 140 °F (60 °C).



### ADVERTENCIA: LA INMERSIÓN PROLONGADA EN AGUA CALIENTE PUEDE CAUSAR HIPERTERMIA.

La hipotermia ocurre cuando la temperatura interna del cuerpo alcanza un nivel superior a la temperatura corporal normal de 98,6 °F (37 °C). Los síntomas de la hipotermia incluyen el aumento de la temperatura corporal interna, mareos, aletargamiento, somnolencia y desmayo. Los efectos de la hipotermia incluyen los siguientes:

- Incapacidad para percibir el calor.
- Incapacidad para reconocer la necesidad de salir de la bañera.
- Desconocimiento de un peligro inminente.
- Daño fetal en mujeres embarazadas.
- Incapacidad física para salir de la bañera.
- Pérdida del conocimiento con peligro de ahogamiento.



### ADVERTENCIA: RIESGO DE LESIÓN FETAL.

Las mujeres embarazadas o con posibilidad de embarazo deben consultar a un médico antes de utilizar una bañera de hidromasaje con calentador.



### ADVERTENCIA: El uso de alcohol, drogas o medicamentos puede aumentar en gran medida el riesgo de hipotermia fatal.

Las personas que tomen medicamentos o tengan una historia clínica desfavorable deben consultar a un médico antes de utilizar una bañera de hidromasaje con calentador.



### ADVERTENCIA: El uso de alcohol, drogas o medicamentos puede aumentar en gran medida el riesgo de hipotermia fatal.

Las personas que tomen medicamentos o tengan una historia clínica desfavorable deben consultar a un médico antes de utilizar una bañera de hidromasaje con calentador.



### ADVERTENCIA: No altere los controles operados por el usuario ni los dispositivos semejantes.



### ADVERTENCIA: Utilice esta unidad solo para el fin para el cual fue diseñada, según se describe en este manual. No utilice accesorios que no estén recomendados por los fabricantes.



### ADVERTENCIA: Para evitar lesiones, tenga cuidado al entrar y al salir de la bañera de hidromasaje.



### ADVERTENCIA: No utilice la bañera de hidromasaje a menos que todas las tapas protectoras de succión estén instaladas para evitar que el cabello o partes del cuerpo queden atrapados. Nunca utilice la bañera de hidromasaje si la tapa protectora de succión está rota, dañada o extraviada.



### ADVERTENCIA: La temperatura del agua por encima de los 104 °F (40 °C) puede resultar perjudicial para su salud. Controle y regule la temperatura del agua antes de utilizar la bañera.



### PRECAUCIÓN: Controle el interruptor de circuito con detección de falla a tierra que protege este dispositivo de forma periódica conforme a las instrucciones del fabricante.



### IMPORTANTE: Lea las instrucciones completas proporcionadas en este manual antes de comenzar la instalación.

La empresa ha obtenido los listados de los códigos (normas) aplicables que suelen estar disponibles a nivel nacional para productos de este tipo. Es responsabilidad del instalador o propietario determinar el cumplimiento de los códigos locales específicos antes de instalar el producto. La empresa no realiza declaraciones ni ofrece garantías con respecto al cumplimiento de ningún código, ni será responsable de dicho cumplimiento. Las especificaciones del producto están sujetas a cambio sin previo aviso.

## Inspección y prueba

### Inspección visual

- 1 Retire la bañera de la caja de envío. Tenga cuidado de no rayar la superficie de la bañera con las grapas expuestas. Retire las grapas o pliéguelas hacia el cartón. Conserve la caja hasta que la inspección del producto haya sido satisfactoria. Nunca levante la bañera sujetándola por la fontanería; solo hágalo por el armazón.
- 2 Inspeccione el armazón y los componentes de la bañera. En caso de que la inspección revele cualquier daño o defecto en el acabado o daño visible en los componentes, no instale la bañera. Los daños o defectos en el acabado reclamados después de la instalación de la bañera están excluidos de la garantía. La responsabilidad de Jacuzzi Luxury Bath por daños durante el transporte finaliza contra entrega de los productos en buen estado al transportista.
- 3 Presente cualquier reclamo por daños al transportista. Para conocer los términos de la cobertura y las limitaciones de la garantía, consulte la información publicada sobre la garantía embalada con el producto.

### Verificación del funcionamiento y del agua de la bañera

El funcionamiento apropiado de todas las unidades y el buen estado de las conexiones herméticas son probados en fábrica antes del envío. No obstante, el instalador debe examinar la unidad nuevamente antes de la instalación. Jacuzzi Luxury Bath no se hace responsable de ningún defecto que pudiera haberse descubierto, reparado o evitado de haberse seguido este procedimiento de inspección y prueba:

- 1 Coloque la bañera sobre una superficie nivelada, cerca de un suministro de agua y drenaje de agua adecuados. Una vía de acceso es una opción adecuada.
- 2 Selle el orificio de drenaje y de desborde con una cinta o un tapón y llene la bañera hasta la base del orificio de desborde.
- 3 Permita que el agua de la bañera repose por 5 minutos.
- 4 Inspeccione visualmente todas las uniones para ver si existen pérdidas. No instale la bañera si se detectan pérdidas.
- 5 Vuelva a colocar la bañera en la caja o de lo contrario protéjala de daños hasta el momento de la instalación.

### Contrapiso

Prepare el contrapiso para el drenaje y asegúrese de que el área esté nivelada.

- 1 El drenaje/desborde de la bañera se extiende por debajo de la parte inferior de ésta. Identifique la ilustración que corresponde con su bañera en la sección Especificaciones Técnicas (disponible en [www.jacuzzi.com](http://www.jacuzzi.com)).
- 2 Determine la ubicación del lavabo. El piso debe estar plano y nivelado.
- 3 Realice cortes apropiados en el contrapiso para ubicar el drenaje.



Consulte las ilustraciones correspondientes a su bañera en la sección Especificaciones Técnicas.

### Instalación de grifo con montaje en plataforma

Los elementos del grifo deben instalarse en el área recomendada (Fig. 1). Por favor, consulte las áreas recomendadas para el grifo en las Especificaciones Técnicas que correspondan a su modelo de tina. No todos los modelos de tina son compatibles con una instalación de grifo con montaje en plataforma. Antes de perforar, sitúe los elementos del grifo para asegurarse que no interfieren con otros componentes como el desagüe, la plomería o las válvulas de suministro. Puede que algunos modelos de tina sin el desagüe integrado necesiten el Kit de Desagüe de Perfil Bajo (MU66000) para la instalación de un grifo de tipo centrado. Este kit está incluido con aquellos modelos de tina que lo necesitan.

Los elementos del grifo deben acoplarse a una manguera trenzada de acero inoxidable de 1/2" de 36" (914 mm) de longitud de manera que usted pueda levantar la tina cuando lo necesite.

Aplique cinta adhesiva en el lado terminado de la plataforma de la tina antes de perforar, para evitar que se astille. Siga las instrucciones de instalación facilitadas por el fabricante del grifo, marque las ubicaciones de los elementos del grifo en la plataforma y perforo los orificios directamente en el lado terminado.



Si instala el grifo en el mismo lado que el desagüe, asegúrese que no haya interferencia entre los dos antes de perforar.

Área recomendada para el grifo  
(Consulte las Especificaciones Técnicas  
que correspondan a su modelo de tina)

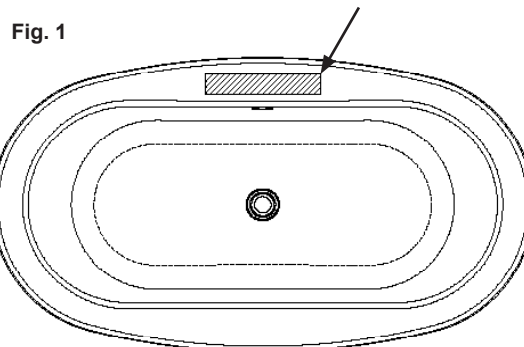
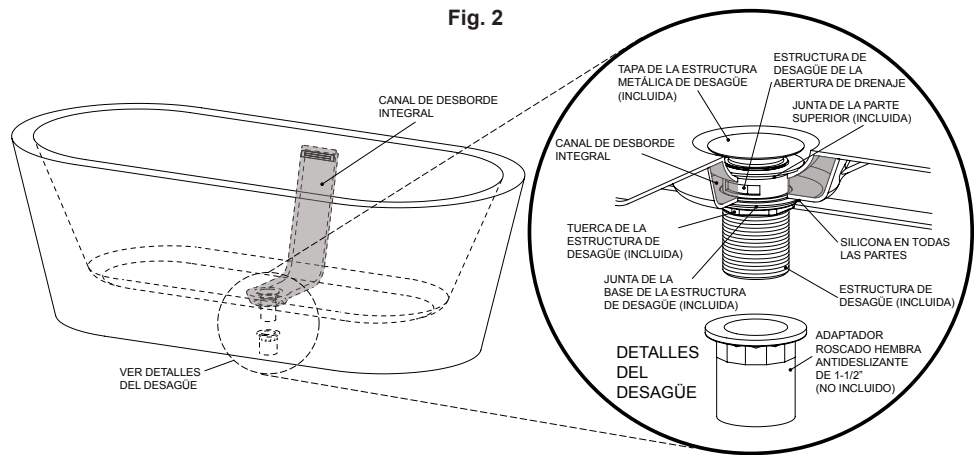


Fig. 1



## Instrucciones de instalación para bañeras con desborde integral

- 1 Instale la estructura metálica de drenaje/desagüe (que se proporciona con la bañera) dentro del orificio de desagüe, como se muestra en la ilustración (Figura 2). Asegúrese de que la abertura de drenaje de la estructura de desagüe esté ubicada en el canal de desborde integral (Figura 2).
- 2 Utilice silicona transparente para adherir la junta de la base a la parte inferior del canal de desborde integral.
- 3 Asegure la estructura de desagüe con la tuerca proporcionada. Aplique sellador para roscas antes de insertar la tuerca. Si ajusta demasiado la tuerca puede dañar el armazón. Asegúrese de que la abertura del drenaje de la estructura de desagüe no quede expuesta luego de ajustar la tuerca.
- 4 Instale un adaptador para el sellador de PVC (no incluido) en la estructura metálica de desagüe. Esto es para proporcionar una conexión con adaptador de drenaje de PVC a PVC que sobresalga del piso. Compruebe que no haya pérdidas en la estructura de desagüe antes de la instalación.  
NOTA: Utilice cemento de PVC por cada D2564 de ASTM en todas las juntas de PVC.



## Instrucciones de instalación para bañeras de 1 pieza

- 1 Coloque la bañera en su lugar y posición exactos en relación con la ubicación del drenaje/rebosadero. Verifique dónde está la mella para el drenaje con respecto al drenaje/rebosadero. Utilice un marcador para delinear el perímetro de toda la bañera directamente en el piso (Figura 3).
- 2 Marque un canal para la ubicación del drenaje de rebosadero en el piso. El drenaje/rebosadero se extiende por debajo de la parte inferior de la bañera. El drenaje/rebosadero requiere que se recorte una parte del piso para obtener espacio para acomodar la extensión. No se deben superar las dimensiones del perímetro de la bañera. Una vez marcadas las ubicaciones anteriores en el piso, quite bañera y colóquela a un lado para continuar con el proceso de instalación.
- 3 Prepare el canal de drenaje/rebosadero de acuerdo con las dimensiones establecidas en la sección Especificaciones Técnicas. La profundidad del canal depende de la extensión vertical del codo de drenaje en la parte inferior de la fontanería por debajo del nivel del piso. Instale el drenaje/rebosadero conforme a las instrucciones del fabricante. Consulte también la sección de Especificaciones Técnicas.



La instalación impermeable del drenaje es responsabilidad del instalador. La pérdida del drenaje no está incluida en la garantía Jacuzzi Luxury Bath de este producto.

- 4 Antes de fijar la bañera al piso, debe seguir los siguientes pasos: Coloque la bañera sobre el piso en relación con la ubicación del drenaje/rebosadero. Coloque la bañera sobre el piso y hágala coincidir con las marcas que hizo antes sobre el piso.

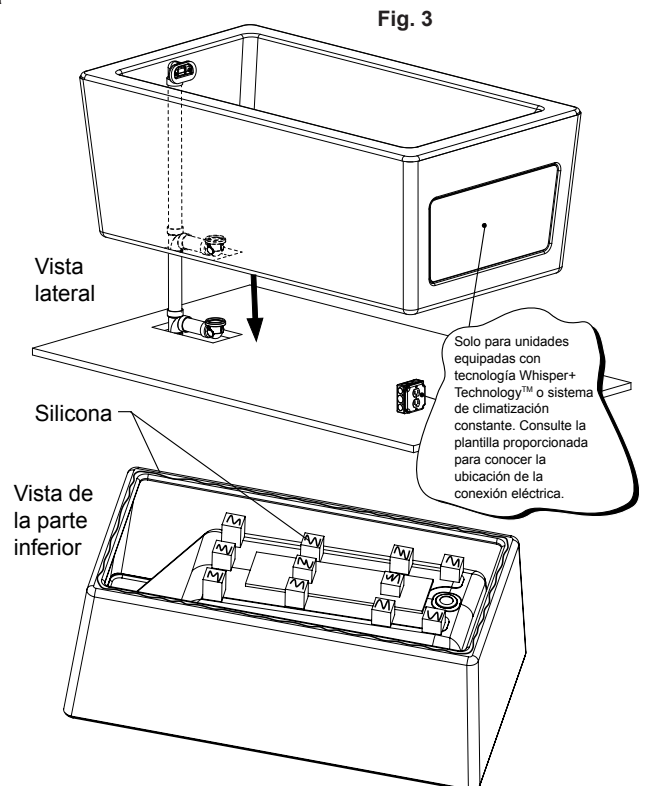


La grifería montada en el piso o en la pared puede utilizarse por afuera de la bañera, puede instalarse luego de haber instalado la bañera en el piso.

- 5 Limpie los desechos de los pasos de construcción anteriores. También, retire el perímetro de la plantilla delineado sobre el piso. Utilice silicona para fijar la bañera al contrapiso. Asegúrese de que la bañera se encuentre bien ubicada en relación con el extremo del drenaje/rebosadero.

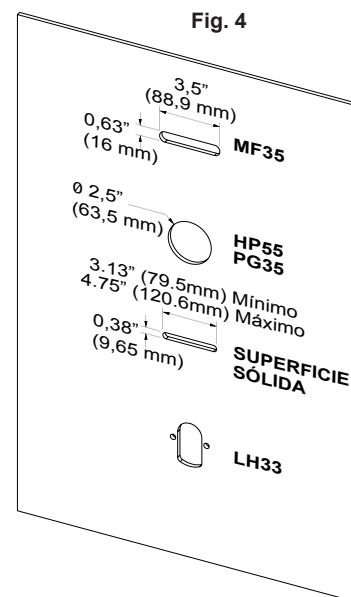


Debe aplicarse una capa de sellador de silicona alrededor de la parte inferior de la bañera. Con cuidado, coloque la bañera sobre el piso en la posición correcta y presione contra este. Coloque pesas sobre todo el perímetro y deje curar el adhesivo antes de proceder.



## Recortes del orificio de drenaje del rebosadero

Recorte (Figura 4).	Número de pieza del drenaje
Drenaje lineal	MF35XXX
Drenaje giratorio	HP55XXX
Colección Avvio	Integral
Desagüe para bañera profunda	LH33XXX
Desagüe con tapa deslizante	PG35XXX



## Instrucciones de instalación para bañeras de 2 piezas

**1** Coloque la bañera de dos piezas en su lugar y posición exactos en relación con la ubicación del drenaje/ rebosadero. Verifique dónde está la mella para el drenaje con respecto al drenaje/ rebosadero. Utilice un marcador para delinear el perímetro de toda la bañera directamente en el piso (Figura 5).

**2** Marque un canal para la ubicación del drenaje de rebosadero en el piso. El drenaje/rebosadero se extiende por debajo de la parte inferior de la bañera. El drenaje/rebosadero requiere que se recorte una parte del piso para obtener espacio para acomodar la extensión. No se deben superar las dimensiones del perímetro de la bañera.

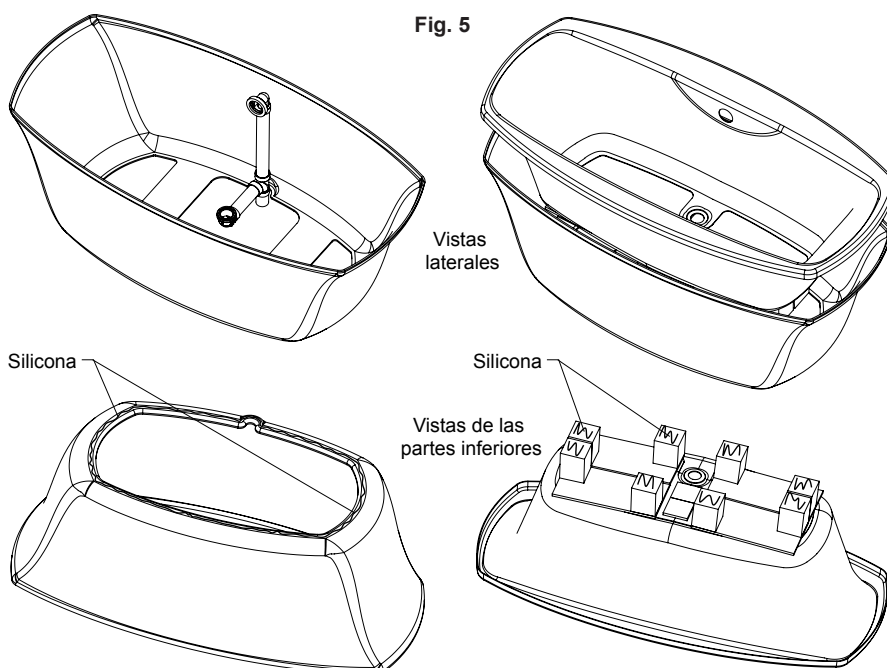
**3** Una vez marcadas las ubicaciones anteriores en el piso, quite la base de la bañera (faldón) y colóquela a un lado para continuar con el proceso de instalación.

**4** La bañera no empotrada no incluye grifería. Para utilizar grifería montada en la plataforma, se necesitan conexiones flexibles de 72 pulgadas de largo. Estas conexiones deben instalarse previamente a la colocación de la bañera dentro del faldón.

**5** Al instalar el grifo en el mismo lado que el rebosadero, asegúrese de que no haya interferencia entre ambos antes de perforar.

**6** Utilice silicona para fijar el faldón de la bañera al contrapiso. Asegúrese de que la bañera se encuentre bien ubicada en relación con el drenaje/rebosadero. Coloque el faldón de la bañera sobre el piso en relación con la ubicación del drenaje/rebosadero. Coloque el faldón de la bañera sobre el piso y hágalo coincidir con las marcas que hizo antes sobre el piso.

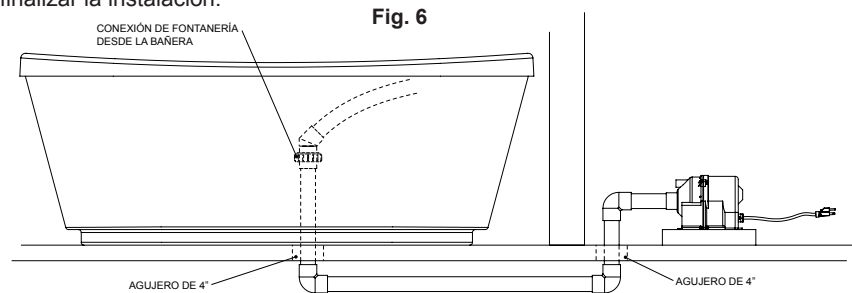
**7** Aplique silicona en los pies de la espuma o en la base de los pies ajustables. Con cuidado, coloque la bañera dentro del faldón en relación con la ubicación del drenaje/rebosadero. Deje secar la silicona durante 24 horas antes de entrar y/o utilizar la bañera.



## Instrucciones de instalación para generadores de burbujas de aire con control remoto

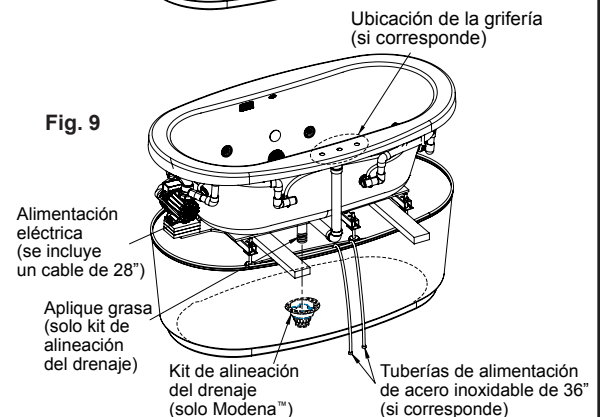
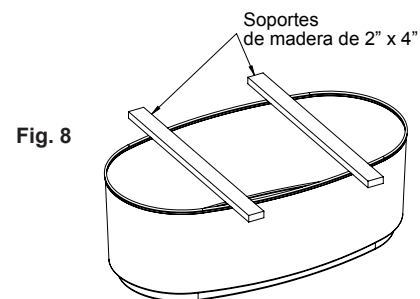
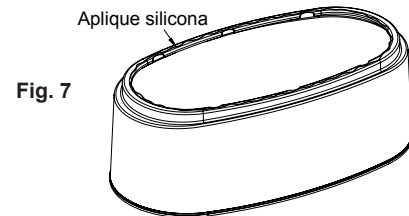
Para una fácil instalación del generador de burbujas de aire con control remoto y el accesorio de la línea de aire, se recomienda tener acceso a la parte inferior de la bañera, tanto desde arriba como desde abajo del contrapiso.

- 1 Determine las ubicaciones del generador de burbujas de aire y verifique que sea posible acceder a éste y al accesorio de la línea de aire luego de haber instalado la bañera. El generador debe estar ubicado dentro de los 10 pies (3 metros) de la bañera con no más de tres codos, como se muestra en la ilustración (Figura 6).
- 2 Utilice PVC sch 40 de 1-1/2" para conectar la bañera al generador. La tubería conectada directamente al generador de burbujas de aire debe asegurarse con un tornillo de acero inoxidable. No pegue el generador al PVC.
- 3 El cable del control proporcionado con la bañera es de 25 pies (7,62 metros) de largo. No envuelva el cable a lo largo de la tubería del generador a la bañera.
- 4 Una vez que el accesorio de línea de aire y el cable de control estén conectados al generador, enchúfelo en la toma de corriente y compruebe su funcionamiento antes de finalizar la instalación.




## Instrucciones de instalación para bañeras de 2 piezas equipadas con tecnología Whisper+ Technology™ o sistema de climatización constante

- 1 Luego de ubicar el kit de alineación del drenaje y las tuberías de alimentación eléctrica e hídrica con la plantilla proporcionada (solo Modena™), utilice un marcador para delinear la huella interior del faldón en el lugar donde irá colocada la bañera. Agregue silicona solo en la base del faldón y vuélvalo a colocar en el área marcada (Figura 7).
- 2 Instale el kit de drenaje del rebosadero dentro de la bañera con la lengüeta postiza de latón que incluida en el kit de alineación del drenaje (solo Modena™). Asegúrese de aplicar la grasa proporcionada en el extremo de la lengüeta postiza donde se conectará con el kit de alineación del drenaje (Figura 9).
- 3 Coloque (2) soportes de madera de cuatro pies (1,21 metros) de largo, de 2" x 4", sobre la parte superior del faldón. Coloque los soportes de madera horizontalmente sobre el faldón, como se muestra en la ilustración (Figura 8). Servirán de apoyo para la bañera durante la conexión de las tuberías de alimentación hídrica y la conexión eléctrica.
- 4 Coloque la bañera sobre los soportes de madera en la posición en la cual se bajará dentro del faldón (Figura 9). Los soportes de madera deben ubicarse debajo de la bañera lejos de los bloques de espuma o los soportes ajustables. Oriente la bañera en forma correcta con respecto de la toma eléctrica y el drenaje. También, asegúrese de que las áreas de drenaje y rebosadero se alineen con el kit de alineación del drenaje.
- 5 Conecte las tuberías flexibles de suministro de agua a las griferías, en caso de utilizar una grifería montada en la plataforma. Asegúrese de que las válvulas se encuentren en la posición de cierre. Encienda la alimentación hídrica y controle que no haya pérdidas en todas las conexiones.
- 6 Conecte el enchufe eléctrico a la toma de corriente protegida por una GFCI especializada.



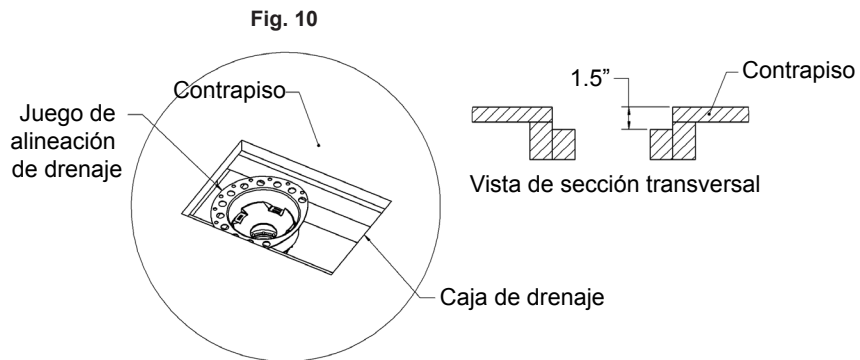
### Coloque la bañera dentro del faldón

- 1 Baje la bañera en su lugar. Se requiere de tres personas para bajar la bañera dentro del faldón (una persona en cada extremo para levantar la bañera y la tercera persona para quitar los dos soportes de madera de la parte superior del faldón de la bañera).
-  Tenga cuidado de no dañar la lengüeta postiza mientras baja la bañera dentro del faldón (solo Modena™).
- 2 Encienda el suministro de energía para el circuito especializado protegido con GFCI y compruebe el funcionamiento del sistema.

## Instrucciones de instalación para el drenaje de Hidromasaje Bianca

### Prepare el piso para la instalación del Hidromasaje Bianca

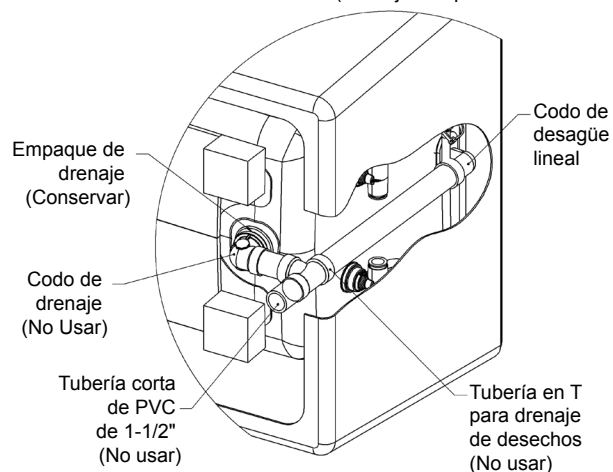
1. Usando la plantilla suministrada, marque la ubicación donde se va a instalar la tina. Luego marque la caja del drenaje tal como se muestra en la plantilla.
2. Corte la caja del drenaje y empotre la caja por lo menos 1-1/2" debajo del contrapiso (Fig.10).
3. Instale el juego de alineación del drenaje en la caja de drenaje.



### Convierta DWO (MF35) lineal a drenaje directo

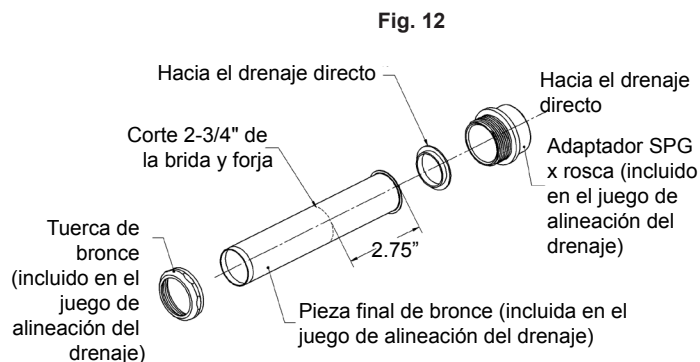
1. Saque de la caja el juego DWO (MF35) lineal y colóquelo a un lado de los siguientes artículos: codo de drenaje, tubo en T de drenaje de desechos y una pieza corta de tubería PVC de 1-1/2". Estos artículos no se van a necesitar para la conversión (Fig. 11).
2. Localice el adaptador de PVC, la pieza final de bronce y el perno del juego de alineación del drenaje incluido en su tina. Estos se usarán para la conversión.
3. Corte la pieza final de bronce a 2-3/4" de longitud. Quite las rebabas y enrolle el borde del corte con una herramienta de contracción. Instale los componentes a la pieza final de bronce como se muestra (Fig. 12).
4. Instale el DWO lineal con los artículos del juego de drenaje directo incluido en su tina como se muestra (Fig. 12). Asegúrese de usar el empaque del juego DWO lineal.
5. Pegue el ensamble de la pieza final de bronce al drenaje directo como se muestra (Fig. 13).

**Fig. 11**  
Instalación del DWO lineal estándar (Drenaje compensado MF35XXX)

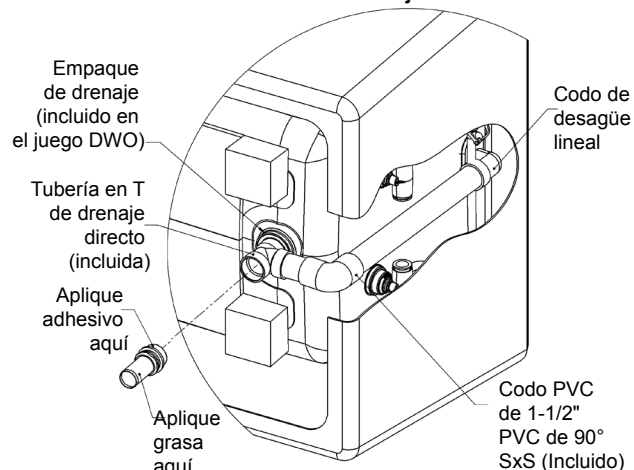


### Después de instalar el piso acabado

1. Aplique silicona a la brida inferior del faldón de la tina. Aplique grasa a la pieza final de bronce.
2. Baje cuidadosamente la tina hacia su lugar. Tenga cuidado de no dañar la pieza final de bronce.



**Fig. 13**  
Conversión de drenaje directo



## Mantenimiento de la bañera de acrílico

### Limpieza de la bañera

Para limpiar la bañera, utilice un detergente líquido suave no abrasivo de Meguiar. Puede proteger y restaurar el brillo de una superficie acrílica opaca aplicando Mirror Glaze n.º 10 de Meguiar, un producto diseñado específicamente para uso en acabados acrílicos.



No utilice limpiadores abrasivos de uso doméstico de ninguna clase en los productos Jacuzzi Luxury Bath.

### Reparación de superficies

Los rayones menores que no penetran el acabado de color se pueden eliminar lijando suavemente con un papel de lija húmedo o seco de grano 600. Restaure el brillo con Mirror Glaze de Meguiar. Será necesario volver a aplicar el acabado si los rayones y estrías penetran en la superficie acrílica. Llame a Jacuzzi Luxury Bath para localizar a un agente de servicio cercano a su domicilio.

## Instrucciones para el cuidado y limpieza de las superficies sólidas

Las bañeras de superficie sólida Jacuzzi Luxury Bath se fabrican con materiales no porosos y duraderos que, con el cuidado y la limpieza apropiados, tienen gran resistencia a la acumulación de suciedad y manchas. La mezcla única de materiales naturales y sintéticos, aunque resistente y estética, puede variar levemente en cuanto al color y la textura superficial de la bañera. Esto es algo normal y es resultado de la naturaleza artesanal del producto. Estas bañeras han sido diseñadas para resistir imperfecciones en condiciones de uso normales en baños. El daño a la bañera que resulte de un uso inadecuado puede anular la garantía. Utilice y mantenga la bañera conforme a todas las instrucciones de uso y cuidado que se describen en este manual. En caso de que algún daño a la bañera, como una rayadura menor a la superficie ocurra de manera inadvertida, un profesional calificado puede restaurar el lustre del acabado puliendo suavemente la imperfección. Para obtener información sobre profesionales recomendados, póngase en contacto con Jacuzzi Luxury Bath.

Para garantizar el cuidado adecuado, siga estos pasos sencillos:

1. Primero limpie con detergente suave y agua tibia. Limpie con un paño suave y ligeramente húmedo.
2. Para quitar manchas más difíciles como las de grasa, aceite, pintura o tinta, coloque alcohol. Limpie con un paño suave y seco.
3. Evite el uso de disolventes y limpiadores abrasivos, químicos agresivos o productos que contengan ingredientes para la remoción de cal. Estos productos pueden dañar el acabado y anular la garantía.
4. Evite el uso de paños o almohadillas abrasivos.
5. Evite el uso de navajas u otros objetos filosos que puedan rayar la superficie.
6. Evite el uso de productos de baño que contengan cualquier tipo de colorante.
7. Si no está seguro de si el producto es adecuado para usar en estas bañeras, pruebe primero una pequeña cantidad del producto en un área de la bañera desapercibida antes de utilizarlo en una superficie visible.

#### Para modelos de acabado mate (consulte estas pautas adicionales)

Para quitar manchas muy difíciles, Jacuzzi Luxury Bath recomienda los siguientes limpiadores y materiales: Limpiadores Mr. Clean Magic Eraser, Soft Scrub, almohadillas Bon Ami o Scotch-Brite grises (**NO utilice almohadillas Scotch-Brite verdes**).

#### Para modelos de acabado brillante (consulte estas pautas adicionales)

Una limpieza o pulido adicional con limpiadores para mesadas de granito o de alto brillo es una opción adecuada. Jacuzzi Luxury Bath recomienda los siguientes limpiadores y materiales: Counter Magic. *Nota: Evite pulir el piso de la bañera, ya que puede hacer que la superficie sea resbaladiza e insegura.*

# Notas:

Español



Jacuzzi Luxury Bath  
14525 Monte Vista Avenue  
Chino, California 91710



## TARJETA DE REGISTRO DE LA GARANTÍA

Para completar el registro, visite nuestro sitio web en [www.jacuzzi.com](http://www.jacuzzi.com) o llene esta tarjeta y envíela por correo a la dirección impresa al dorso dentro de los treinta (30) días a partir de la fecha de compra para que esta garantía tenga vigencia.

Nombre del comprador \_\_\_\_\_

Dirección del comprador \_\_\_\_\_

Ciudad \_\_\_\_\_ Estado \_\_\_\_\_ Código postal \_\_\_\_\_

Teléfono de línea: \_\_\_\_\_ Teléfono celular: \_\_\_\_\_

Correo electrónico: \_\_\_\_\_

Fecha de compra \_\_\_\_\_

Nombre del modelo \_\_\_\_\_

Número de serie \_\_\_\_\_

Nombre del distribuidor \_\_\_\_\_

Dirección del distribuidor \_\_\_\_\_

1. ¿Cómo se enteró por primera vez de este producto Jacuzzi®?
  - Anuncio publicitario  Artículo en revista/periódico
  - Visitó al distribuidor/proveedor de instalaciones sanitarias  Páginas amarillas
  - Constructor/fontanero/remodelador  Decorador/arquitecto
  - Visitó tienda minorista/de artículos para el hogar
  - Referido por otros... Amigo/pariente/conocido
  - Otro (Describa) \_\_\_\_\_
2. ¿Quién fue el primero en darle información específica sobre este producto (especificaciones, precios, etc.)?
  - Distribuidor/proveedor de instalaciones sanitarias  Constructor  Remodelador
  - Contratista de fontanería  Tienda minorista/de artículos para el hogar
  - Decorador/arquitecto  Ya estaba instalado
3. ¿Cuál fue el principal motivo para la compra?
  - Estilo  Servicio de garantía  Características del producto
  - Marca  Precio  Hidroterapia
  - Reventa del hogar \_\_\_\_\_
  - Otros \_\_\_\_\_
4. ¿Quién tomó la decisión final de qué producto comprar?
  - Usted mismo  Cónyuge  Usted y su cónyuge
  - Otro miembro de la familia  Diseñador/arquitecto
  - Constructor/fontanero/remodelador  Ya estaba instalado
5. ¿Quién lo instaló?  Ya estaba instalado/casa nueva
  - Contratista/plomero durante la remodelación
  - Usted/cónyuge durante la remodelación
  - Otros \_\_\_\_\_
6. ¿Cuál es el valor de mercado actual de esta propiedad?  
Estime en \$ \_\_\_\_\_
7. ¿Qué edad tiene el jefe de familia? Años \_\_\_\_\_
8. ¿Qué otros fabricantes tuvieron en cuenta?
  - Eljer  Lasco  Price Pfister  Aqua Glass
  - Kohler  American Standard  Sterling
  - Otro (especifique) \_\_\_\_\_
9. ¿Cuánto tiempo estuvo buscando antes de comprar la unidad?
  - 1 día  de 2 a 6 meses
  - de 2 a 7 días  de 6 meses a 1 año
  - de 1 a 2 semanas  de 1 a 2 años
  - de 2 a 4 semanas  más de 2 años
  - 1 a 2 meses
10. Aproximadamente, ¿cuánto tiempo lleva viviendo en esta casa \_\_\_\_\_?
11. Indique, aproximadamente, el ingreso anual total de su grupo familiar.
  - Hasta \$24.999  de \$50.000 a \$74.999
  - De \$25.000 a \$29.999  de \$75.000 a \$99.999
  - De \$30.000 a \$39.999  de \$100.000 a \$149.999
  - de \$40.000 a \$49.999  \$150.000 y más
12. ¿Cómo fue el proceso de compra?
  - Muy fácil  Fácil  Difícil  Muy difícil
13. Desde el punto de vista técnico, ¿cuánto conocía usted sobre el sistema de chorros Jacuzzi® patentado antes de realizar la compra?
  - No conocía nada  Conocía algo  Conocía mucho



Garantía limitada de noventa días, sólo de partes, para Accesorio(s)





## BAIGNOIRES EN ILOT

### CONSIGNES D'INSTALLATION

Table des matières.....	1
Consignes de sécurité.....	2
Inspection et essai.....	4
Sous-plancher.....	4
Installation d'un robinet monté sur plateforme.....	4
Consignes d'installation : baignoire avec trop-plein intégré.....	5
Consignes d'installation : baignoire 1 pièce.....	5
Orifices d'évacuation du trop-plein.....	6
Consignes d'installation : baignoire 2 pièces.....	6
Consignes d'installation : souffleur à distance.....	7
Consignes d'installation : baignoire 2 pièces avec système Whisper+ TechnologyMC ou Heated Soak.....	7
Directives d'installation du drain du bain tourbillon Bianca.....	8
Entretien des baignoires acycliques.....	9
Consignes de nettoyage et d'entretien des surfaces solides.....	9
Remarques.....	10
Fiche d'enregistrement de garantie.....	11

**Jacuzzi Luxury Bath**  
14525 Monte Vista Avenue  
Chino, California 91710  
États-Unis

## Consignes de sécurité

### CONSIGNES RELATIVES AUX RISQUES D'INCENDIE, D'ÉLECTROCUTION OU DE BLESSURES.

Ceci est un produit de qualité professionnelle. Des connaissances relatives aux techniques de construction, à la plomberie et l'installation électrique conformes aux codes sont nécessaires pour garantir l'installation adéquate du produit et la satisfaction de l'utilisateur. Nous vous recommandons de faire installer tous vos produits Jacuzzi Luxury Bath par un entrepreneur agréé. Notre garantie ne couvre pas les problèmes causés par une mauvaise installation.



**MISE EN GARDE** : lors de l'utilisation de cette unité, veillez à toujours prendre des précautions de base, notamment les suivantes :  
**LISEZ ET RESPECTEZ TOUTES LES CONSIGNES. CONSERVEZ CE MANUEL D'INSTRUCTIONS.**

- Utilisez uniquement cette unité aux fins prévues, décrites dans le présent manuel. N'utilisez aucun accessoire non recommandé par le fabricant.
- Ne déposez ni n'insérez jamais aucun objet dans les ouvertures.



#### **AVERTISSEMENT : RISQUE DE BLESSURE ACCIDENTELLE OU DE NOYADE!**

Ne laissez pas des enfants utiliser cette unité sans surveillance étroite et permanente. N'utilisez pas la baignoire d'hydromassage tant que toutes les protections anti-aspiration ne sont pas installées, pour éviter que des parties du corps et des cheveux ne restent coincés. Ne faites jamais fonctionner la baignoire d'hydromassage si le couvercle d'aspiration est brisé, endommagé ou manquant.



#### **DANGER : RISQUE DE BLESSURE GRAVE CAUSÉE PAR UNE DÉCHARGE ÉLECTRIQUE OU DE DÉCÈS PAR ÉLECTROCUTION!**

Cette unité doit exclusivement être raccordée à un circuit d'alimentation protégé par un disjoncteur de fuite à la terre (GFCI) de 15 A. Un tel disjoncteur doit être fourni par l'installateur et doit être vérifié sur une base régulière. Pour vérifier le disjoncteur, appuyez sur le bouton d'essai. Le disjoncteur doit interrompre le courant. Appuyez sur le bouton de réinitialisation. Le courant doit être rétabli. Si le disjoncteur ne fonctionne pas de cette façon, il est défectueux. Si le disjoncteur de fuite à la terre interrompt le courant vers la baignoire sans que l'on appuie sur le bouton d'essai, cela signifie qu'un courant à la terre circule et qu'il existe un risque de décharge électrique. N'utilisez pas cette baignoire d'hydromassage. Débranchez la baignoire d'hydromassage et faites rectifier le problème par un technicien qualifié avant de l'utiliser à nouveau.



#### **AVERTISSEMENT : RISQUE DE DÉCHARGE ÉLECTRIQUE!**

À raccorder exclusivement à un circuit protégé par un disjoncteur de fuite à la terre (GFCI). (Pour les unités raccordées en permanence) Une borne verte (ou un serre-fils) portant la mention « G », « GR » ou « GROUNDING » est fournie dans le compartiment des bornes. Pour réduire le risque de décharge électrique, raccordez la borne ou le serre-fils à la borne de mise à la terre de votre service électrique ou pupitre d'alimentation avec un conducteur de taille équivalente aux conducteurs du circuit alimentant l'équipement.



**MISE EN GARDE** : cet équipement est exclusivement prévu pour une utilisation à l'intérieur. Installez l'équipement conformément aux présentes consignes. Utilisez des câbles d'alimentation résistant à une température de 75 °C (167 °F). Cela vaut aussi pour la température nominale des conducteurs d'alimentation. Cette unité doit être mise à la terre électriquement et installée par un entrepreneur, un électricien et un plombier agréés. Les matériaux de construction et le câblage doivent être acheminés loin du bloc pompe/moteur ou du souffleur ou des autres composants de cette unité produisant de la chaleur. Un connecteur de fil à pression est fourni à l'extérieur du bloc pompe/moteur et de l'appareil de chauffage pour permettre la connexion d'un conducteur de mise à la masse en cuivre massif n° 8 AWG entre cette unité et tout autre équipement électrique et autre métal exposé dans les environs, au besoin, pour se conformer aux exigences locales.

### Consignes de sécurité importantes pour la conformité aux normes de l'ACNOR/CSA (modèles canadiens seulement)



Veillez à toujours appliquer les mesures de sécurité de base suivantes lorsque vous utilisez cet équipement électrique :

1. AVERTISSEMENT : RISQUE DE BLESSURE ACCIDENTELLE OU DE NOYADE! LES ENFANTS NE DOIVENT PAS UTILISER LA BAIGNOIRE D'HYDROMASSAGE SANS LA SUPERVISION D'UN ADULTE.
2. AVERTISSEMENT : RISQUE DE BLESSURE ACCIDENTELLE OU DE NOYADE! N'UTILISEZ PAS LA BAIGNOIRE D'HYDROMASSAGE TANT QUE TOUTES LES PROTECTIONS ANTI-ASPIRATION NE SONT PAS INSTALLÉES, POUR ÉVITER QUE DES PARTIES DU CORPS ET DES CHEVEUX NE RESTENT COINCÉS.
3. AVERTISSEMENT : POUR ÉVITER LES BLESSURES, SOYEZ VIGILANT LORSQUE VOUS ENTREZ OU SORTEZ DE LA BAIGNOIRE D'HYDROMASSAGE.
4. AVERTISSEMENT : RISQUE DE BLESSURE ACCIDENTELLE OU DE NOYADE! NE CONSOMMEZ NI DROGUE NI ALCOOL AVANT OU PENDANT L'UTILISATION D'UNE BAIGNOIRE D'HYDROMASSAGE ÉQUIPÉE D'UN APPAREIL DE CHAUFFAGE, POUR ÉVITER TOUT RISQUE D'ÉVANOUISSEMENT ET DE NOYADE.
5. AVERTISSEMENT : RISQUE DE PRÉJUDICE CORPOREL AU FŒTUS! LES FEMMES ENCEINTES OU POSSIBLEMENT ENCEINTES DOIVENT CONSULTER UN MÉDECIN AVANT D'UTILISER UNE BAIGNOIRE D'HYDROMASSAGE MUNIE D'UN APPAREIL DE CHAUFFAGE.
6. AVERTISSEMENT : RISQUE D'HYPERTHERMIE ET DE NOYADE : N'UTILISEZ PAS DE BAIGNOIRE D'HYDROMASSAGE ÉQUIPÉE D'UN APPAREIL DE CHAUFFAGE IMMÉDIATEMENT APRÈS UN EFFORT PHYSIQUE INTENSE.
7. CONSERVEZ CE MANUEL D'INSTRUCTIONS.

## Consignes de sécurité importantes (suite)



### AVERTISSEMENT : RISQUE D'HYPOTHERMIE ET DE NOYADE !

N'utilisez pas de baignoire d'hydromassage équipée d'un appareil de chauffage immédiatement après un effort physique intense.



### AVERTISSEMENT : RISQUE DE DÉCHARGE ÉLECTRIQUE!

- Aucun appareil électrique (comme les sèche-cheveux, les lampes, les téléphones, les radios ou les téléviseurs) ne doit se trouver à une distance de moins de 1 524 mm (60 po) de cette baignoire d'hydromassage.
- Ne faites fonctionner le système d'hydromassage que si le niveau d'eau de la baignoire se situe à au moins 25 à 51 mm (1 à 2 po) au-dessus du trou d'air le plus élevé.
- N'immergez pas le panneau de commande en remplissant la baignoire de façon excessive.
- Pour nettoyer votre baignoire, n'utilisez pas de substances abrasives qui risquent d'endommager sa surface.
- Pour éviter la décoloration de la finition en acrylique, ne remplissez pas la baignoire avec de l'eau dont la température dépasse 60 °C (140 °F).



### AVERTISSEMENT : UNE IMMERSION PROLONGÉE DANS DE L'EAU CHAUDE PEUT ENTRAÎNER L'HYPERTHERMIE!

L'hyperthermie survient lorsque la température interne du corps dépasse de plusieurs degrés sa température normale, qui est de 37 °C (98,6 °F). Les symptômes de l'hyperthermie incluent l'augmentation de la température interne du corps, des étourdissements, la léthargie, la somnolence et l'évanouissement. Les effets de l'hyperthermie incluent :

- Incapacité à percevoir la chaleur.
- Incapacité à reconnaître la nécessité de sortir de la baignoire.
- Ignorance des dangers imminents.
- Dommages au fœtus chez les femmes enceintes.
- Incapacité physique à sortir de la baignoire.
- Évanouissement entraînant un risque de noyade.



### AVERTISSEMENT : RISQUE DE PRÉJUDICE CORPOREL AU FŒTUS!

Les femmes enceintes ou possiblement enceintes doivent consulter un médecin avant d'utiliser une baignoire d'hydromassage munie d'un appareil de chauffage.



**AVERTISSEMENT** : la consommation d'alcool, de drogues ou de médicaments peut grandement augmenter le risque de décès par hyperthermie. Il est conseillé aux personnes qui suivent un traitement médicamenteux ou ont des antécédents médicaux contre-indiqués de consulter un médecin avant d'utiliser une baignoire d'hydromassage équipée d'un appareil de chauffage.



**AVERTISSEMENT** : la consommation d'alcool, de drogues ou de médicaments peut grandement augmenter le risque de décès par hyperthermie. Il est conseillé aux personnes qui suivent un traitement médicamenteux ou ont des antécédents médicaux contre-indiqués de consulter un médecin avant d'utiliser une baignoire d'hydromassage équipée d'un appareil de chauffage.



**AVERTISSEMENT** : ne tentez pas de modifier les commandes actionnées par l'utilisateur ou les dispositifs similaires.



**AVERTISSEMENT** : utilisez uniquement cette unité aux fins prévues, décrites dans le présent manuel. N'utilisez aucun accessoire non recommandé par le fabricant.



**AVERTISSEMENT** : pour éviter les accidents, soyez vigilant lorsque vous entrez ou sortez de la baignoire d'hydromassage.



**AVERTISSEMENT** : n'utilisez pas la baignoire d'hydromassage tant que toutes les protections anti-aspiration ne sont pas installées, pour éviter que des parties du corps et des cheveux ne restent coincés. Ne faites jamais fonctionner la baignoire d'hydromassage si le couvercle d'aspiration est brisé, endommagé ou manquant.



**AVERTISSEMENT** : une eau dont la température est supérieure à 40 °C (104 °F) peut nuire à votre santé. Vérifiez et ajustez la température de l'eau avant l'utilisation.



**MISE EN GARDE** : vérifiez régulièrement le disjoncteur de fuite à la terre protégeant cet appareil, conformément aux consignes du fabricant.



**IMPORTANT** : lisez l'intégralité des consignes fournies dans le présent manuel avant de commencer l'installation.

L'Entreprise a obtenu les classifications de code (normes) applicables habituellement offertes à l'échelle nationale pour les produits de ce type. L'installateur/le propriétaire doit déterminer le niveau de conformité au code local spécifique avant d'installer le produit. L'entreprise n'effectue aucune déclaration ni aucune garantie relative à la conformité au code et elle ne peut pas être tenue pour responsable à cet égard. Les caractéristiques techniques du produit peuvent être modifiées sans préavis.

## Inspection et essai

### Inspection visuelle

- 1 Retirez la baignoire de son emballage. Faites attention à ne pas rayer la surface de la baignoire avec les agrafes exposées. Retirez les agrafes ou repliez-les sur la boîte. Conservez la boîte jusqu'à ce que vous ayez effectué une inspection satisfaisante du produit. Ne soulevez jamais la baignoire par la plomberie. Saisissez-la uniquement par la coque.
- 2 Examinez la coque et les composants de la baignoire. Si l'inspection révèle des dommages ou des défauts dans le fini ou des dommages visibles au niveau d'un composant, n'installez pas la baignoire. Les dommages ou les défauts au fini réclamés après l'installation de la baignoire sont exclus de la garantie. La responsabilité de Jacuzzi Luxury Bath quant aux dommages causés par l'expédition prend fin au moment de la livraison au transporteur de produits en bon état.
- 3 Communiquez avec le transporteur pour toute réclamation pour des dommages. Pour obtenir des détails sur la couverture et les limites de la garantie, reportez-vous aux renseignements sur la garantie publiés et emballés avec le produit.

### Essai d'eau et test de fonctionnement de la baignoire

Toutes les baignoires sont testées en usine avant d'être expédiées pour assurer leur fonctionnement adéquat et l'étanchéité des connexions. Cependant, l'unité doit être testée à nouveau par l'installateur avant l'installation. Jacuzzi Luxury Bath n'est pas responsable des défauts qui auraient pu être découverts, réparés ou évités grâce à cette inspection et procédure d'essai :

- 1 Placez la baignoire sur une surface de niveau, près d'une arrivée d'eau appropriée et d'une évacuation d'eau. Une voie d'accès pour autos est, par exemple, un endroit adapté.
- 2 Scellez le trou d'évacuation et de trop-plein avec du ruban ou un bouchon et remplissez la baignoire jusqu'à la partie inférieure du trou de trop-plein.
- 3 Ne touchez plus à la baignoire pendant 5 minutes.
- 4 Examinez tous les joints pour vous assurer qu'ils ne fuient pas. N'installez pas la baignoire si vous découvrez des fuites.
- 5 Remettez la baignoire dans la boîte ou protégez-la des dommages jusqu'au moment de l'installation.

### Sous-plancher

Préparez le sous-plancher pour l'évacuation et assurez-vous que la zone est nivelée.

- 1 Le système d'évacuation/de trop-plein de la baignoire se prolonge sous le fond de la baignoire. Dans la section consacrée aux spécifications techniques, identifiez le schéma qui correspond à votre baignoire (disponible sur [www.jacuzzi.com](http://www.jacuzzi.com)).
- 2 Déterminez l'emplacement du bassin. Le plancher doit être plat et de niveau.
- 3 Effectuez les coupes appropriées dans le sous-plancher pour accommoder le système d'évacuation.



Veillez vous reporter aux schémas de la rubrique « Spécifications techniques » correspondant à votre baignoire.

### Installation d'un robinet monté sur plateforme

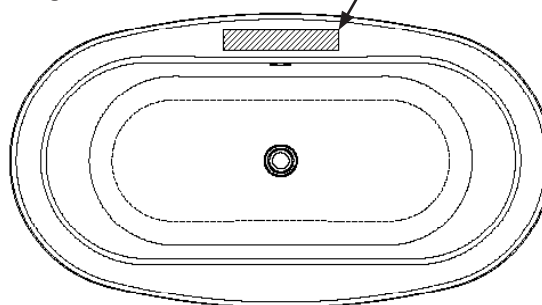
Les éléments du robinet doivent être installés à l'emplacement recommandé (Fig. 1). Veuillez vous reporter aux Spécifications techniques correspondant au modèle de votre baignoire pour les emplacements recommandés pour le robinet. Ce ne sont pas tous les modèles de baignoire qui sont compatibles avec l'installation d'un robinet monté sur plateforme. Avant de percer, positionner les éléments du robinet pour s'assurer qu'ils n'interfèrent pas avec d'autres composants comme le trop-plein, la plomberie ou les robinets d'alimentation. Certains modèles de baignoire sans trop-plein intégré peuvent nécessiter la trousse de trop-plein à profil bas (MU66000) pour l'installation d'un robinet centré. Cette trousse est incluse avec les modèles de baignoire qui en ont besoin.

Les éléments du robinet doivent être fixés à des tuyaux tressés en acier inoxydable de ½ po d'une longueur de 914 mm (36 po), de manière à pouvoir soulever la baignoire au besoin.

Appliquez du ruban-cache au côté fini de la plateforme de la baignoire avant de percer afin d'empêcher l'écaillage. Suivez les directives d'installation fournies par le fabricant du robinet, marquez les emplacements des éléments du robinet sur la plateforme, puis percez les trous directement sur le côté fini.

Emplacement recommandé pour le robinet (Veuillez vous reporter aux Spécifications techniques correspondant au modèle de votre baignoire)

Fig. 1

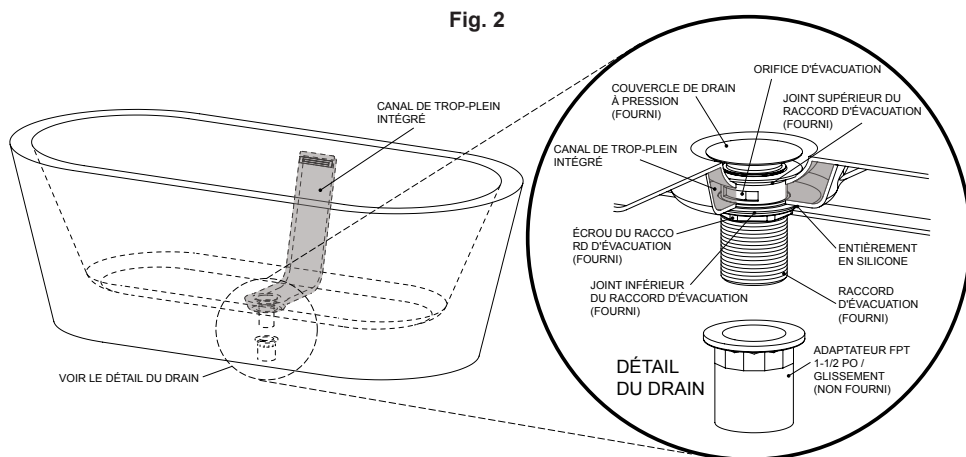


**MISE EN GARDE**

Si le robinet est installé du même côté que le trop-plein, assurez-vous qu'il n'y a aucune interférence entre les deux avant de procéder au perçage.

## Consignes d'installation : baignoire avec trop-plein intégré

- 1 Installez le raccord d'évacuation/ de purge en métal (fourni avec la baignoire) dans l'orifice d'évacuation, conformément au schéma (fig. 2). Veillez à ce que l'orifice d'évacuation, au niveau du raccord de purge, soit inséré dans le canal de trop-plein intégré (fig. 2).
- 2 Utilisez du silicone transparent pour coller le joint inférieur sous le canal d'évacuation intégré.
- 3 Fixez le raccord d'évacuation à l'aide de l'écrou fourni. Appliquez du scellant pour filetage sur les filets avant d'insérer l'écrou. Ne serrez pas excessivement l'écrou au risque d'endommager la coque. Après avoir serré l'écrou, vérifiez que l'orifice d'évacuation du raccord n'est pas exposé.
- 4 Installez l'adaptateur pour tuyau fileté (non fourni) sur le raccord d'évacuation en métal. Cela permet de créer une connexion PVC pour le raccord d'évacuation en PVC, en dehors du plancher. Avec de l'eau, vérifiez que le raccord ne présente pas de signe de fuite avant de procéder à l'installation. REMARQUE : utilisez du ciment pour PVC conforme à la norme ASTM D2564 sur tous les joints en PVC.



## Consignes d'installation : baignoire 1 pièce

- 1 Posez la baignoire à l'endroit souhaité et positionnez-la de manière précise par rapport à l'emplacement du système d'évacuation/de trop-plein. Vérifiez la position de l'indentation de l'évacuation par rapport à l'évacuation/trop-plein. Utilisez un marqueur pour tracer le périmètre complet de la baignoire à même le sol (fig. 3).
- 2 Marquez un creux pour l'emplacement du système d'évacuation/ trop-plein, sur le sol. L'évacuation/le trop-plein se prolonge sous le fond de la baignoire. Une débouchure doit être réalisée dans le plancher pour le système d'évacuation/de trop-plein, pour prévoir l'espace requis pour accommoder l'extension. Ne dépassez pas les dimensions du périmètre de la baignoire. Lorsque les emplacements ci-dessus sont marqués sur le sol, retirez la baignoire, mettez-la de côté et continuez le processus d'installation.
- 3 Préparez le creux du système d'évacuation/de trop-plein conformément aux dimensions indiquées dans la section Spécifications techniques. La profondeur du creux dépend de l'extension verticale du coude d'évacuation en bas du système de plomberie, sous le plancher. Installez l'évacuation/le trop-plein conformément aux directives du fabricant. Reportez-vous aussi à la section Spécifications techniques.



L'installateur est responsable de l'étanchéité du système d'évacuation. Toute fuite au niveau de l'évacuation est exclue de la garantie Jacuzzi Luxury Bath de ce produit.



Avant de fixer la baignoire au sol, vous devez effectuer les étapes suivantes : placez la baignoire au sol en prenant en compte la position du dispositif d'évacuation/de trop-plein. Placez la baignoire sur le sol et alignez-la avec les marques déjà effectuées sur le plancher.



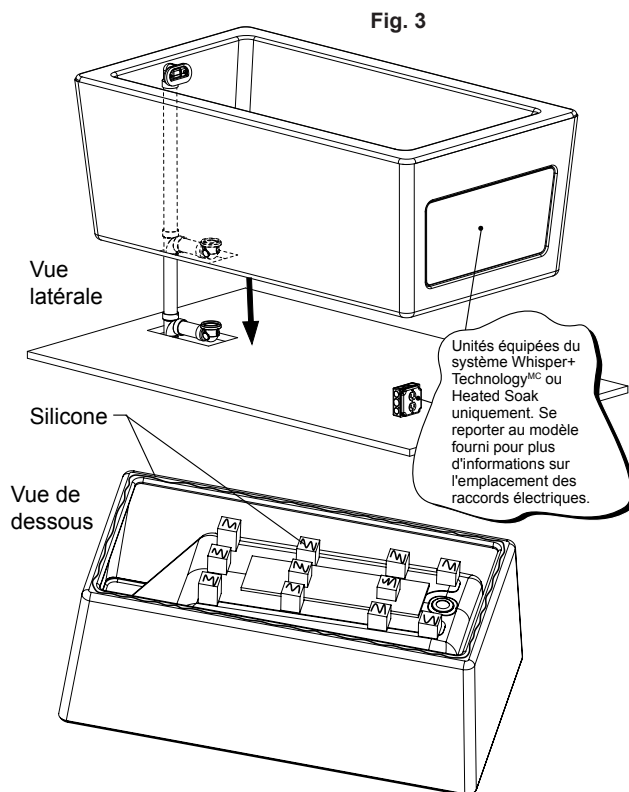
Il est possible d'utiliser une robinetterie installée au sol ou au mur à l'extérieur de la baignoire. Ces éléments peuvent être fixés une fois la baignoire installée au sol.



Nettoyez les débris causés par la procédure de construction. Éliminez les repères et marquages au sol. Utilisez du silicone pour fixer la baignoire au sous-plancher. Assurez-vous que la baignoire est bien orientée par rapport à l'extrémité du système d'évacuation/de trop-plein.

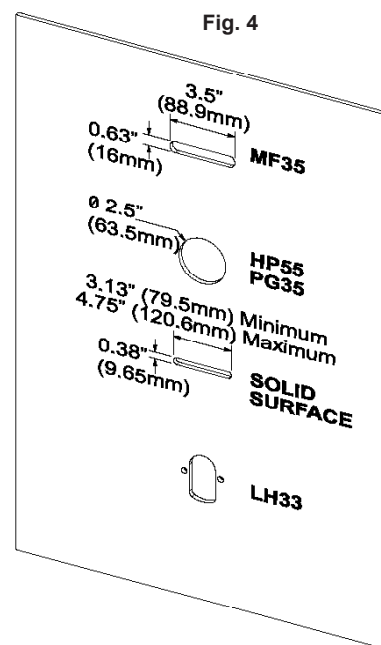


Appliquez une couche de scellant au silicone autour du fond de la baignoire. Placez soigneusement la baignoire sur le sol au bon endroit et appuyez. Placez des poids autour du périmètre et laissez l'adhésif sécher avant de continuer.



## Orifices d'évacuation du trop-plein

Débouchure (Fig. 4)	Numéro de pièce du drain
Drain linéaire	MF35XXX
Drain rotatif	HP55XXX
Collection Avvio	Intégré
Drain pour immersion profonde	LH33XXX
Drain plein	PG35XXX



## Consignes d'installation : baignoire 2 pièces

**1** Posez la baignoire 2 pièces et placez-la précisément par rapport à l'emplacement de l'évacuation/trop-plein. Vérifiez la position de l'indentation de l'évacuation par rapport à l'évacuation/trop-plein. Utilisez un marqueur pour tracer le périmètre complet de la baignoire à même le sol (fig. 5).

**2** Marquez un creux pour l'emplacement du système d'évacuation/trop-plein, sur le sol. L'évacuation du trop-plein se prolonge sous le fond de la baignoire. Une débouchure doit être réalisée dans le plancher pour le système d'évacuation/de trop-plein, pour prévoir l'espace requis pour accommoder la rallonge. Ne dépassez pas les dimensions du périmètre de la baignoire.

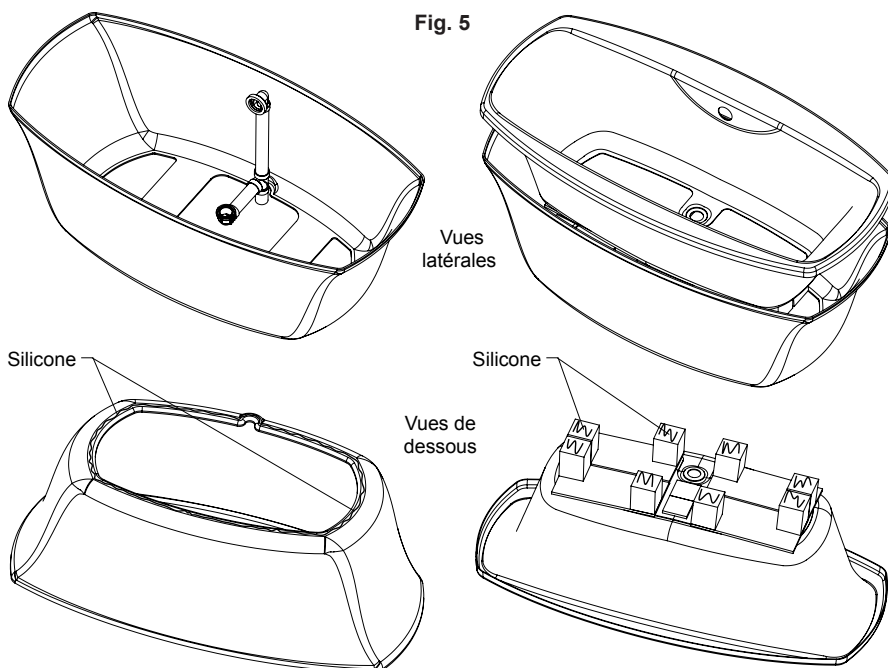
**3** Lorsque les emplacements ci-dessus sont marqués sur le sol, retirez la base de la baignoire (la jupe), mettez-la de côté et continuez le processus d'installation.

**4** La robinetterie n'est pas fournie avec la baignoire en ilot. Pour utiliser une robinetterie montée sur le bac, vous devez utiliser des conduites de connexion flexibles de 183 cm (72 po) de longueur. Ces conduites doivent être installées avant l'installation de la baignoire dans la jupe.

**5** Si vous installez le robinet sur le même côté que le trop-plein, assurez-vous qu'il n'existe aucune interférence entre ces deux éléments avant de commencer à percer.

**6** Utilisez du silicone pour fixer la jupe de la baignoire au sous-plancher. Assurez-vous que la baignoire est bien orientée par rapport à l'extrémité du système d'évacuation/de trop-plein. Placez la jupe de la baignoire en prenant en compte la position de l'évacuation/trop-plein. Placez la jupe de la baignoire sur le sol et alignez-la avec les marques déjà effectuées sur le plancher.

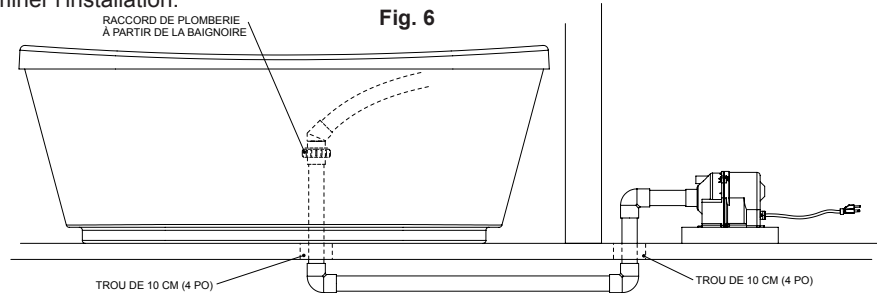
**7** Appliquez du silicone sur les pieds en mousse ou sous les pieds réglables. Avec précaution, placez la baignoire dans la jupe, en prenant garde à l'emplacement du système d'évacuation/trop-plein. Laissez le silicone sécher pendant 24 heures avant d'entrer dans la baignoire et/ou de l'utiliser.



## Consignes d'installation : souffleur à distance

Pour faciliter l'installation des raccords de conduite d'air et du souffleur à distance, il est recommandé de prévoir un accès à la partie inférieure de la baignoire, sur ou sous le sous-plancher.

- 1 Déterminez les emplacements du souffleur et vérifiez que les raccords de conduites d'air et du souffleur sont accessibles une fois la baignoire installée. Le souffleur doit se trouver à moins de 3 m (10 pi) de la baignoire et ne doit pas inclure plus de trois coudes, comme l'illustre le schéma (fig. 6).
- 2 Utilisez un tuyau en PVC de calibre 40 de 1-1/2 po pour raccorder la baignoire au souffleur. Le tuyau connecté directement au souffleur doit être fixé à l'aide d'une vis en acier inoxydable. Ne collez pas le souffleur au raccord en PVC.
- 3 Le câble de contrôle fourni avec la baignoire mesure 7,6 m (25 pi) de long. N'enroulez pas le câble autour du tuyau qui relie le souffleur à la baignoire.
- 4 Après avoir connecté les raccords de conduite d'air et le câble de contrôle au souffleur, branchez le souffleur dans la prise et vérifiez son bon fonctionnement avant de terminer l'installation.



## Consignes d'installation : baignoire 2 pièces équipée du système Whisper+ Technology<sup>MC</sup> ou Heated Soak

- 1 Après avoir localisé les conduites d'alimentation en eau, du système électrique et du kit d'alignement du drain par rapport au modèle fourni (ModenaMC uniquement), tracez à l'aide d'un marqueur l'empreinte intérieure de la jupe à l'endroit où la baignoire sera installée. Appliquez du silicone uniquement sous la jupe et replacez-la à l'endroit marqué (fig. 7).
- 2 Installez le kit d'évacuation du trop-plein sur la baignoire, à l'aide du raccord en laiton fourni dans le kit d'alignement du drain (ModenaMC uniquement). Veillez à appliquer la graisse fournie sur l'extrémité du raccord, là où il est relié avec le kit d'alignement du drain (fig. 9).
- 3 Placez (2) supports en bois de 1,2 m (4 pieds) de long de 5 x 10 cm (2 x 4 po) en travers de la partie supérieure de la jupe. Placez les supports en bois uniformément sur la jupe comme sur le schéma (fig. 8). Ils servent de support à la baignoire pendant la procédure de raccord des conduites d'alimentation d'eau et du système électrique.
- 4 Placez la baignoire sur les supports dans la position dans laquelle elle sera abaissée dans la jupe (fig. 9). Les supports en bois doivent être placés sous la baignoire, loin des blocs en mousse ou des supports réglables. Orientez la baignoire correctement par rapport à l'évacuation et à la sortie électrique. Veillez également à aligner l'évacuation et le trop-plein avec le kit d'alignement du drain.
- 5 Raccordez les flexibles d'alimentation en eau aux robinets, si vous installez un robinet monté sur bac. Assurez-vous que les soupapes sont fermées. Ouvrez l'alimentation en eau et vérifiez qu'il n'y a pas de fuites au niveau des connexions.
- 6 Branchez la prise électrique sur la prise dédiée, protégée par le disjoncteur GFCI.

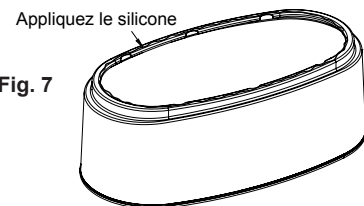


Fig. 7

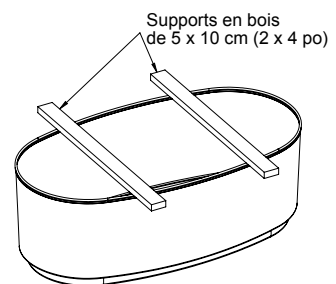


Fig. 8

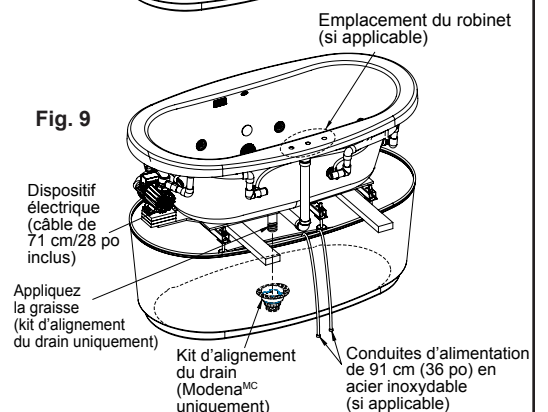


Fig. 9

## Installation de la baignoire dans la jupe

- 1 Abaissez la baignoire pour la mettre en place. Cette procédure doit être effectuée par trois personnes (une personne à chaque extrémité de la baignoire pour la soulever, et la troisième personne pour retirer les deux supports en bois placés sur la jupe).



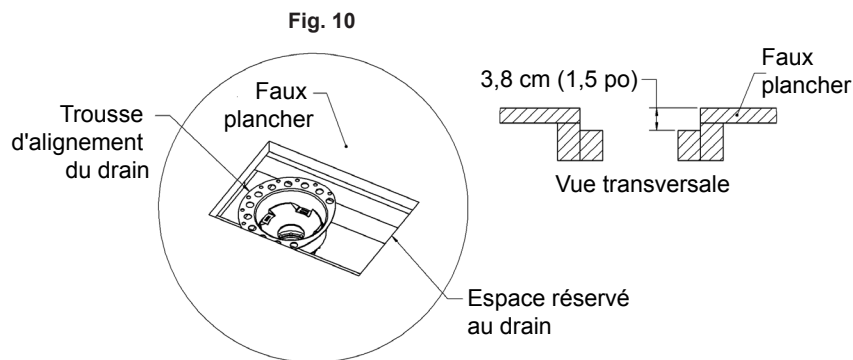
Veillez à ne pas endommager les raccords en laiton lorsque vous abaissez la baignoire dans la jupe (ModenaMC uniquement).

- 2 Mettez sous tension les circuits spécialisés protégés par un disjoncteur GFCI et vérifiez le bon fonctionnement du système.

## Directives d'installation du drain du bain tourbillon Bianca

## Préparez le sol pour l'installation du bain tourbillon Bianca

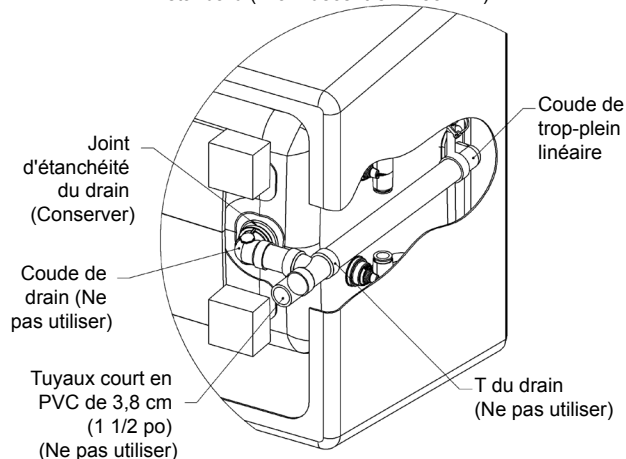
- 1 En suivant l'exemple fourni, marquez l'emplacement où la baignoire sera installée. Marquez ensuite l'espace réservé au drain illustré dans l'exemple.
- 2 Découpez l'espace réservé au drain et renforcez l'espace réservé au drain d'au moins 3,8 cm (1 1/2 po) sous le faux plancher (Fig. 10).
- 3 Installez la trousse d'alignement du drain dans l'espace réservé au drain.



## Convertissez le drain de trop-plein linéaire (MF35) au drain direct

- 1 Déballiez la trousse du drain de trop-plein linéaire (MF35) et mettez-de côté les articles suivants : Coude du drain, T du drain et court morceau de tuyau en PVC de 3,8 cm (1 1/2 po). Ces articles ne seront pas nécessaires pour la conversion (Fig. 11).
- 2 Localisez l'adaptateur en PVC, l'about de laiton et l'écrou de la trousse d'alignement du drain fournie avec la baignoire. Ces articles seront utilisés pour la conversion.
- 3 Coupez l'about de laiton d'une longueur de 7 cm (2 3/4 po). Ébarbez et roulez l'extrémité coupée avec un appareil à mandriner. Installez les composants à l'about de laiton comme illustré (Fig. 12).
- 4 Installez le drain de trop-plein linéaire aux articles de la trousse de drain direct fournie avec la baignoire comme illustré (Fig. 13). Assurez-vous d'utiliser le joint d'étanchéité du drain fourni avec la trousse du drain de trop-plein linéaire.
- 5 Collez l'assemblage de l'about de laiton au drain direct comme illustré (Fig. 13).

Fig. 11  
Installation du drain de trop-plein linéaire standard (Drain décentré MF35XXX)



## Après l'installation du plancher fini

- 1 Appliquez du silicone sur la bride de la jupe de la baignoire. Appliquez de la graisse sur l'about de laiton.
- 2 Abaissez doucement la baignoire dans la position souhaitée. Prenez soin de ne pas endommager l'about de laiton.

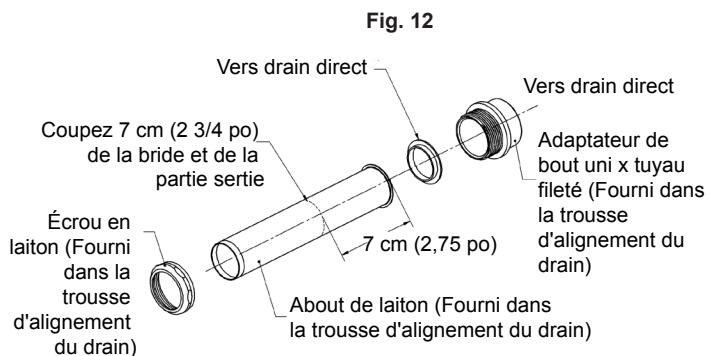
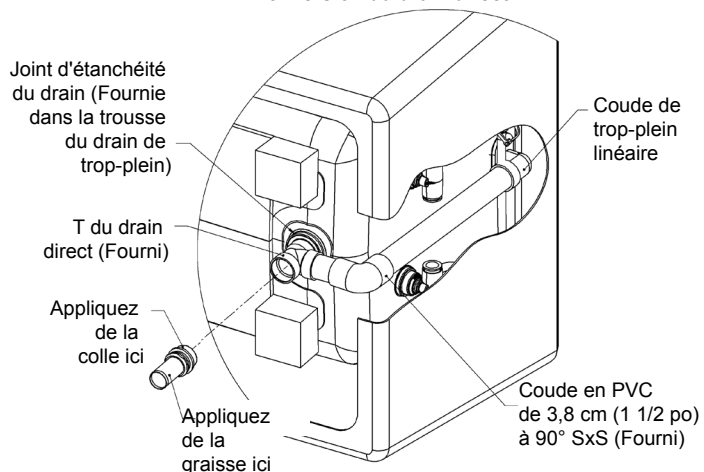


Fig. 13  
Conversion du drain direct





## Entretien de la baignoire en acrylique

### Nettoyage de la baignoire

Pour nettoyer votre baignoire, utilisez une solution de détergent liquide doux non abrasif Meguiar's. Vous pouvez protéger et restaurer l'éclat d'une surface acrylique terne en appliquant du Meguiar's #10 Mirror Glaze, un produit spécifiquement conçu pour être utilisé sur les finis en acrylique.



N'utilisez jamais de nettoyeurs domestiques abrasifs sur un produit Jacuzzi Luxury Bath.

### Réparation de la surface

Les rayures mineures qui ne pénètrent pas le fini en couleur peuvent être éliminées en ponçant légèrement avec un papier de verre mouillé/sec de grain n° 600. Restaurez l'éclat de votre produit avec Meguiar's Mirror Glaze. Les rayures et les stries profondes qui pénètrent la surface acrylique doivent être finies à nouveau. Communiquez avec Jacuzzi Luxury Bath pour trouver un agent de service dans votre région.

### Consignes de nettoyage et d'entretien des surfaces solides

Les baignoires en surface solide de Jacuzzi Luxury Bath sont fabriquées à partir de matériaux durables et non poreux qui, lorsqu'ils sont correctement entretenus et nettoyés, résistent très efficacement à l'accumulation de saleté et aux tâches. Solide et esthétique, le mélange unique de matériaux naturels et synthétiques peut contenir de légères variations dans la couleur ou la texture de la baignoire. Cela est tout à fait normal et est dû à la fabrication artisanale du produit. Ces baignoires ont été conçues pour résister aux taches causées par une utilisation normale dans la salle de bains. Les dommages provoqués par une utilisation inadaptée peuvent annuler la garantie. Veuillez utiliser et entretenir la baignoire conformément aux consignes d'utilisation et d'entretien décrites dans ce manuel. Dans le cas où la baignoire a été endommagée par inadvertance, comme pour une petite griffe sur la surface par exemple, un professionnel qualifié pourra restaurer le fini lustré en polissant légèrement l'imperfection. Veuillez contacter Jacuzzi Luxury Bath pour être mis en relation avec un professionnel recommandé.

Afin d'entretenir correctement votre produit, veuillez suivre ces étapes simples :

1. Commencez par nettoyer avec un produit vaisselle doux et de l'eau chaude et essuyez avec un chiffon doux légèrement humide.
2. Pour les taches plus tenaces comme de la graisse, de l'huile, de la peinture ou de l'encre, appliquez de l'alcool à friction. Essuyez avec un chiffon propre et sec.
3. N'utilisez pas d'agents nettoyants abrasifs, de solvants, de produits chimiques nocifs ou de produits détachants à la chaux. Ils peuvent endommager le fini et annuler la garantie.
4. N'utilisez pas de chiffons ou d'éponges à récurer.
5. N'utilisez pas de lames de rasoir ou tout autre objet aiguisé qui pourrait abîmer la surface.
6. N'utilisez pas de produits pour le bain du marché secondaire contenant du colorant.
7. Si vous ne savez pas si un produit convient à votre baignoire, commencez par appliquer une très petite quantité du produit sur une partie peu visible de la baignoire avant de l'utiliser sur une surface visible.

#### **Pour les modèles Matte Finish (respecter ces consignes supplémentaires)**

Pour les taches les plus tenaces, Jacuzzi Luxury Bath recommande l'utilisation des produits et du matériel de nettoyage suivants : Mr. Clean Magic Eraser, Soft Scrub, Bon Ami ou Gray Scotch Brite Pads (NE PAS utiliser Green Scotch Brite Pads).

#### **Pour les modèles Gloss Finish (respecter ces consignes supplémentaires)**

Il est conseillé d'utiliser un produit nettoyant pour les plans de travail en granite et brillants comme complément de nettoyage et de polissage. Jacuzzi Luxury Bath recommande l'utilisation des produits et du matériel de nettoyage suivants : Counter Magic. *Remarque : ne polissez pas le fond de la baignoire, car cela pourrait rendre la surface glissante et dangereuse.*

Remarques :

Français



Jacuzzi Luxury Bath  
14525 Monte Vista Avenue  
Chino, California 91710



## FICHE D'ENREGISTREMENT DE GARANTIE

Pour terminer l'enregistrement de votre produit, visitez notre site Web [www.jacuzzi.com](http://www.jacuzzi.com) ou remplissez cette fiche et envoyez-la à l'adresse indiquée au verso, et ce, dans un délai de trente (30) jours à compter de la date d'achat afin d'assurer la mise en application de cette garantie.



Nom de l'acheteur \_\_\_\_\_

Adresse de l'acheteur \_\_\_\_\_

Ville \_\_\_\_\_ Province \_\_\_\_\_ Code postal \_\_\_\_\_

Numéro de téléphone du domicile : \_\_\_\_\_ Numéro de téléphone cellulaire : \_\_\_\_\_

Courriel : \_\_\_\_\_

Date d'achat \_\_\_\_\_

Nom du modèle \_\_\_\_\_

Numéro de série \_\_\_\_\_

Nom du revendeur \_\_\_\_\_

Adresse du revendeur \_\_\_\_\_

1. Comment avez-vous entendu parler de ce produit Jacuzzi<sup>MD</sup>?
  - Publicité  Article dans un magazine/journal
  - Visite d'un revendeur/fournisseur d'articles de plomberie  Pages jaunes
  - Constructeur/plombier/rénovateur  Décorateur/architecte
  - Visite chez un détaillant/magasin Home Center
  - Bouche-à-oreille. . . Ami/parent/connaissance
  - Autre (veuillez préciser) \_\_\_\_\_
2. Qui est la première personne vous ayant donné des renseignements précis au sujet de ce produit (spécifications, prix, etc.)?
  - Revendeur/fournisseur d'articles de plomberie  Constructeur  Rénovateur
  - Entrepreneur en plomberie  Détaillant/magasin Home Center
  - Décorateur/architecte  Déjà installé
3. Quelle est la raison principale ayant motivé votre achat?
  - Style  Service de garantie  Caractéristiques du produit
  - Nom de la marque  Prix  Hydrothérapie
  - Revente de la résidence \_\_\_\_\_
  - Autre \_\_\_\_\_
4. Qui a pris la décision finale quant au produit acheté?
  - Vous  Votre conjoint(e)  Vous et votre conjoint(e) mutuellement
  - Un autre membre de la famille  Designer/architecte
  - Constructeur/plombier/rénovateur  Déjà installé
5. Qui l'a installé?
  - Déjà installé/maison neuve
  - Entrepreneur/plombier lors de la rénovation
  - Vous/votre conjoint(e) lors de la rénovation
  - Autre \_\_\_\_\_
6. Quelle est la valeur actuelle sur le marché de ce bien?  
Veuillez fournir une estimation en dollars \$ \_\_\_\_\_
7. Quel est l'âge du responsable du foyer? ans \_\_\_\_\_
8. Quel autre fabricant avez-vous considéré?
  - Eljer  Lasco  Price Pfister  Aqua Glass
  - Kohler  American Standard  Sterling
  - Autre (préciser) \_\_\_\_\_
9. Combien de temps a duré le processus de recherche avant l'achat de cette unité?
  - 1 jour  2 à 6 mois
  - 2 à 7 jours  6 mois à 1 an
  - 1 à 2 semaines  1 à 2 ans
  - 2 à 4 semaines  Plus de 2 ans
  - 1 à 2 mois
10. Depuis combien de temps approximativement habitez-vous dans cette résidence \_\_\_\_\_?
11. Veuillez indiquer, approximativement, le revenu annuel total de votre ménage.
  - Jusqu'à 24 999 \$  50 000 à 74 999 \$
  - 25 000 à 29 999 \$  75 000 à 99 999 \$
  - 30 000 à 39 999 \$  100 000 à 149 999 \$
  - 40 000 à 49 999 \$  150 000 \$ et plus
12. Comment qualifieriez-vous votre processus d'achat?
  - Très facile  Facile  Difficile  Très difficile
13. Connaissiez-vous le système de jets breveté de JacuzziMD avant votre achat?
  - Non, je ne le connaissais pas  Je le connaissais un peu  Je le connaissais très bien

Garantie limitée  
 sur les accessoires  
 Pièces uniquement  
 90 jours