

**Bianca® Technical Specifications for Heated Soak**

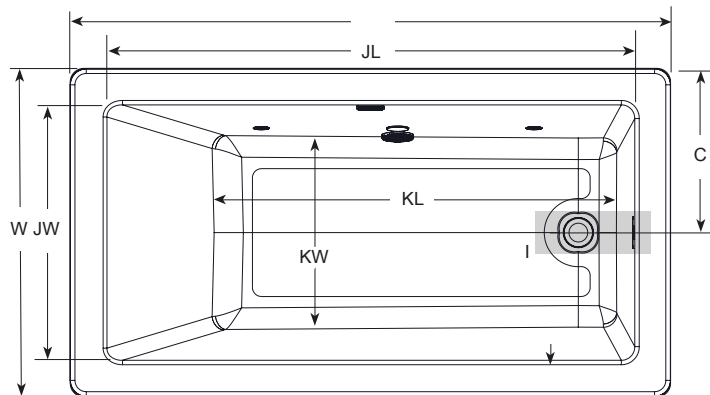
Letter	Description	6636
-	Drain Location	Universal
-	Pump Location	Universal
-	Cutout Template	Template Provided P/N PL07000
-	Drop-in Cutout Dimensions (L x W)	N/A
-	Total Weight	1133 lbs (513.9 kg)
-	Floor Loading	68 lb/ft <sup>2</sup> (331 kg/m <sup>2</sup> )
-	Product Weight - Empty	140 lbs (63.5 kg)
-	Operating Gallons (Max)	89 gal (337 Liters)
-	Soaking Depth	18.5" (470 mm)
L	Outer Length	66" (1676 mm)
W	Outer Width	36" (914 mm)
H	Overall Height	24" (610 mm)
A	Overflow Height	21" (533 mm)
B	Long Edge to Drain Center	10.5" (267 mm)
C	Short Edge to Drain Center	18" (457 mm)
D	Drain Shoe Length	6.5" (165 mm)
E	Flange Height	N/A
F	Deck Width*	4" (102 mm)
G	Service Access Dimensions GW x GL	26" x 12.5" (660 mm x 317.5 mm)
I	Floor Cutout for Drain	12" x 6" (305 mm x 152 mm)
J	Interior Dimensions (top of bath) JW x JL	20.9" x 44.7" (531 mm x 1135 mm)
K	Interior Dimensions (bottom of bath) KW x KL	28.15" x 58.13" (715 mm x 1477 mm)
L2	Interior Depth- Drain End	21.4" (544 mm)
M	Backrest Angle	32°

Each component requires a separate, dedicated GFCI protected circuit

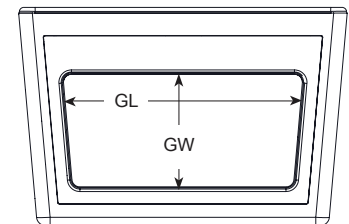
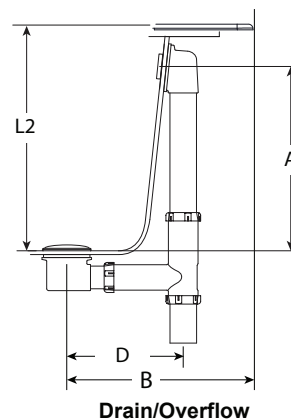
Model with components		GFCI Outlet (60Hz)
Heated Soak	Motor/Heater	120V/15A
	Motor/Heater w/ Chromotherapy	120V/15A

**KEY DIMENSIONS\* [NOTE: The overall dimensions are nominal with a tolerance of +0 and -.25" (6mm).]**

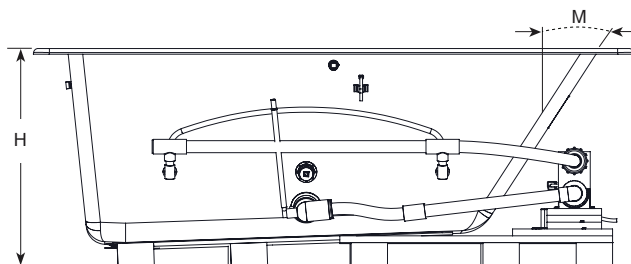
\*Right hand model shown. Left hand model is exact opposite.



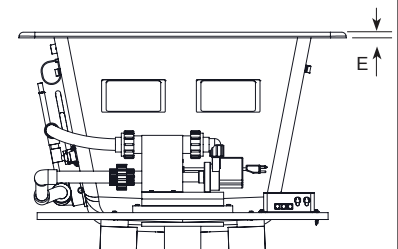
\*Deck width reflects only area indicated on detail.



Access End View



Side View



End View

Refer to installation instructions included with fixture before beginning installation. Please confirm product availability and specifications before commencing with any installation work.

PRODUCT SPECIFICATIONS AND AVAILABILITY ARE SUBJECT TO CHANGE WITHOUT NOTICE