



Jacuzzi® Item # NW50827 (CP) / NW50826 (BN) / NW50845 (ORB)
NW50817 (MB) / NW50818 (BB)

ITEM / ARTICLE / ARTÍCULO # 0577330 (CP)

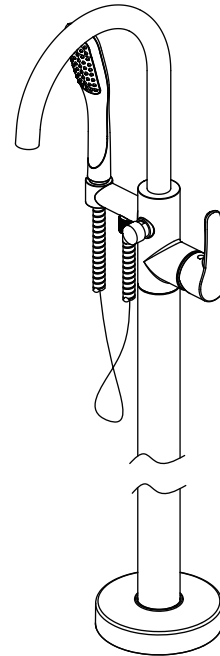
TUB FILLER FAUCET

MODEL # 67662-X5101 / 67662-X5104 / 67662-X5127H2
67662-X517001 / 67662-X518204

Questions, problems, missing parts? Before returning to your retailer, call our customer service department at 1-800-288-4002, 6 a.m. - 5 p.m., PT and 9 a.m. - 8 p.m., ET, Monday - Friday

ATTACH YOUR RECEIPT HERE

Purchase Date _____



SAFETY INFORMATION

Please read and understand this entire manual before attempting to assemble, operate, or install the product.

WARNING:

- Follow the installation instructions carefully. Proper installation is the installer's responsibility.
- Failure to follow correct installation procedures can result in the faucet being loose, which can result in serious injury.
- Not suitable for installation in concrete floors.

CAUTION:

- Check local building codes before beginning installation to ensure compliance.

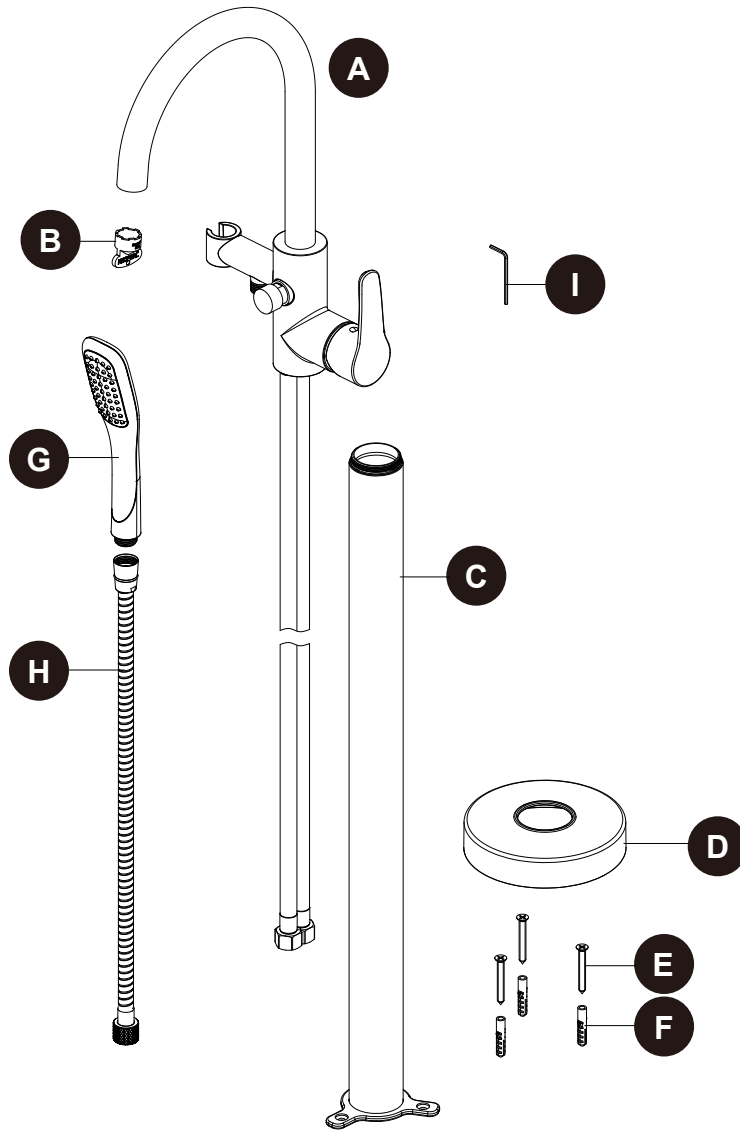
PREPARATION

Before beginning the assembly of this product, make sure all parts are present. Compare parts with the package contents and hardware contents list. If any part is missing or damaged, do not attempt to assemble the product.

Estimated Assembly Time: 90 minutes (including removal of old faucet)

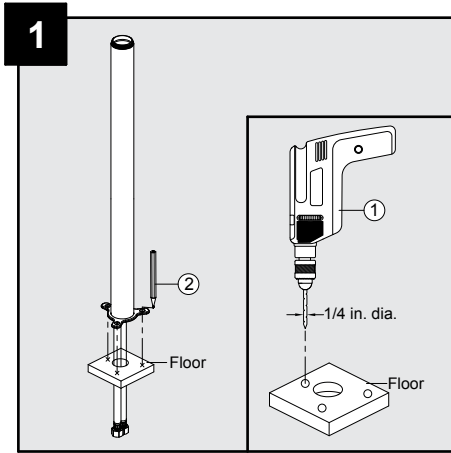
Tools Required for Assembly (not included): Adjustable Wrench, Silicone Sealant, Phillips Screwdriver, Pencil, Electric Drill

PACKAGE CONTENTS

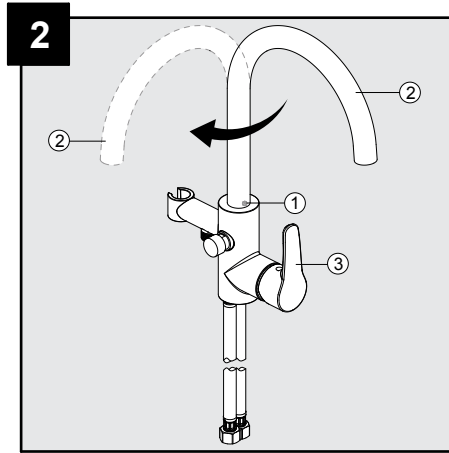


PART	DESCRIPTION	QUANTITY
A	Faucet	1
B	Plastic Wrench	1
C	Standpipe	1
D	Escutcheon	1
E	Screw (ST6.3x1.8)	3
F	Anchor	3
G	Hand Shower	1
H	Shower Hose	1
I	2.5mm Hex Wrench	1

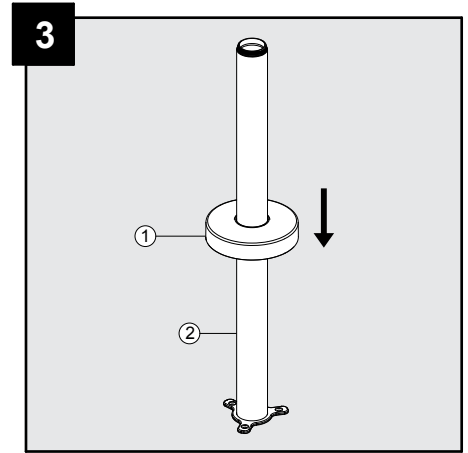
ASSEMBLY INSTRUCTIONS



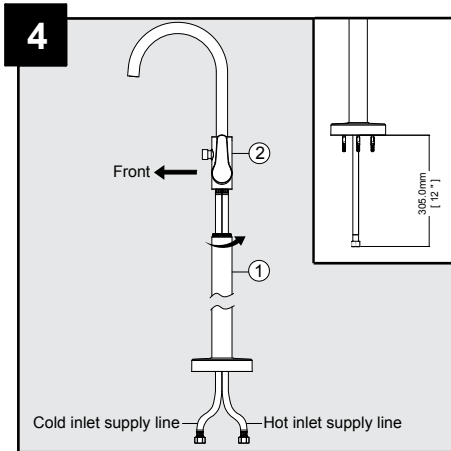
Drill a hole 2 1/4 in. diameter min. - 2 9/16 in. diameter max. in the floor with an electric drill (1). Mark the locations for the screws with a pencil (2). Then drill three holes 1/4 in. diameter for the screws in the floor with an electric drill (1).



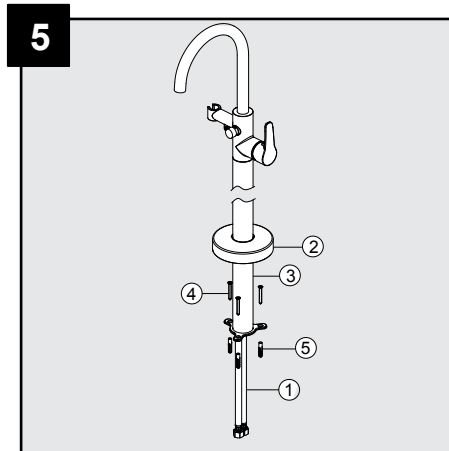
Loosen the set screw (1) pre-assembled to the spout (2), rotate the spout (2) about 90° to align handle (3), then tighten the screw.



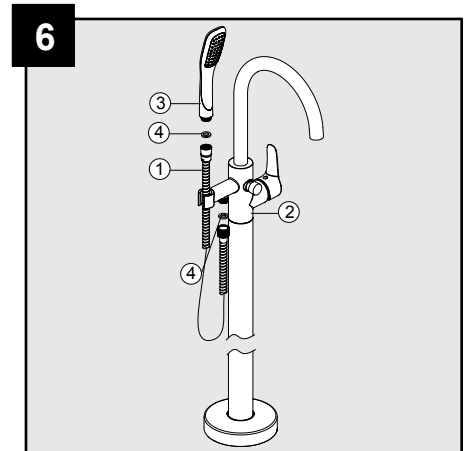
Place the escutcheon (1) over the standpipe (2) and then push it to the base.



Screw the standpipe (1) onto the mixer (2) by hand. Turn in a clockwise direction until it is tight.
 Note 1: Do not to reverse the cold and hot supply lines.
 Note 2: After installing the standpipe (1), the inlet supply lines will be exposed 12 in. below the standpipe. Please pay attention to set aside enough space to connect the water supply lines and prevent the water inlet supply lines from twisting.

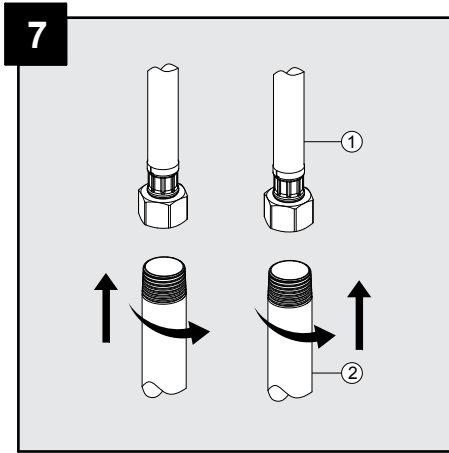


Place the assembly with the flexible supply lines (1) through the prepared hole. Then holding the escutcheon (2), secure the standpipe (3).
 Note: If mounting into wooden floor, secure the standpipe (3) using screws (4) only (wall plugs are not needed). If mounting into solid floor, mark the position of holes first and then secure the standpipe (3) using anchors (5) and screws (4). Where required ensure correct anchors for your floor type are used.

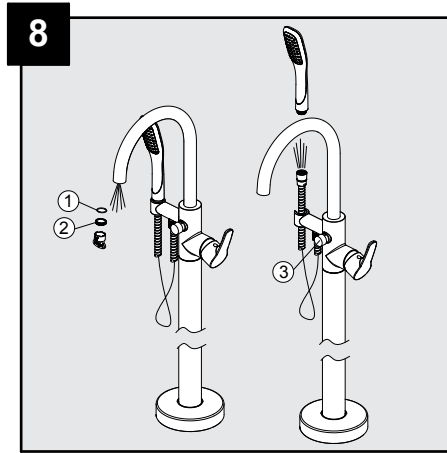


Connect one end of the shower hose (1) to the mixer (2) and the other end to the hand shower (3). Ensure the washer (4) is in each end for seal.

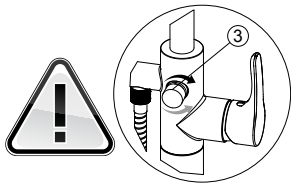
ASSEMBLY INSTRUCTIONS



Connect the flexible supply lines (1) to the water supplies (2).



Flushing debris and checking for water leaks:
Important: After installation is complete, remove the aerator (2) with the plastic wrench to flush debris from the water lines. Do not lose the o-ring(1) in the aerator(2). Turn on the water supply and allow both hot and cold water to run for at least one minute each. Remove hand shower and push the diverter pin button (3) to the bottom position. This will divert water to the hand shower. Run for at least one minute. This flushes away any debris that could cause damage or blockage to internal parts. Check for water leaks. After flushing, completely shut off water, and reinstall the aerator (2). The diverter pin button (3) should auto-reset back into the outward position. Retighten any water/hose connections if necessary, but be careful to not overtighten to prevent damage.



Diverter Instructions : To divert water from the faucet spout to the hand shower, push in the diverter pin (3) to the bottom position. To divert water back to faucet spout, turn the water completely off, and then on again. The diverter pin (3) will auto-reset back into the outward position. If the diverter pin (3) does not auto-reset back into the outward position, then gently rotate the diverter pin (3) button left or right while the water is shut off, and it should easily reset back to the outward position.

CAUTION: While water is running through the hand shower, the diverter will not pull outward to reset to the faucet spout unless the water is shut off and turned on again. **DO NOT FORCIBLY PULL THE DIVERTER PIN (3) OUTWARD WHILE WATER IS RUNNING.** This can cause damage to the diverter pin (3) assembly.

CARE AND MAINTENANCE

- Clean periodically with a soft cloth. Avoid abrasive cleaners, steel wool, and harsh chemicals as these will dull the finish and void your warranty.

TROUBLESHOOTING

PROBLEM	POSSIBLE CAUSE	CORRECTIVE ACTION
There is a leak from under the handle or there is a leak from aerator when the faucet is off.	The cartridge is damaged.	Remove the handle and replace the cartridge.
There is a leak from aerator when the faucet is on.	The aerator does not fit correctly on the faucet.	1. Remove and reinstall the aerator. 2. Call customer service for a new aerator and replace it after you receive the new aerator assembly.
The aerator has an irregular or reduced water flow.	The aerator is dirty.	Remove the aerator and clear the debris.
Hand shower leaks or has a low flow pattern.	Hand shower is dirty or damaged.	Remove the hand shower and check for any debris clogged at the shower connection, check the hand shower's spray nozzle for any build up or debris.

WARRANTY

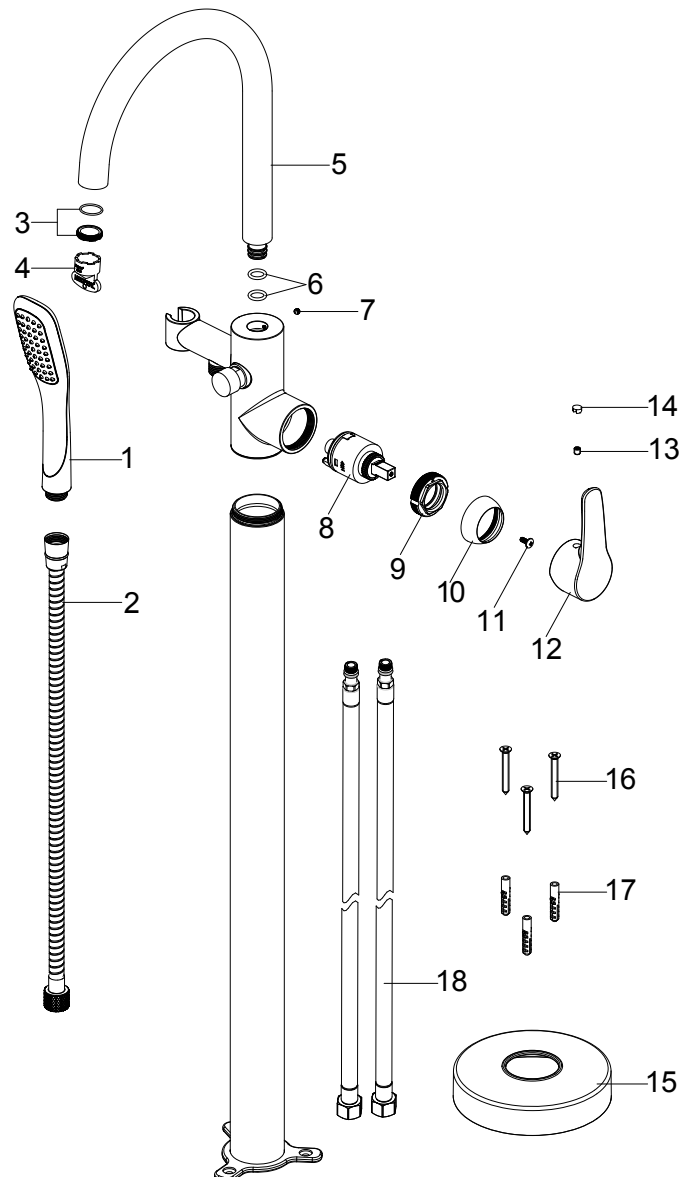
The manufacturer warrants this faucet to be free from defects in workmanship and material present at time of shipment from the factory for a limited lifetime from the date of purchase. This warranty applies only to the original purchaser. The manufacturer agrees to correct such defects at no charge or, at our option, replace the faucet with a comparable or superior model. To obtain warranty service, call our customer service department at 1-800-288-4002 for return authorization and shipping instructions. You may be required to present a copy of your sales receipt as proof of purchase. All cost of removal and reinstallation are the expressed responsibility of the purchaser. Any damage to the faucet by accident, misuse or improper installation, or by affixing accessories not produced by the manufacturer, are the purchaser's responsibility. The manufacturer assumes no responsibility whatsoever for faucet installation during the warranty period. There is no further expressed warranty. The manufacturer disclaims any and all implied warranties. The manufacturer shall not be liable for incidental, consequential or special damages arising at or in connection with product use or performance except as may otherwise be accorded by law. This warranty gives you specific legal rights, and you may also have other rights which vary from state to state. This warranty supersedes all prior warranties.

REPLACEMENT PARTS LIST

For replacement parts, call our customer service department at 1-800-288-4002, 6 a.m. - 5 p.m., PT and 9 a.m.-8 p.m., ET, Monday - Friday

PART	DESCRIPTION	PART#
1	Hand Shower	RP38356*
2	Shower Hose	RP38236*
3	Aerator	RP30185
4	Plastic wrench	RP30186
5	Spout assembly	RP80501*
6	O-Ring	RP60107
7	Set Screw (M5x0.8-6g)	RP50002
8	Cartridge	RP20063
9	Bonnet	RP70015
10	Cap	RP80008*
11	Screw	RP50049
12	Handle	RP13381*
13	Set Screw	RP50113
14	Index	RP10067*
15	Escutcheon	RP80502*
16	Screw	RP50037
17	Anchor	RP50036
18	Supply Line	RP70661

*=Color Options: 01=Chrome, 04=Brushed Nickel, 2707=Oil Rubbed Bronze, 7001= Matte Black, 8204= Brushed Bronze.



Printed in China