



**ARGA™  
BATHTUBS  
FEATURING  
SWIRLPOOL™**

## INSTALLATION AND OPERATION INSTRUCTIONS

Safety Instructions.....	2
<b>INSTALLATION</b>	
Inspection and Testing.....	4
Sub Floor Preparation.....	4
Preparing the Floor for MZ20000 Drain Alignment Kit.....	4
Drain Installation.....	5
After Installing the Finished Floor.....	5
<b>OPERATION</b>	
General Operating Instructions.....	7
Cleaning - Systems Clean™.....	7
Suction Cover/Strainer Maintenance.....	7
Bathtub Additives.....	8
Filter Basket Maintenance.....	8
J6 Control Panel Swirlpool™ System Reference Illustration.....	8
Gloss Bathtub Care & Cleaning.....	9
Gloss Bathtub Surface Repair.....	9
Matte Bathtub Care & Cleaning.....	9
Matte Bathtub Surface Repair.....	9
Troubleshooting Procedures.....	9
<b>EXPERIENCE ARGATM: OPERATING INSTRUCTIONS</b>	
Before Use.....	10
Swirlpool™.....	10
Salt Infuser & Jacuzzi® Epsom Salts.....	10
Waterfall.....	11
Illumatherapy™ Light System.....	11

**Jacuzzi Luxury Bath**  
14525 Monte Vista Avenue  
Chino, California 91710

## Safety Instructions

### INSTRUCTIONS PERTAINING TO A RISK OF FIRE, ELECTRIC SHOCK, OR INJURY TO PERSONS.

This is a professional grade product. A knowledge of construction techniques, plumbing and electrical installation according to codes are required for proper installation and user satisfaction. We recommend that a licensed contractor perform the installation of all Jacuzzi Luxury Bath products. Our warranty does not cover improper installation related problems.



**CAUTION:** When using this unit, basic precautions should always be performed, including the following:

**READ AND FOLLOW ALL INSTRUCTIONS. SAVE THESE INSTRUCTIONS.**

- Use this unit only for its intended use as described in this manual. Do not use attachments not recommended by the manufacturer.
- Never drop or insert any object into any opening.



**WARNING: RISK OF ACCIDENTAL INJURY OR DROWNING!**

Do not permit children to use this unit unless they are closely supervised at all times. Do not use hydromassage bathtub unless all suction guards are installed to prevent body and hair entrapment. Never operate the hydromassage bathtub if the suction cover is broken, damaged or missing.



**DANGER: RISK OF SEVERE INJURY FROM ELECTRIC SHOCK OR DEATH FROM ELECTROCUTION!**

This unit must be connected only to a supply circuit that is protected by a 15 amp ground fault circuit interrupter (GFCI). Such a GFCI should be provided by the installer and should be tested on a routine basis. To test the GFCI, push the test button. The GFCI should interrupt power. Push the reset button. Power should be restored. If the GFCI fails to operate in this manner, the GFCI is defective. If the GFCI interrupts power to the bathtub without the test button being pushed, a ground current is flowing, indicating a possibility of an electric shock. Do not use this hydromassage bathtub. Disconnect the hydromassage bathtub and have the problem corrected by a qualified service representative before using.



**WARNING: RISK OF ELECTRIC SHOCK!**

Connect only to a circuit protected by a ground fault circuit interrupter (GFCI). (For permanently connected units) A green-colored terminal (or a wire connector) marked "G," "GR," "GROUND," or "GROUNDING" is provided within the terminal compartment. To reduce the risk of electric shock, connect the terminal or connector to the grounding terminal of your electric service or supply panel with a conductor equivalent in size to the circuit conductors supplying the equipment.



**CAUTION:** This equipment is intended for indoor use only. Install the equipment in accordance with these instructions. Use supply wires that are suitable for 167°F (75°C), including the temperature rating of the supply conductors to be used. This unit should be electrically grounded and installed by a licensed contractor, electrician, and plumber. Building materials and wiring should be routed away from the motor/pump or blower or other heat producing components of this unit. A pressure wire connector is provided on the exterior of the motor/pump and heater to permit connection of an No. 8 AWG solid copper bonding conductor between this unit and all other electric equipment and exposed metal in the vicinity, as needed to comply with local requirements.

### Important CSA Safety Instructions (Canadian models only)



When using this electrical equipment, basic safety precautions should always be followed, including the following:

1. WARNING: RISK OF ACCIDENTAL INJURY OR DROWNING! CHILDREN SHOULD NOT USE HYDROMASSAGE BATHTUB WITHOUT ADULT SUPERVISION.
2. WARNING: RISK OF ACCIDENTAL INJURY OR DROWNING! DO NOT USE HYDROMASSAGE BATHTUB UNLESS ALL SUCTION GUARDS ARE INSTALLED TO PREVENT BODY AND HAIR ENTRAPMENT.
3. WARNING: TO AVOID INJURY, EXERCISE CARE WHEN ENTERING OR EXITING THE HYDROMASSAGE BATHTUB.
4. WARNING: RISK OF ACCIDENTAL INJURY OR DROWNING! DO NOT USE DRUGS OR ALCOHOL BEFORE OR DURING THE USE OF A HYDROMASSAGE BATHTUB EQUIPPED WITH A HEATER TO AVOID UNCONSCIOUSNESS AND POSSIBLE DROWNING.
5. WARNING: RISK OF FETAL INJURY! PREGNANT OR POSSIBLY PREGNANT WOMEN SHOULD CONSULT A PHYSICIAN BEFORE USING A HYDROMASSAGE BATHTUB EQUIPPED WITH A HEATER.
6. WARNING: RISK OF HYPERTHERMIA AND POSSIBLE DROWNING: DO NOT USE A HYDROMASSAGE BATHTUB EQUIPPED WITH A HEATER IMMEDIATELY FOLLOWING STRENUOUS EXERCISE.
7. SAVE THESE INSTRUCTIONS.

**Safety Instructions (Continued)****WARNING: RISK OF HYPERTHERMIA AND POSSIBLE DROWNING!**

Do not use a hydromassage bathtub equipped with a heater immediately following strenuous exercise.

**WARNING: RISK OF ELECTRICAL SHOCK!**

- Do not permit electrical appliances (such as a hair dryer, lamp, telephone, radio or television) within 60" (1524 mm) of this hydromassage bathtub.
- Do not operate hydromassage system unless the bathtub is filled with water to at least 1-2" (25-51 mm) above the highest air hole.
- Do not immerse the control panel by overfilling the bathtub.
- When cleaning your bathtub, do not use abrasive substances which will damage the bathtub's surface.
- To prevent discoloration of the acrylic finish, do not fill the bathtub with water in excess of 140°F (60°C).

**WARNING: PROLONGED IMMERSION IN HOT WATER MAY INDUCE HYPERTHERMIA!**

Hyperthermia occurs when the internal temperature of the body reaches a level several degrees above the normal body temperature of 98.6°F (37°C). The symptoms of hyperthermia include an increase in the internal temperature of the body, dizziness, lethargy, drowsiness and fainting. The effects of hyperthermia include:

- A. Failure to perceive heat.
- B. Failure to recognize the need to exit the bathtub.
- C. Unawareness of impending hazard.
- D. Fetal damage in pregnant women.
- E. Physical inability to exit the bathtub.
- F. Unconsciousness resulting in danger of drowning.

**WARNING: RISK OF FETAL INJURY!**

Pregnant or possibly pregnant women should consult a physician before using a hydromassage bathtub equipped with a heater.

**WARNING:** The use of alcohol, drugs or medication can greatly increase the risk of fatal hyperthermia.

People using medications or having an adverse medical history should consult a physician before using a hydromassage bathtub equipped with a heater.



**WARNING:** Do not tamper with user-operated controls or such devices.



**WARNING:** Use this unit only for its intended use as described in this manual. Do not use attachments not recommended by the manufacturers.



**WARNING:** To avoid injury, exercise caution when entering or exiting the hydromassage bathtub.



**WARNING:** Do not use hydromassage bathtub unless all suction guards are installed to prevent body and hair entrapment. Never operate the hydromassage bathtub if the suction cover is broken, damaged or missing.



**WARNING:** Water temperature in excess of 104°F (40°C) may be injurious to your health. Check and adjust water temperature before use.



**CAUTION:** Test the ground fault circuit interrupter protecting this appliance periodically in accordance with manufacturer's instructions.



**IMPORTANT:** Read the complete instructions provided in this manual before beginning installation.

The Company has obtained applicable code (standards) listings generally available on a national basis for products of this type. It is the responsibility of the installer/owner to determine specific local code compliance prior to installation of the product. The Company makes no representation or warranty regarding, and will not be responsible for any code compliance. Product specifications are subject to change without notice.

## Inspection and Testing

### Visual Inspection

- 1 Remove the bathtub from the shipping carton. Be careful not to scratch the surface of the bathtub on exposed staples. Remove the staples or fold them into the carton. Retain the carton until satisfactory inspection of the product has been made. Do not lift the bathtub by the plumbing at any time; handle by the shell only.
- 2 Inspect the shell and bathtub components. Should inspection reveal any damage or defect in the finish or visible damage to any components, do not install the bathtub. Damage or defect to the finish claimed after the bathtub is installed is excluded from the warranty. Jacuzzi Luxury Bath's responsibility for shipping damage ceases upon delivery of the products in good order to the carrier.
- 3 Refer any claims for damage to the carrier. For definitions of warranty coverage and limitations, refer to the published warranty information packed with the product.


### Bathtub Water and Operational Test

All bathtub units are factory tested for proper operation and watertight connections prior to shipping. However, the unit must be retested by the installer prior to installation. Jacuzzi Luxury Bath is not responsible for any defect that could have been discovered, repaired, or avoided by following this inspection and testing procedure:

- 1 Remove bathtub from skirt and place on a level surface, near appropriate water supply, and water drainage. A driveway is a suitable choice.
- 2 Seal the drain and overflow hole with tape or a stopper and fill the bathtub to the bottom of the overflow hole.
- 3 Allow bathtub to stand for 5 minutes. Use operating instructions to ensure tub functions as described. Do not install if tub does not function properly.
- 4 Visually inspect all joints for leaks. Do not install the bathtub if leaks are detected.
- 5 Return bathtub to box or otherwise protect from damage until time of installation.

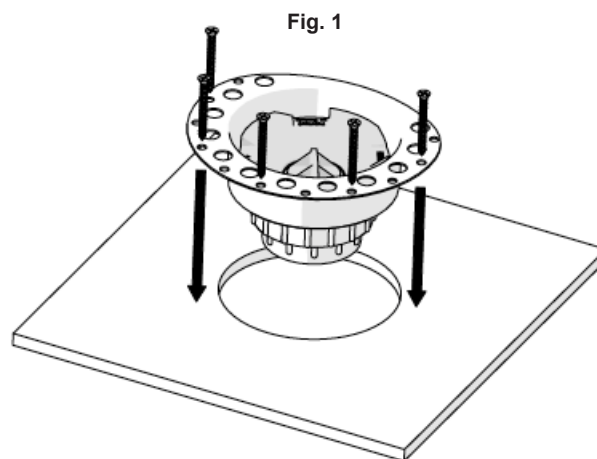
### Sub Floor Preparation


Prepare the sub floor for the drain and ensure that the area is level.

- 1 The drain/overflow of the bathtub extends below the bottom of the bathtub. Identify the drawing in the Technical Specifications section that corresponds with your bathtub (available on [www.jacuzzi.com](http://www.jacuzzi.com)).
  - 2 Determine the location of the basin. The floor must be flat and level.
  - 3 Make appropriate cuts to the Sub floor to accommodate the drain.
-  Please refer to the drawing(s) in the Technical Specifications section that correspond to your bathtub.

### Preparing the Floor for MZ20000 Drain Alignment Kit

- 1 Using the supplied template, cut a 5" hole in the sub floor.
- 2 Install the drain alignment kit into the sub floor according to the included instructions.

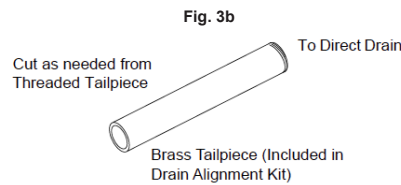
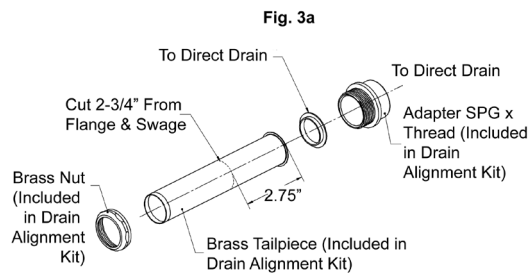
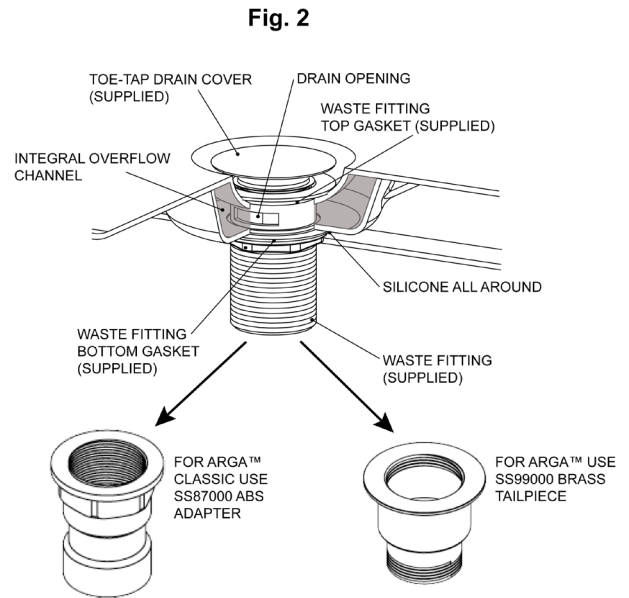


 **NOTE:** Use included template to plan for placement of drain and electrical connection location for required 15A GFCI protected outlet.

## Installation Instructions

### Drain Installation

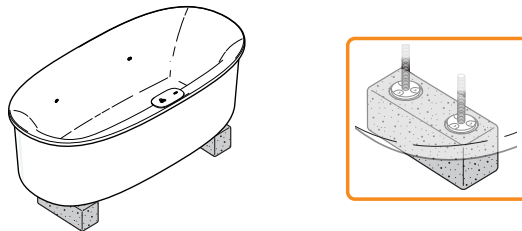
- 1 Install the metal drain/waste fitting (supplied with the tub) into the drain hole as illustrated (Fig. 2). Ensure that the drain opening on the waste fitting is situated in the integral overflow channel. Use the brass fitting SS99000 & relevant MZ20000 pieces as needed by model (Fig. 3a/b).
- 2 A - For Arga™ Classic: Use SS87000 ABS adapter with poly adapter, brass tailpiece and nut from the drain alignment kit included in your tub. These will be used for the conversion (Fig. 3a).  
 B - For Arga™: Use SS99000 brass tailpiece with the threaded tailpiece from the drain alignment kit and install directly to SS99000 (Fig. 3b).
- 3 A - Cut the brass tailpiece to length. For SS87000 connection, deburr and roll the cut edge with a swage tool. Install components to the brass tailpiece as shown (Fig. 3a).  
 B - Cut the brass tailpiece to length. Install components to the brass tailpiece as shown (Fig. 3b).
- 4 Glue the brass tailpiece assembly to the direct drain.



### After Installing the Finished Floor

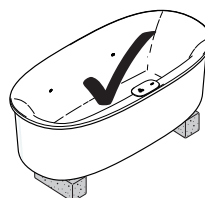
- 1 Place bathtub on supports (ex. blocks or 4x4 lumber), ensuring tub feet are fully supported (Fig. 4).  
**CAUTION:** Bathtub comes factory pre-leveled, however it may be necessary to make adjustments to the levelling feet. These feet operate in a manner similar to those of a home appliance. Prior to beginning installation, check to ensure that the tub is level and make adjustments to the feet as needed.

Fig. 4



- 2 Connect the electrical plug to the dedicated GFCI-protected outlet and confirm tailpiece sits properly over drain alignment kit (Fig. 5). Apply silicone to the bottom of tub to attach to floor when lowered in step 3.

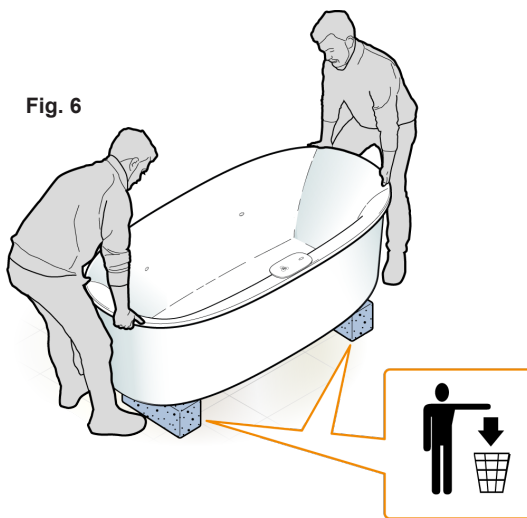
Fig. 5



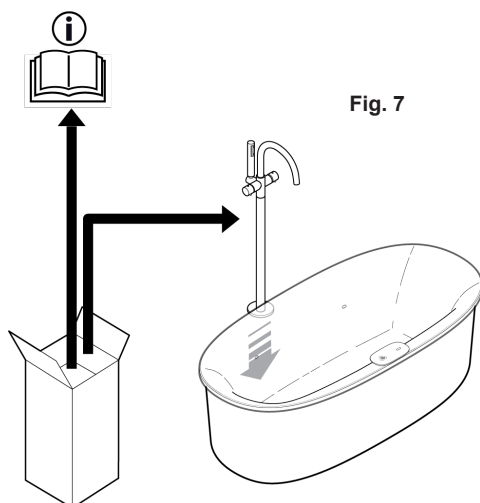
- CAUTION:** Ensure that the skirt has been fully bolted on before moving further.

## Installation Instructions

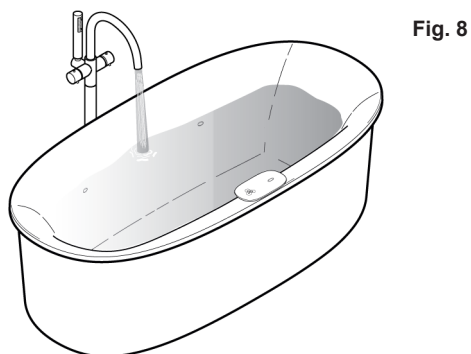
- 3** Apply the grease included in the drain alignment kit to the end of the brass tailpiece. Carefully team lift the bathtub while a third person removes and discards the material that was supporting the feet (Fig. 6). Carefully lower the tub in the same position down into the drain alignment kit, using caution to avoid damage to the brass tailpiece.



- 4** Install your bathtub filler according to the manufacturer's directions included with the purchased filler, sold separately (Fig. 7).



- 5** Turn power supply on for GFCI protected outlet and ensure that the system performs properly (Fig. 8).



- 6** Clean up debris left over from the construction steps taken thus far. Place weights on the tub and allow the silicone to cure.

Now that installation is completed, use the last two pages of this manual to complete the warranty registration for this product.

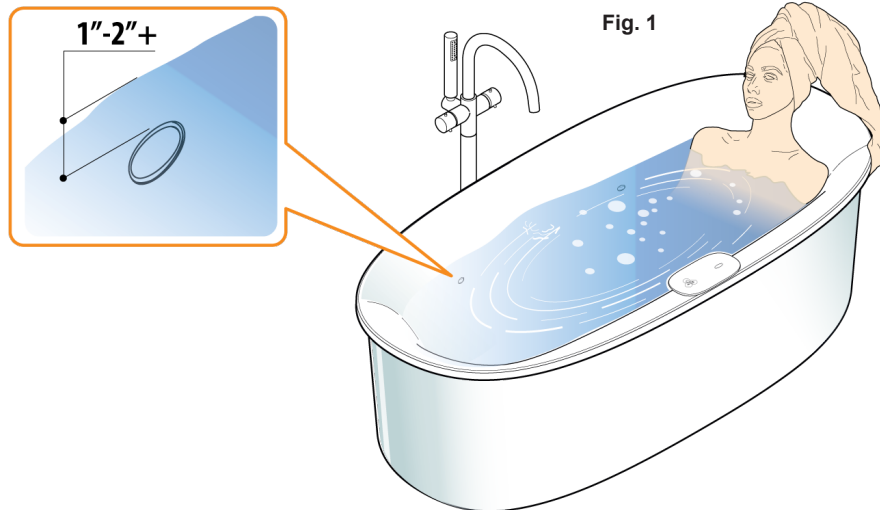
## Operation & Maintenance Instructions

### General Operating Instructions

All bathtubs manufactured by Jacuzzi Luxury Bath are designed for “fill and drain,” which means the bathtub should be drained after each use and filled with fresh water by the next bather. This is a health precaution, as these bathtubs are not designed to hold water continuously like pools or spas.

Close the drain and fill the bathtub until water is at least 1” to 2” (25 mm to 51 mm) above the highest jet (see water line indicated in the illustration - Fig. 1). Do not turn on the system at any time if the jets are not completely immersed in water. Running the system when there is insufficient water in the bathtub could result in water spraying outside the bath area.

**⚠ ATTENTION:** When exiting the bathtub, the water level will drop below the jets which could result in water being sprayed out of the unit. To prevent this, you must turn unit OFF before exiting bathtub.



### Cleaning - Systems Clean™

To remove accumulations of bathtub residue from the system, it is recommended that Swirlpool™ bathtubs be cleaned at least twice a month. For best results, we recommend that you clean your tub after each use using Systems Clean™, our exclusive two-part plumbing system cleaner made exclusively for experience bathtubs. Systems clean is available through [jacuzzi.com/baths](http://jacuzzi.com/baths) or call us direct at 1-800-288-4002.

### Suction Cover/Strainer Maintenance

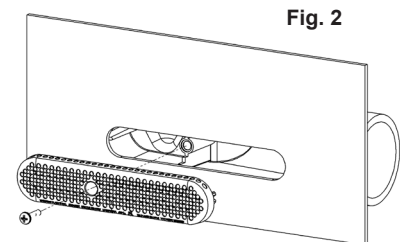
Clean the suction cover/strainer of hair and debris when necessary (Fig. 2).

1. Remove the screw and detach the suction cover.
2. Clean the cover by back flushing debris from the holes.
3. Replace the suction cover immediately after cleaning.

**⚠ WARNING!** When reinstalling, orient the cover/strainer with the holes facing up.

**⚠ DANGER: RISK OF SEVERE INJURY OR DROWNING!** Keep hair a minimum of 6 inches (152 mm) away from the suction fitting at all times when the whirlpool system is operating. Hair longer than shoulder length should be secured close to the head, or a bathing cap should be worn.

**⚠ DANGER: RISK OF SEVERE INJURY OR DROWNING!** Do not operate the Swirlpool™ system with the suction cover/strainer removed! It is a safety device and must always be in place on the suction fitting to minimize the potential hazard of hair and body entrapment.



# Operation & Maintenance Instructions

## Bathtub Additives

**CAUTION:** Do not use oil or oil-based bathtub additives. Never use abrasive cleaners on any Jacuzzi Luxury Bath product.

Arga™ Swirlpool™ bathtubs are intended for use with Jacuzzi® Epsom Salts.

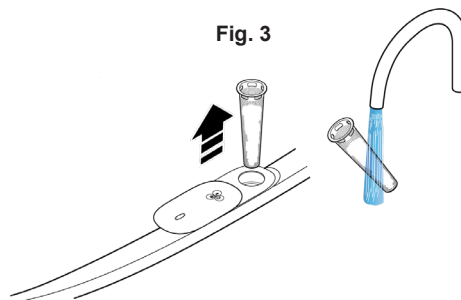
If you want to use any other kind of bathtub additive, use only a small amount of low-foaming powder or crystal substance; the system action intensifies the foaming properties of soaps.

The use of certain bathtub oils, bubble baths, and bathtub additives may increase the level of accumulations of bathtub residue in the system and may cause false reading of the water level sensors. If excess accumulations persist, you should discontinue use of these products.

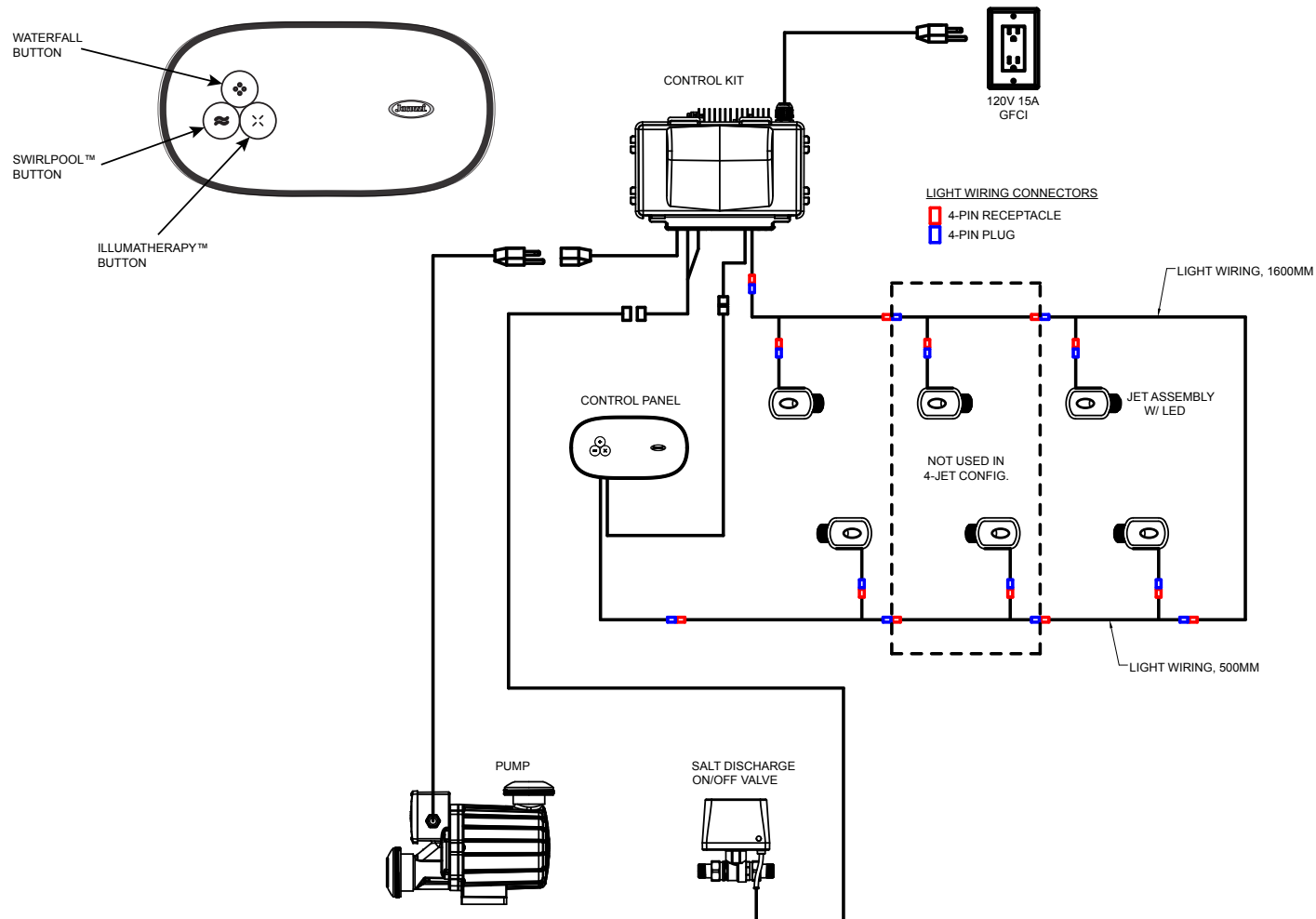
## Filter Basket Maintenance

After each use, remove & rinse the filter basket to remove any residue (Fig. 3).

**ATTENTION:** If anything becomes trapped or dried into the strainer, first soak the filter basket in dish soap and warm water, then scrub as needed with a brush.



## J6 Control Panel Swirlpool™ System Reference Illustration





## Operation & Maintenance Instructions

### Gloss Bathtub Care & Cleaning

To clean the bathtub, use a mild Meguiar's nonabrasive liquid detergent solution. You can protect and restore the luster to a dulled acrylic surface by applying Meguiar's #10 Mirror Glaze, a product specifically designed for use on acrylic finishes.



Never use abrasive household cleaners of any kind on any Jacuzzi Luxury Bath product.

### Gloss Bathtub Surface Repair

Minor scratches which do not penetrate the color finish can be removed by lightly sanding with #600-grit wet and dry sandpaper. Restore the gloss using Meguiar's Mirror Glaze. Major scratches and gouges which penetrate the acrylic surface will require refinishing. Call Jacuzzi Luxury Bath to find a service agent in your area.

### Matte Bathtub Care & Cleaning

1. First clean with a mild dish soap and warm water; wipe clean with a soft, slightly damp cloth.
2. For more difficult stains such as grease, oil, paint or ink, apply rubbing alcohol; wipe clean with a soft, dry cloth.
3. Avoid abrasive cleansers and solvents, harsh chemicals or those containing lime removal elements. They may damage the finish and void the warranty.
4. Avoid abrasive scrubbing cloths or pads.
5. Avoid using razor blades or other sharp objects that might scratch the surface.
6. If unsure as to the suitability of a product's appropriateness for use with these baths, first test a very small amount of the product on an inconspicuous area of the bath before using on a visible surface.
7. For very difficult stains, Jacuzzi Luxury Bath recommends the following cleansers and materials: Mr. Clean Magic Eraser, Soft Scrub, Bon Ami or Gray Scotch Brite Pads (DO NOT use Green Scotch Brite Pads).

### Matte Bathtub Surface Repair

Minor scratches which do not penetrate the color finish can be removed by lightly sanding with #600-grit wet and dry sandpaper. Restore the finish using a Gray Scotch Brite Pad. Major scratches and gouges which penetrate the acrylic surface will require refinishing. Call Jacuzzi Luxury Bath to find a service agent in your area.

### Troubleshooting Procedures

PROBLEM	PROBABLE CAUSES	REMEDY
Pump/motor does not start	<ul style="list-style-type: none"> <li>• No power to pump/motor</li> <li>• Pump/motor not plugged in</li> <li>• Pump/motor faulty</li> </ul>	<ul style="list-style-type: none"> <li>• Reset GFCI</li> <li>• Insert plug securely into outlet</li> <li>• Ensure control panel is connected to control box</li> <li>• Contact Jacuzzi Luxury Bath @ 800-288-4002</li> </ul>
Pump/motor operates but no fully adjustable jets are functioning	<ul style="list-style-type: none"> <li>• Suction cover/strainer may be clogged</li> </ul>	<ul style="list-style-type: none"> <li>• With the motor turned OFF, remove the suction cover/strainer and remove any debris. Replace the suction cover before operating</li> </ul>
Illumatherapy™ lights do not operate	<ul style="list-style-type: none"> <li>• Connector has come loose</li> </ul>	<ul style="list-style-type: none"> <li>• Contact Jacuzzi Luxury Bath @ 800-288-4002</li> </ul>
Water leakage from pump unions	<ul style="list-style-type: none"> <li>• Overtightened, O-ring may be pinched or improperly seated, under tightened</li> </ul>	<ul style="list-style-type: none"> <li>• Loosen unions, check and reseal O-ring. If O-ring has been pinched out of shape, replace (refer to number below). When tightening union nuts, hand tighten only</li> </ul>
Pump/motor shuts off by itself before time elapses	<ul style="list-style-type: none"> <li>• Motor thermal protection has deactivated pump/ motor due to overheating (supply voltage low)</li> <li>• GFCI tripped</li> <li>• Inadequate supply wiring</li> </ul>	<ul style="list-style-type: none"> <li>• Let motor cool; thermal protection will reset. Check for proper ventilation (check supply voltage)</li> <li>• Reset GFCI; if it continues to trip, do not use this unit. Disconnect the unit and have the problem corrected by a licensed electrician before using</li> <li>• Consult a licensed electrician to correct the wiring unit</li> </ul>
Waterfall not working	<ul style="list-style-type: none"> <li>• Swirlpool™ function not on</li> <li>• Waterfall button not activated</li> <li>• Debris in waterfall outlet</li> <li>• Valve not functioning properly</li> <li>• Loose connections (wiring)</li> </ul>	<ul style="list-style-type: none"> <li>• Turn on whirlpool</li> <li>• Press waterfall button (watch for blue lights to flash)</li> <li>• Use a thin, rigid and non-abrasive material (i.e. credit card) and gently swipe back and forth until debris is cleared away from the waterfall opening</li> <li>• Contact Jacuzzi Luxury Bath @ 800-288-4002</li> </ul>



If the unit is within the warranty period, contact Jacuzzi Luxury Bath Service Support at 1-800-288-4002 with your bath's serial number before work is started. The serial number is located on the Specification/Serial Number Plate.

## Experience Arga™

### Before Use

- 1 Close the drain and fill the bathtub until water is at least 1" to 2" (25 mm to 51 mm) above the highest jet (see water line indicated in the illustration - Figure 1). Do not turn on the system at any time if the jets are not completely immersed in water. Running the system when there is insufficient water in the bathtub could result in water spraying outside the bath area.

**⚠ ATTENTION:** When exiting the bathtub, the water level will drop below the jets which could result in water being sprayed out of the unit. To prevent this, you must turn unit OFF before exiting bathtub.

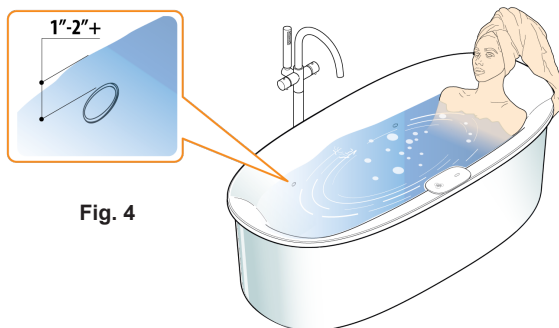


Fig. 4

### Swirlpool™

- 2 To activate the Swirlpool™ function, touch the ≈ button briefly (the function starts after lifting your finger) (Fig. 5).

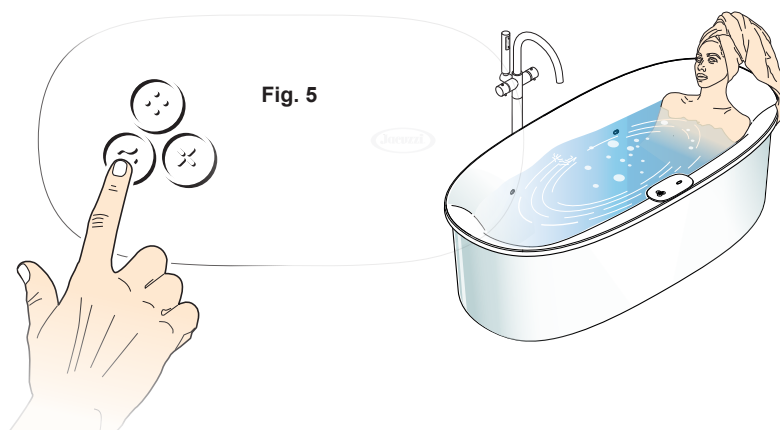


Fig. 5

**NOTE:** The Swirlpool™ function is programmed to run for 20 minutes, after which the function stops automatically. To stop the function earlier if preferred, simply touch the ≈ button again.

### Salt Infuser & Jacuzzi® Epsom Salts

The Arga™ is specifically designed to allow for the use of Jacuzzi® Epsom Salts through the integrated salt infuser. The salt infuser relieves the need to mix the salts by hand, perfectly blending the salts and delivering them into the bathing well through the waterfall. Salt use is not required to operate the waterfall.

- 3 Salts can be added before or during the Swirlpool™ function, before starting the waterfall. To add, rotate the display toward the inside of the tub as shown (Fig. 6). Check that the strainer basket is in the infuser, and pour 8-9 oz. (1 container) of Epsom Salt inside before returning the control panel to closed position.

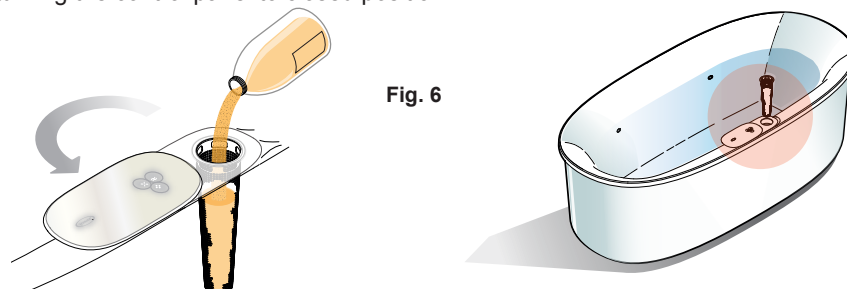


Fig. 6

**⚠ WARNING:** Do not add salt without the strainer basket present. Do not use more than one container of salt at a time. The use of more than one container of Epsom salt or salt use without the strainer basket could potentially clog the system.

## Experience Arga™

### Waterfall

- 4 Activate the waterfall after starting the Swirlpool™ function (and adding Jacuzzi® Epsom Salts in step 3 if desired) by touching the button briefly (the function starts after lifting your finger) (Fig. 7).



**WARNING:** Do not press multiple times. Do not block the waterfall outlet at any time.

**ATTENTION:** The waterfall cannot operate if the Swirlpool™ function is not activated.

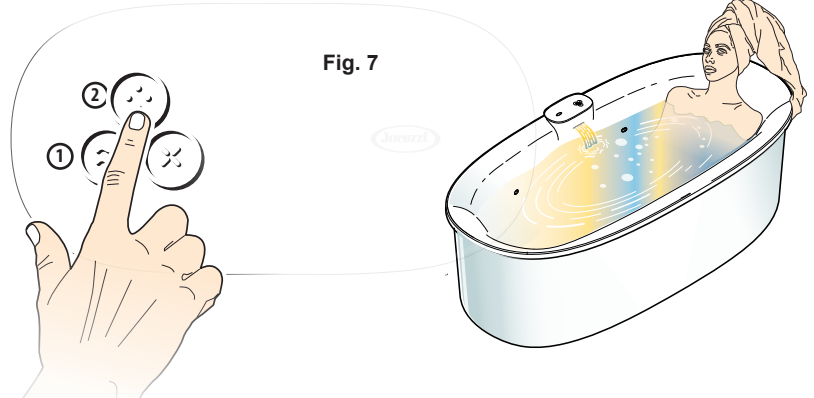
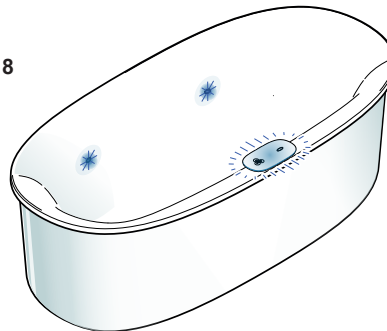


Fig. 7

- 5 Once the button is touched, the Illumatherapy™ lights will flash blue (Fig. 8). The salt infuser will mix the salts for approximately 10 seconds before the waterfall action begins. If the waterfall is activated without salt, the 10 second mixing still occurs.

Fig. 8



- 6 The waterfall will continue to operate throughout the Swirlpool™ experience, or can be turned off if desired by touching the button again.

Note: After the waterfall is turned off, the salt infuser will slowly drain into the tub. As such, adding salt to the infuser after the waterfall has run during a bath will allow a small amount of dissolved salt to drain into the tub. This is normal and will not cause any issues for the bath.

### Illumatherapy™ Light System

- 7 The Illumatherapy™ light system can be used at any time while the bath is filled or empty. To activate, simply touch the button briefly (the lights activate after lifting your finger) (Fig. 9). The lights will activate on the rainbow cycle.

To change color, touch the button again to move through the colors in Figure 10. Hold for 2 seconds at any time to turn off the lights. The lights are programmed to turn off after 30 minutes.

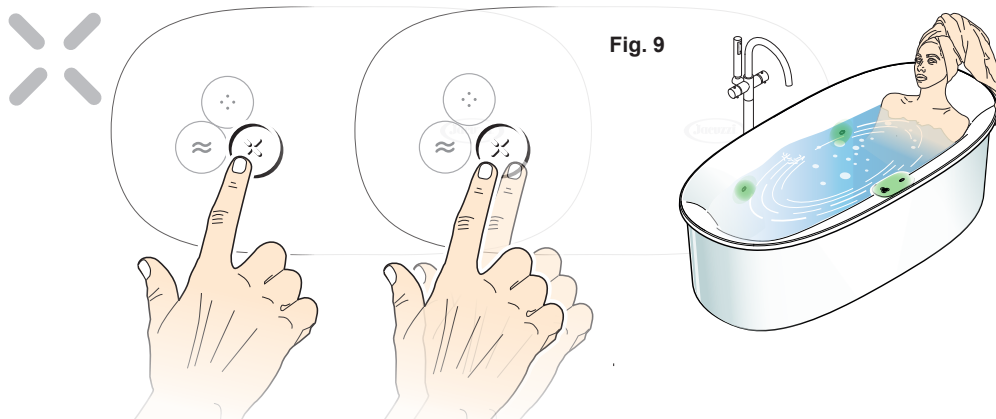


Fig. 9

Fig. 10

1. Activate Lights on Rainbow Cycle
2. Blue
3. Red
4. Yellow
5. White
6. Turquoise
7. Green
8. Orange
9. Magenta

**Notes:**



Jacuzzi Luxury Bath  
14525 Monte Vista Avenue  
Chino, California 91710



WARRANTY REGISTRATION CARD

To complete your registration, visit our website at www.jacuzzi.com or fill out and mail this card to the address printed on the other side within thirty (30) days from date of purchase in order for this warranty to take effect.



Purchaser's Name \_\_\_\_\_
Purchaser's Address \_\_\_\_\_
City \_\_\_\_\_ State \_\_ Zip \_\_\_\_\_
Home Phone: \_\_\_\_\_ Cell Phone: \_\_\_\_\_
Email: \_\_\_\_\_
Date of Purchase \_\_\_\_\_
Model Name \_\_\_\_\_
Serial Number \_\_\_\_\_
Dealer's Name \_\_\_\_\_
Dealer's Address \_\_\_\_\_

- 1. How did you first hear about this Jacuzzi® product?
2. Who first gave you specific information about this product (specifications, prices, etc.)?
3. What was the main reason for purchase?
4. Who finally decided which product you would buy?
5. Who installed?
6. What is the current market value of this property?
7. What is the age of the head of the household?
8. What other manufacturers did you consider?
9. How long did you shop before purchasing unit?
10. Approximately how long have you lived in this home?
11. Please indicate, approximately, the total annual income of your household.
12. Was your purchase process?
13. How technically aware were you of the patented Jacuzzi® jet system prior to your purchase?

Ninety-Day
Parts Only
Limited Warranty
On
Accessory(ies)