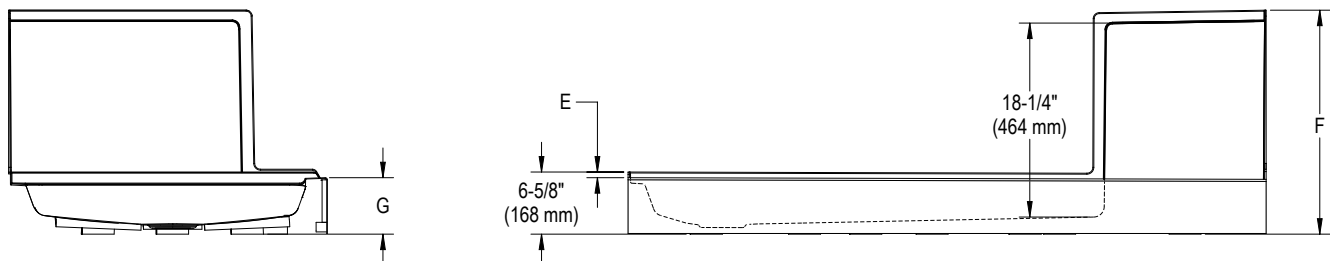
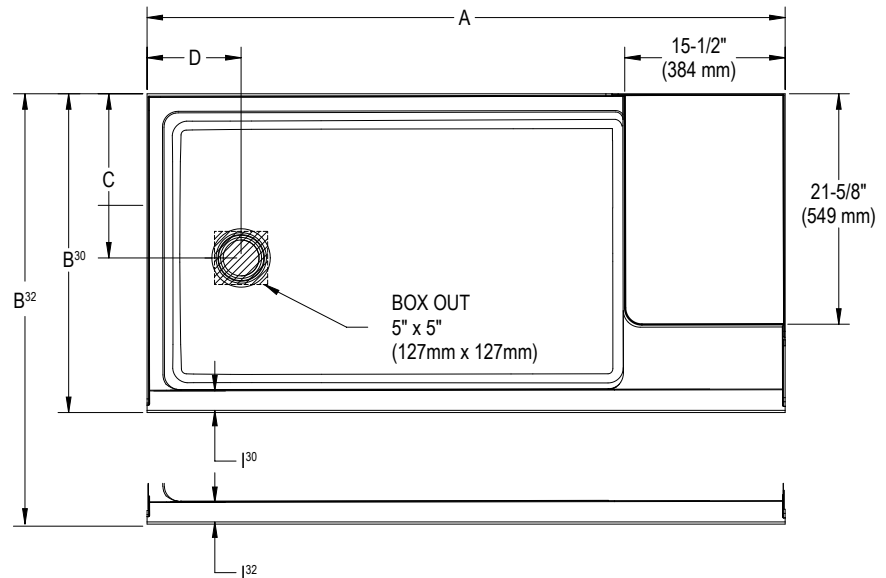


Catalina™ Seated Shower Base Technical Specifications

Letter	Description	6030	6032
-	Drain Location	Left/Hand Drain	Left/Hand Drain
-	Weight (Empty)	60 lbs (27 kg)	63 lbs (29 kg)
-	Weight (Packaged)	65 lbs (29 kg)	68 lbs (31 kg)
-	Overall Dimensions	60" x 30" x 20-1/16" (1524 mm x 762 mm x 510 mm)	60" x 32" x 20-1/16" (1524 mm x 813 mm x 510 mm)
-	Total Weight (Floor Loading)	29 lb/ft ² (142 kg/m ²)	27 lb/ft ² (132 kg/m ²)
-	Water Pressure Required	NA	NA
A	Overall Width	60" (1524 mm)	60" (1524 mm)
B ³⁰ /B ³²	Overall Depth (Includes Nailing Flange)	30" (762 mm)	32" (813 mm)
C	Drain Rough-In (From Back Wall)	15-1/2" (394 mm)	15-1/2" (394 mm)
D	Drain Rough-In (From Side Wall)	8-7/8" (225 mm)	8-7/8" (225 mm)
E	Flange Height	1-1/4" (32 mm)	1-1/4" (32 mm)
F	Overall Height (Includes Nailing Flange)	21-5/16" (541 mm)	21-5/16" (541 mm)
G	Threshold Height	5-3/8" (137 mm)	5-3/8" (137 mm)
H	Drain Diameter	3-3/8" (86 mm)	3-3/8" (86 mm)
I ³⁰ /I ³²	Threshold Width	1-7/8" (48 mm)	3-7/8" (98 mm)
Accessories			
-	Drain Kit with Strainer (Included)	MB28827	MB28827

KEY DIMENSIONS* [NOTE: The overall dimensions are nominal with a tolerance of +0 and -.25" (6mm).]



Refer to installation instructions included with fixture before beginning installation. Please confirm product availability and specifications before commencing with any installation work.

PRODUCT SPECIFICATIONS AND AVAILABILITY ARE SUBJECT TO CHANGE WITHOUT NOTICE