



Job Name: \_\_\_\_\_

Location: \_\_\_\_\_

Contact #: \_\_\_\_\_

# Specifications

## Model

- PP55845 ARDMORE™ FREESTANDING TUB FILLER - OIL BRONZE
- PP55826 ARDMORE™ FREESTANDING TUB FILLER- BRUSHED NICKEL
- PP55827 ARDMORE™ FREESTANDING TUB FILLER - CHROME

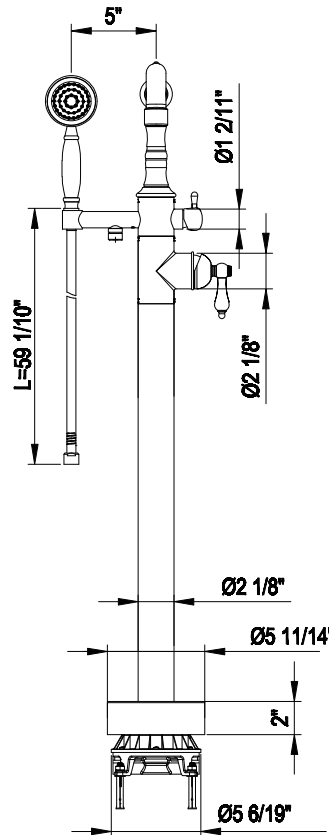
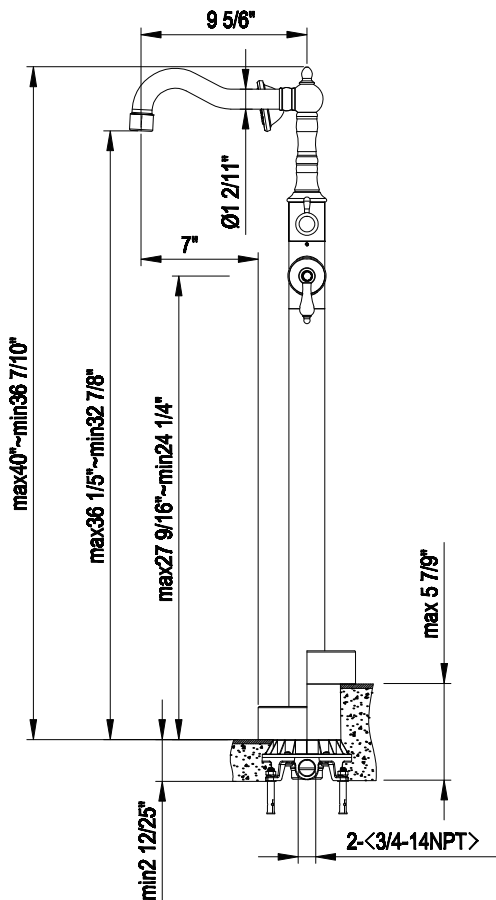
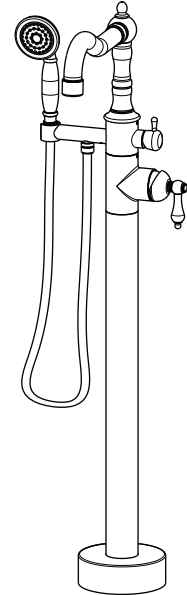
## Ardmore™ Freestanding Tub Filler

## Description

- Solid Brass Construction
- High Flow Rate Ceramic Disc Cartridge 11 GPM (at 60 psi)
- Hand shower flow rate 1.8 GPM
- Separate Base That Can Be Installed Along With Flooring
- Easy To Operate (Separate Hand Shower Cartridge)
- Very Easy Installation

## Standards

- AISI/ASME A112.18.1M
- IAPMO/UPC



## Technical Support

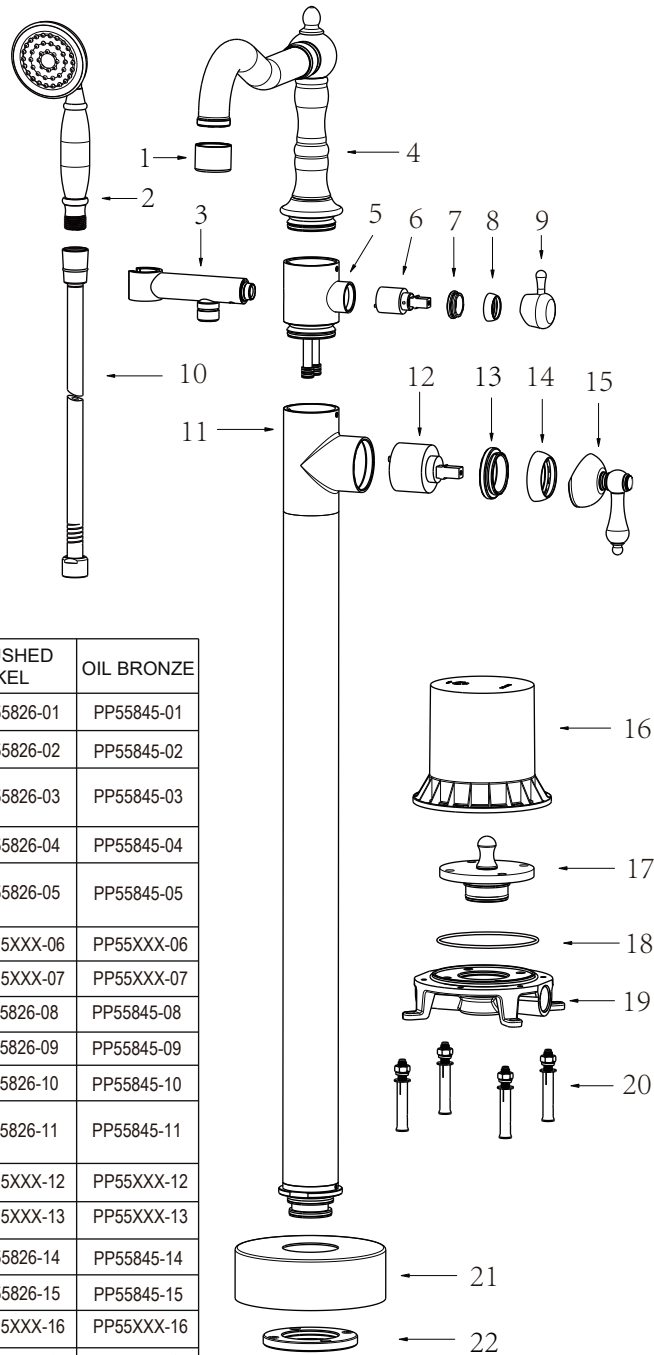
1-800-288-4002

Manufacturer model# PP55845-PP55826-PP55827



# Warranty Parts List

## Ardmore™ Freestanding Tub Filler



PART	DESCRIPTION	CHROME	BRUSHED NICKEL	OIL BRONZE
1	Aerator assembly / Groupe aérateur / Gruppo aeratore	PP55827-01	PP55826-01	PP55845-01
2	Hand shower / Douchette / Doccetta	PP55827-02	PP55826-02	PP55845-02
3	Shower holder assembly / Groupe porte douchette / Gruppo porta doccia	PP55827-03	PP55826-03	PP55845-03
4	Spout Seal Kit / Kit étanchéité embout / Kit tenuta bocca	PP55827-04	PP55826-04	PP55845-04
5	25mm Valve body assembly / 25mm Groupe Corps de vanne / 25mm Gruppo Corpo valvola	PP55827-05	PP55826-05	PP55845-05
6	Cartridge / Cartouche / Cartuccia	PP55XXX-06	PP55XXX-06	PP55XXX-06
7	Locking Nut / Écrou de blocage / Dado di bloccaggio	PP55XXX-07	PP55XXX-07	PP55XXX-07
8	Trim cop / Rosace / Coprighiera	PP55827-08	PP55826-08	PP55845-08
9	Handle assembly / Groupe poignée / Gruppo maniglia	PP55827-09	PP55826-09	PP55845-09
10	Hose/ Tuyau Flexible/ Tubo Flessibile	PP55827-10	PP55826-10	PP55845-10
11	47mm Valve body assembly / 47mm Groupe Corps de vanne / 47mm Gruppo Corpo valvola	PP55827-11	PP55826-11	PP55845-11
12	Cartridge / Cartouche / Cartuccia	PP55XXX-12	PP55XXX-12	PP55XXX-12
13	Locking nut / Écrou de blocage / Dado di bloccaggio	PP55XXX-13	PP55XXX-13	PP55XXX-13
14	Trim cup / Rosace / Coprighiera	PP55827-14	PP55826-14	PP55845-14
15	Handle assembly / Groupe poignée / Gruppo maniglia	PP55827-15	PP55826-15	PP55845-15
16	Plastic shield / Gaine plastique / Guaina in plastica	PP55XXX-16	PP55XXX-16	PP55XXX-16
17	Sealing test plug / Bouchon de test d'étanchéité / Tappo di prova tenuta	PP55XXX-17	PP55XXX-17	PP55XXX-17
18	O-ring / Joint torique / Guarnizione O-ring	PP55XXX-18	PP55XXX-18	PP55XXX-18
19	Embedded body / Corps encastré / corpo ad incasso	PP55XXX-19	PP55XXX-19	PP55XXX-19
20	Setscrew / Vis d'arrêt / vite di fissaggio	PP55XXX-20	PP55XXX-20	PP55XXX-20
21	Escutcheon / Embout / Bocchetta	PP55827-21	PP55826-21	PP55845-21
22	Plate / Plaque / Piastra	PP55XXX-22	PP55XXX-22	PP55XXX-22



**Technical Support**

1-800-288-4002

Manufacturer model# PP55845-PP55826-PP55827