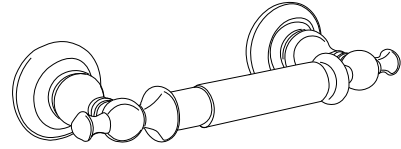




specifications

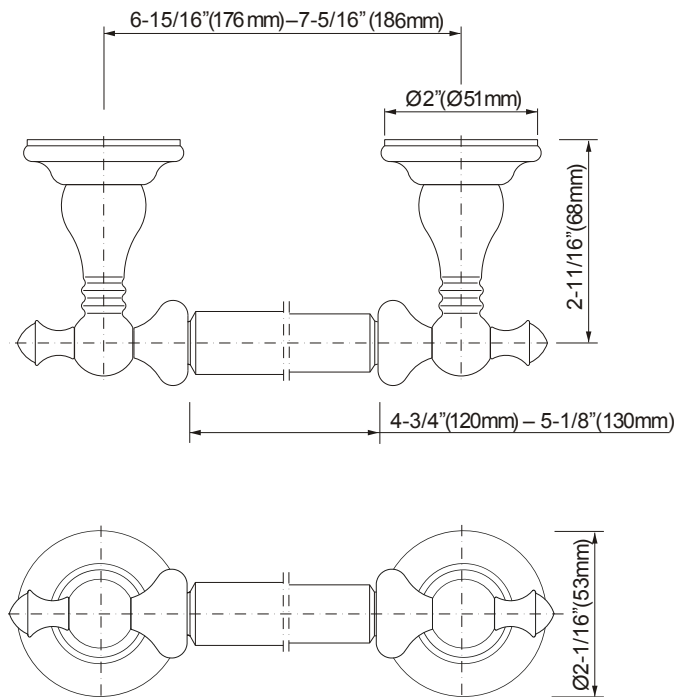
WARRANTY

1 Year Warranty



BARREA™ Tissue Holder

MODEL	FINISH
PK02827	Polished Chrome
PK02826	Brushed Nickel
PK02824	Polished Nickel
PK02845	Olive Bronze



INSTALLATION DIMENSIONS

Jacuzzi Luxury Bath reserves the right to make changes in specifications and materials and to change and discontinue models, both without notice or obligation. Dimensions are for reference only.