

Celia™ 6036 Whirlpool And Soaking Bathtubs

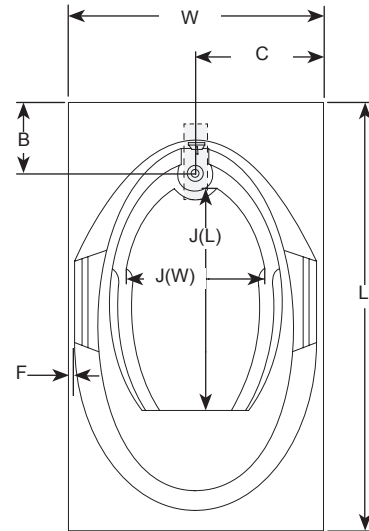
Letter	Description	Whirlpool	Soaking
-	Drain Location	Right Hand / Left Hand	Right Hand / Left Hand
-	Whirlpool Pump Location	Opposite end of drain location	N/A
-	Cutout	58.0" x 34.0" (1473 mm x 864 mm)	58.0" x 34.0" (1473 mm x 864 mm)
-	Total Weight	733 lb (332 kg)	717 lb (325 kg)
-	Floor Loading	49 lb/ft ² (239 kg/m ²)	48 lb/ft ² (234 kg/m ²)
-	Operating Gallons (Min/Max)	48 Gal (182 L)	48 Gal (182 L)
-	Product Weight	83 lb (38 kg)	67 lb (30 kg)
L	Outer Length	60.00" (1524 mm)	60.00" (1524 mm)
W	Outer Width	36.00" (914 mm)	36.00" (914 mm)
H	Overall Height	19.25" (489 mm)	19.25" (489 mm)
A	Overflow Height	17.50" (445 mm)	17.50" (445 mm)
B	Long Edge to Drain Center	9.00" (229 mm)	9.00" (229 mm)
C	Short Edge to Drain Center	18.00" (457 mm)	18.00" (457 mm)
D	Drain Shoe Length	6.00" (152 mm)	6.00" (152 mm)
E	Deck Height	2.00" (51mm)	2.00" (51mm)
F	Deck Width	1.00" (25 mm)	1.00" (25 mm)
G	Service Access	12.00 x 18.00" (305 x 457 mm)	N/A
I	Floor Cutout for Drain	12.00 x 4.00" (305 x 102 mm)	12.00 x 4.00" (305 x 102 mm)
J	Interior Dimensions: J(W) x J(L)	22.00 x 34.50" (559 x 876 mm)	22.00 x 34.50" (559 x 876 mm)

NOTE

The overall dimensions are nominal with a tolerance of +0 and -.25" (6mm).

Electrical Specifications

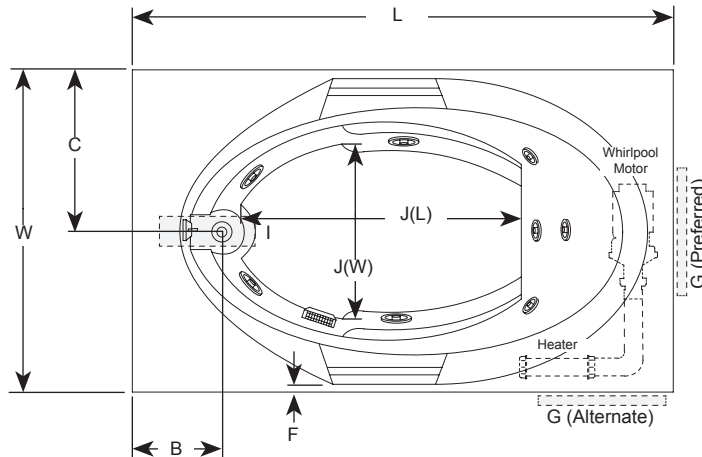
(Each component requires a separate, dedicated GFCI protected circuit)
 Motor/Pump: 120V 15A 60HZ
 Heater (optional): 120V 15A 60HZ



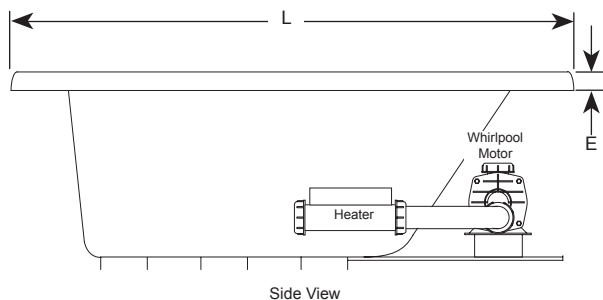
Soaking Bathtub

Key Dimensions

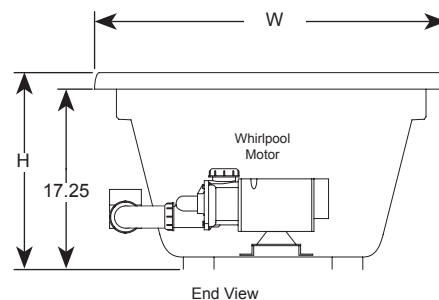
(Left End Drain / Right Side Whirlpool Pump shown)



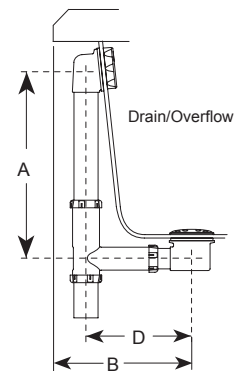
*Deck width reflects only area indicated on detail.



Side View



End View



NOTE: Drawings not to scale.