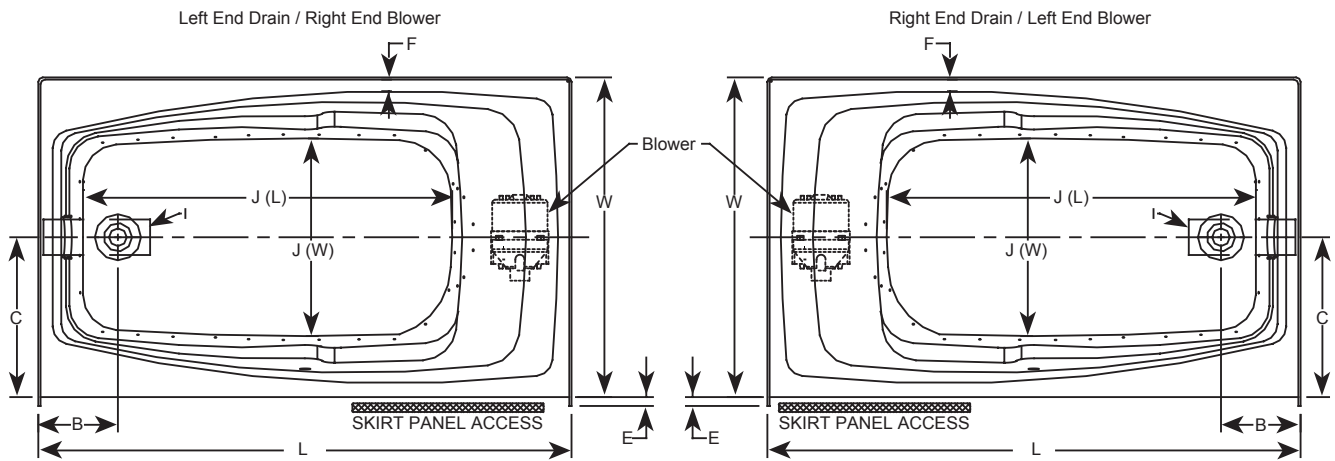


Abri™ 6036 Skirted Air Bath Bathtubs

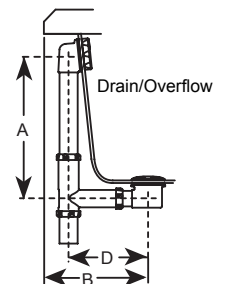
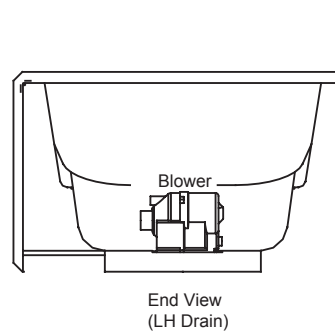
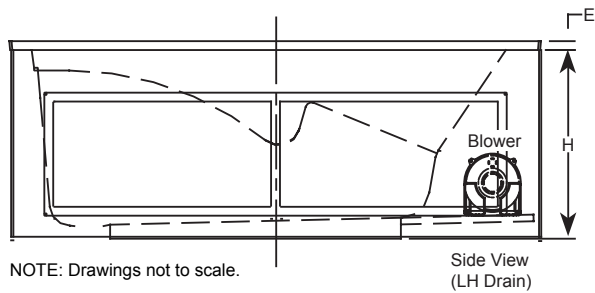
Letter	Description	English	Metric
-	Drain Location	Left Hand / Right Hand	Left Hand / Right Hand
-	Whirlpool Pump Location	Opposite end of drain location	Opposite end of drain location
-	Cutout	N/A	N/A
-	Total Weight	948 lb	430 kg
-	Floor Loading	63.2 lb/ft ²	309 kg/m ²
-	Operating Gallons (Min/Max)	38 Gal / 67 Gal	144 L / 253 L
-	Product Weight	90 lb	41 kg
L	Outer Length	60.00"	1524 mm
W	Outer Width	36.00"	914 mm
H	Overall Height	21.25"	540 mm
A	Overflow Height	18.50"	470 mm
B	Long Edge to Drain Center	9.00"	229 mm
C	Short Edge to Drain Center	18.25"	457 mm
D	Drain Shoe Length	7.00"	178 mm
E	Flange Height	1.00"	25 mm
F	Deck Width	1.25"	32 mm
G	Service Access Dimensions	See Illustration Below	See Illustration Below
I	Floor Cutout for Drain	12.00" x 4.00"	305 mm x 102 mm
J	Interior Dimensions: J(L) x J (W)	40.00" x 21.00"	1016 mm x 533 mm
-	Number of Injectors	34	34

NOTE
 The overall dimensions are nominal with a tolerance of +0 and - .25" (6mm).
 Electrical Specifications
 (Each component requires a separate, dedicated GFCI protected circuit)
 Blower 120V 15A 60HZ

Key Dimensions



*Deck width reflects only area indicated on detail.



NOTE: Drawings not to scale.