

# Lyndsay™ Freestanding Bathtub Specifications

Letter	Description	Soaking	
		5931	6731
-	Drain Location	Center Drain	Center Drain
-	Pump Location	N/A	N/A
-	Cutout Template	N/A	N/A
-	Total Weight	882 lbs (400 kg)	999 lbs (453 kg)
-	Floor Loading	68 lb/ft <sup>2</sup> (332 kg/m <sup>2</sup> )	68 lb/ft <sup>2</sup> (332 kg/m <sup>2</sup> )
-	Operating Gallons (Max.)	65 gal (246 Liters)	77 gal. (291 Liters)
-	Product Weight (Empty)	92 lbs (42 kg)	110 lbs (50 kg)
-	Soaking Depth	15.3" (389mm)	15.8" (402mm)
L	Outer Length	59.0" (1499mm)	67.0" (1702mm)
W	Outer Width	31.5" (800mm)	31.5" (800mm)
H	Overall Height	24.0" (610mm)	24.0" (610mm)
A	Overflow Height	15.5" (394mm)	16.0" (406mm)
B	Long Edge to Drain Center	15.8" (401mm)	15.8" (401mm)
C	Short Edge to Drain Center	29.5" (749mm)	33.5" (851mm)
D	Drain Shoe Length	N/A	N/A
E	Flange Height	N/A	N/A
F	Deck Width*	1.0" (25mm)	1.0" (25mm)
G	Service Access Dimensions	No Service Access	No Service Access
I	Floor Cutout for Drain	4.0" x 4.0" (102mm x 102mm)	4.0" x 4.0" (102mm x 102mm)
J	Interior Dimensions (JW x JL) (Bottom of Bath)	20.0" x 36.0" (508mm x 914 mm)	19.8" x 43.5" (503mm x 1105mm)
K	Interior Dimensions (KW x KL) (Top of Bath)	30.0" x 57.0" (747mm x 1448mm)	30.5" x 65.0" (775mm x 1651mm)
L	Interior Depth - Drain End (D)	18.5" (470mm)	18.5" (470mm)
M	Backrest Angle	24°	29°

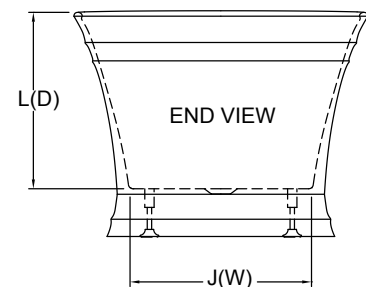
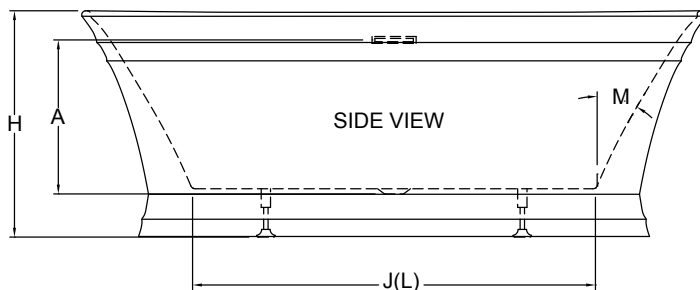
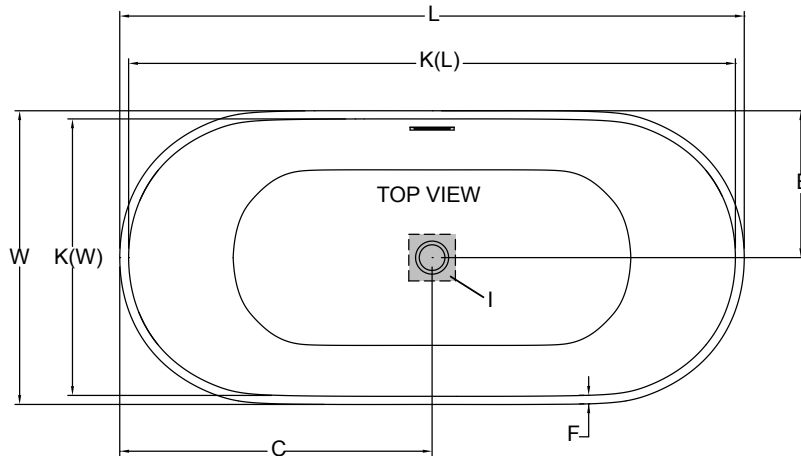
## NOTE

The overall dimensions are nominal with a tolerance of +0 and -.25" (6mm).  
**CAUTION:** The integral overflow cover is not removable. The warranty will be voided if attempted.

## KEY DIMENSIONS

**Note:** Drawings not to scale.

\*Deck width reflects only area indicated on detail.



©2017 Jacuzzi Luxury Bath • For additional information call Customer Service 800-288-4002 • [www.jacuzzi.com/baths/](http://www.jacuzzi.com/baths/)  
 Refer to installation instructions included with fixture before beginning installation. Please confirm product availability and specifications before commencing with any installation work.  
 PRODUCT SPECIFICATIONS AND AVAILABILITY ARE SUBJECT TO CHANGE WITHOUT NOTICE.