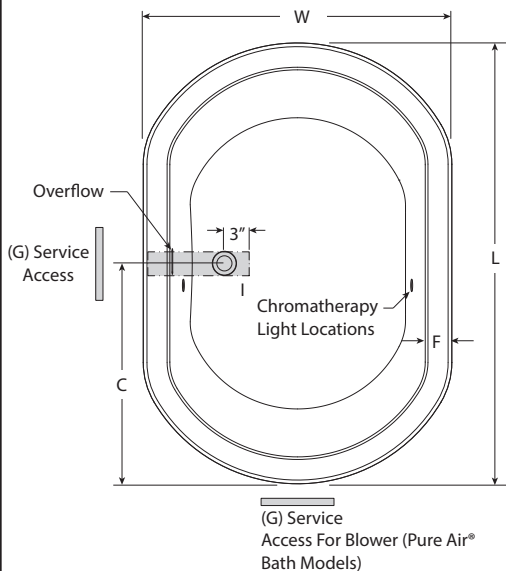
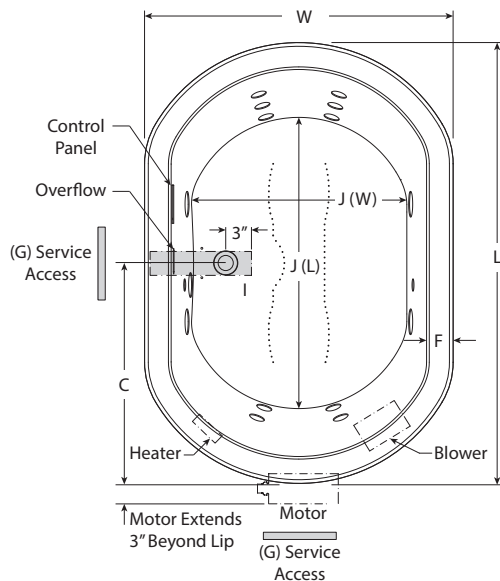


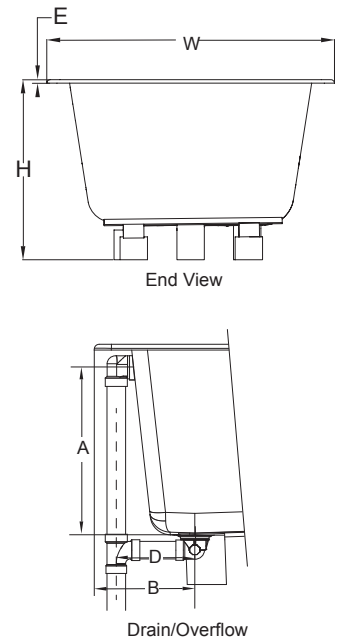
Duetta® - Technical Specifications for 6042 Models

Letter	Description	SOAKING	PURE AIR® BATH	WHIRLPOOL	SALON® SPA	Each component requires a separate, dedicated GFCI protected circuit		
-	Drain/Motor Location	Center Drain/Right Side Motor And/Or Blower						
-	Cutout Template	Template Provided P/N DA09000						
-	Total Weight	1016 lbs (461 kg)	1073 lbs (487 kg)	1077 lbs (488 kg)	1097 lbs (498 kg)			
-	Floor Loading	58 lb/ft ² (283 kg/m ²)	61 lb/ft ² (299 kg/m ²)	62 lb/ft ² (300 kg/m ²)	63 lb/ft ² (306 kg/m ²)			
-	Operating Gallons (Max)	83.0 gallons (314.2 liters)						
-	Product Weight	75 lbs (34 kg)	132 lbs (60 kg)	136 lbs (62 kg)	156 lbs (71 kg)			
-	Soaking Depth	17.5" (444.50 mm)						
L	Outer Length	60" (1524 mm)						
W	Outer Width	42" (1067 mm)						
H	Overall Height	26" (660 mm)						
A	Overflow Height	17.8" (452 mm)						
B	Long Edge to Drain Center	11" (279 mm)						
C	Short Edge to Drain Center	30" (762 mm)						
D	Drain Shoe Length	7.25" (184 mm)						
E	Deck Height	0.50" (13 mm)						
F	Deck Width	3.875" (98 mm)						
G	Service Access Dimensions	12" x 18" (305 mm x 457 mm)						
I	Floor Cutout for Drain	12" x 6" (305 mm x 152 mm)						
J	Interior Dimensions (bottom of bath) L x W	39" x 28" (991 mm x 711 mm)						
						Model with components	GFCI Outlet (60Hz)	
						SOAKING	Soaker only	None
							Soaker w/ Chromatherapy	
						PURE AIR® BATH	Blower	120V 15A
							Chromatherapy (if available)	
						WHIRLPOOL	Motor/Pump	120V 20A
							Heater (if available)	120V 15A
						SALON® SPA	Motor/Pump/Heater	240V 30A
							Blower	120V 15A

KEY DIMENSIONS [NOTE: The overall dimensions are nominal with a tolerance of +0 and -.25" (6mm).]

 Duetta® Soaking And Pure Air® Bath Models
(Soaking Bath Shown)

 Duetta® Whirlpool And Salon® Spa Models
(Salon® Spa Shown)


All Models



Refer to installation instructions included with fixture before beginning installation. Please confirm product availability and specifications before commencing with any installation work.

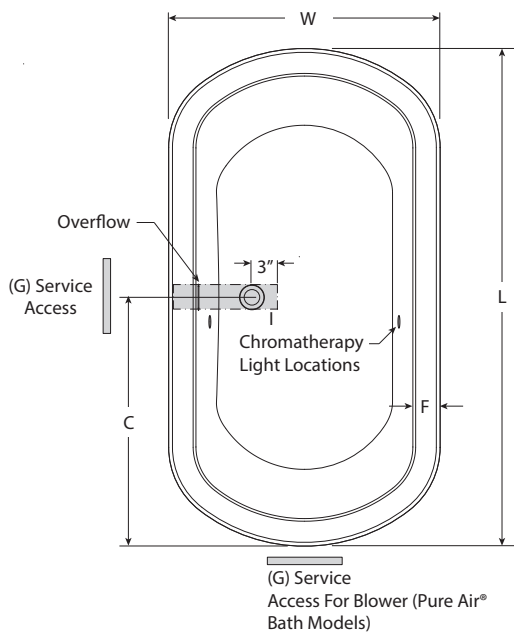
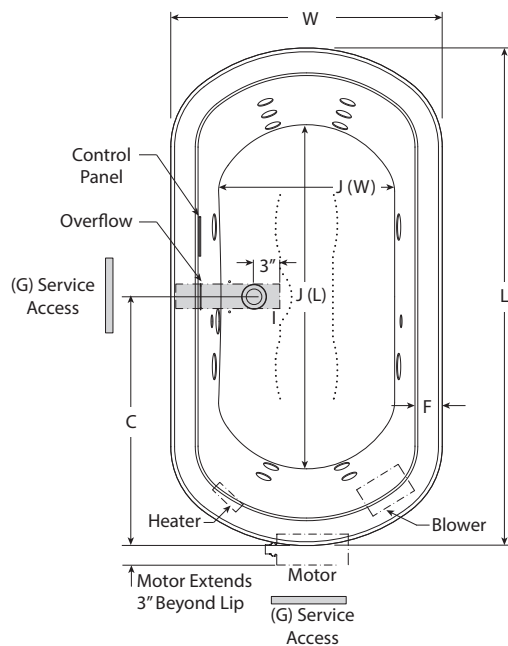
PRODUCT SPECIFICATIONS AND AVAILABILITY ARE SUBJECT TO CHANGE WITHOUT NOTICE

Duetta® - Technical Specifications for 6636 Models

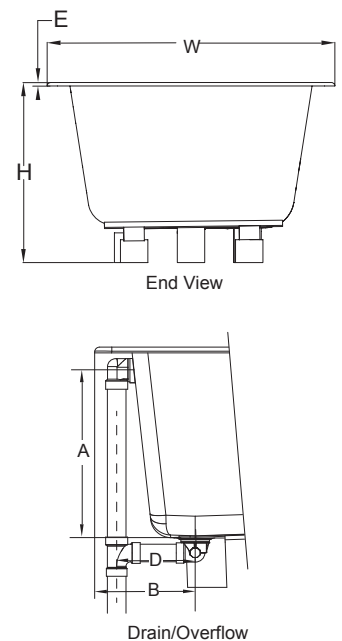
Letter	Description	SOAKING	PURE AIR® BATH	WHIRLPOOL	SALON® SPA	Each component requires a separate, dedicated GFCI protected circuit	
-	Drain/Motor Location	Center Drain/Right Side Motor And/Or Blower					
-	Cutout Template	Template Provided P/N DA08000					
-	Total Weight	979 lbs (444 kg)	1029 lbs (467 kg)	1044 lbs (473 kg)	1064 lbs (483 kg)		
-	Floor Loading	59 lb/ft ² (290 kg/m ²)	62 lb/ft ² (304 kg/m ²)	63 lb/ft ² (309 kg/m ²)	64 lb/ft ² (315 kg/m ²)		
-	Operating Gallons (Max)	79 gallons (299.0 liters)					
-	Product Weight	71 lbs (32 kg)	121 lbs (55 kg)	136 lbs (62 kg)	156 lbs (71 kg)		
-	Soaking Depth	17.5" (444.50 mm)					
L	Outer Length	66" (1676 mm)					
W	Outer Width	36" (914 mm)					
H	Overall Height	26" (660 mm)					
A	Overflow Height	17.9" (455 mm)					
B	Long Edge to Drain Center	11" (279 mm)					
C	Short Edge to Drain Center	33" (838 mm)					
D	Drain Shoe Length	7.25" (184 mm)					
E	Deck Height	0.50" (13 mm)					
F	Deck Width	3.875" (98 mm)					
G	Service Access Dimensions	12" x 18" (305 mm x 457 mm)					
I	Floor Cutout for Drain	12" x 6" (305 mm x 152 mm)					
J	Interior Dimensions (bottom of bath) L x W	44" x 23" (1118 mm x 584 mm)					

Model with components		GFCI Outlet (60Hz)
SOAKING	Soaker only	None
	Soaker w/ Chromatherapy	120V 15A
PURE AIR® BATH	Blower	
	Chromatherapy (if available)	
WHIRLPOOL	Motor/Pump	120V 20A
	Heater (if available)	120V 15A
SALON® SPA	Motor/Pump/Heater	240V 30A
	Blower	120V 15A

KEY DIMENSIONS [NOTE: The overall dimensions are nominal with a tolerance of +0 and -.25" (6mm).]

 Duetta® Soaking And Pure Air® Bath Models
(Soaking Bath Shown)

 Duetta® Whirlpool And Salon® Spa Models
(Salon® Spa Shown)


All Models



Refer to installation instructions included with fixture before beginning installation. Please confirm product availability and specifications before commencing with any installation work.

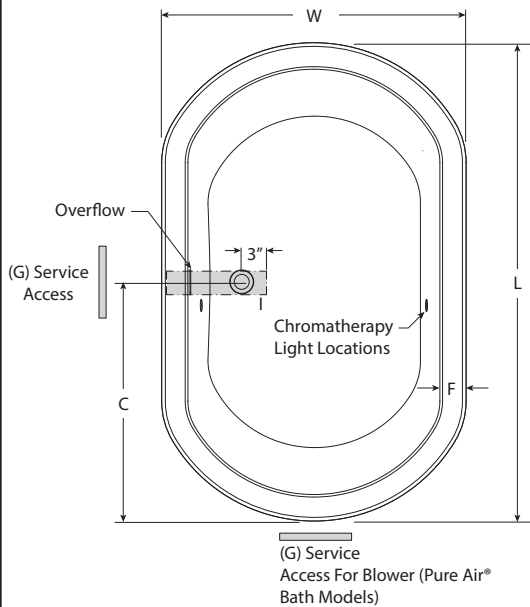
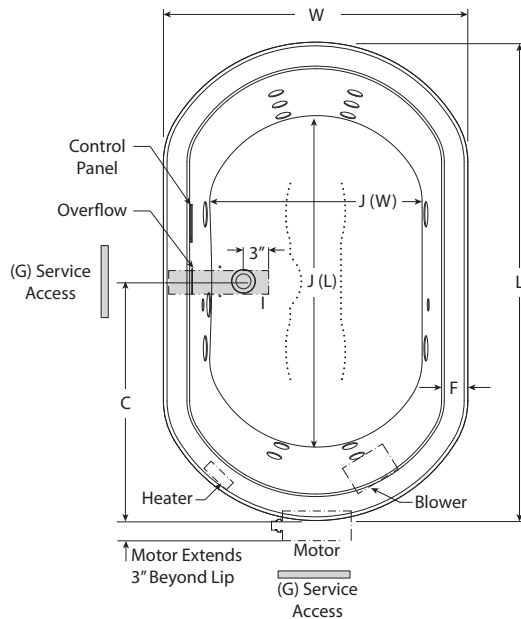
PRODUCT SPECIFICATIONS AND AVAILABILITY ARE SUBJECT TO CHANGE WITHOUT NOTICE

Duetta® - Technical Specifications for 6642 Models

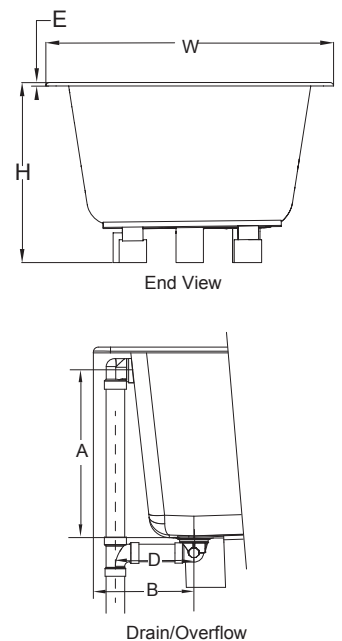
Letter	Description	SOAKING	PURE AIR® BATH	WHIRLPOOL	SALON® SPA	Each component requires a separate, dedicated GFCI protected circuit	
-	Drain/Motor Location	Center Drain/Right Side Motor And/Or Blower					
-	Cutout Template	Template Provided P/N DA07000					
-	Total Weight	1143 lbs (518 kg)	1182 lbs (536 kg)	1195 lbs (542 kg)	1220 lbs (533 kg)		
-	Floor Loading	59 lb/ft ² (290 kg/m ²)	61 lb/ft ² (300 kg/m ²)	62 lb/ft ² (303 kg/m ²)	63 lb/ft ² (309 kg/m ²)		
-	Operating Gallons (Max)	97 gallons (367.1 liters)					
-	Product Weight	85 lbs (39 kg)	124 lbs (56 kg)	137 lbs (62 kg)	162 lbs (73 kg)		
-	Soaking Depth	17.5" (444.50 mm)					
L	Outer Length	66" (1676 mm)					
W	Outer Width	42" (1067 mm)					
H	Overall Height	26" (660 mm)					
A	Overflow Height	17.9" (455 mm)					
B	Long Edge to Drain Center	11" (279 mm)					
C	Short Edge to Drain Center	33" (838 mm)					
D	Drain Shoe Length	7.25" (184 mm)					
E	Deck Height	0.50" (13 mm)					
F	Deck Width	3.875" (98 mm)					
G	Service Access Dimensions	12" x 18" (305 mm x 457 mm)					
I	Floor Cutout for Drain	12" x 6" (305 mm x 152 mm)					
J	Interior Dimensions (bottom of bath) L x W	43" x 28" (1092 mm x 711 mm)					

Model with components		GFCI Outlet (60Hz)
SOAKING	Soaker only	None
	Soaker w/ Chromatherapy	120V 15A
PURE AIR® BATH	Blower	
	Chromatherapy (if available)	
WHIRLPOOL	Motor/Pump	120V 20A
	Heater (if available)	120V 15A
SALON® SPA	Motor/Pump/ Heater	240V 30A
	Blower	120V 15A

KEY DIMENSIONS [NOTE: The overall dimensions are nominal with a tolerance of +0 and -.25" (6mm).]

 Duetta® Soaking And Pure Air® Bath Models
(Soaking Bath Shown)

 Duetta® Whirlpool And Salon® Spa Models
(Salon® Spa Shown)


All Models



Refer to installation instructions included with fixture before beginning installation. Please confirm product availability and specifications before commencing with any installation work.

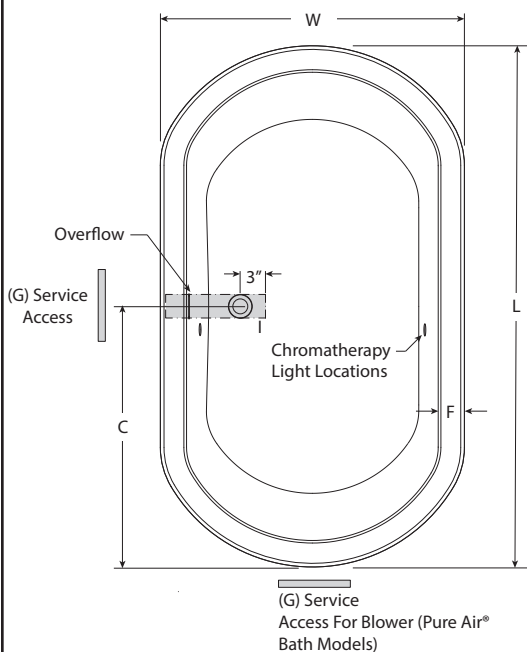
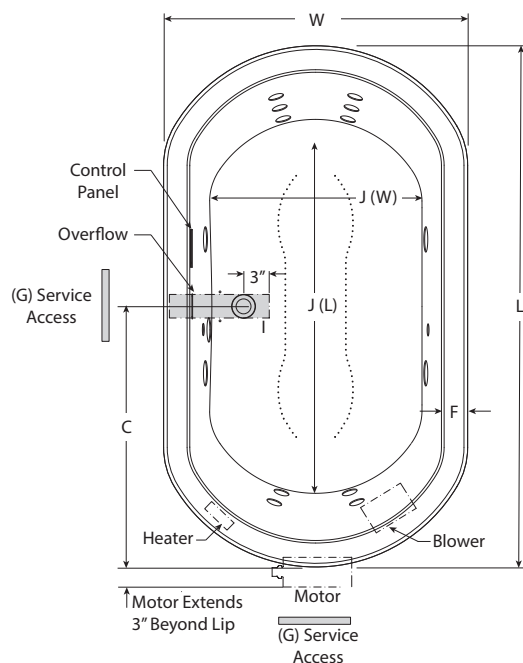
PRODUCT SPECIFICATIONS AND AVAILABILITY ARE SUBJECT TO CHANGE WITHOUT NOTICE

Duetta® - Technical Specifications for 7242 Models

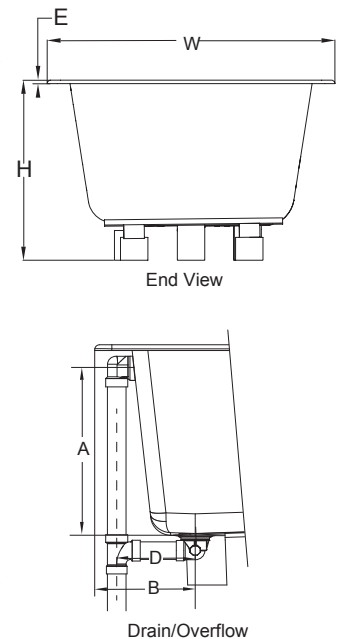
Letter	Description	SOAKING	PURE AIR® BATH	WHIRLPOOL	SALON® SPA	Each component requires a separate, dedicated GFCI protected circuit	
-	Drain/Motor Location	Center Drain/Right Side Motor And/Or Blower					
-	Cutout Template	Template Provided P/N DA06000					
-	Total Weight	1250 lbs (567 kg)	1300 lbs (590 kg)	1293 lbs (586 kg)	1320 lbs (599 kg)		
-	Floor Loading	60 lb/ft ² (291 kg/m ²)	62 lb/ft ² (302 kg/m ²)	62 lb/ft ² (301 kg/m ²)	63 lb/ft ² (307 kg/m ²)		
-	Operating Gallons (Max)	108 gallons (408.8 liters)					
-	Product Weight	100 lbs (45 kg)	150 lbs (68 kg)	143 lbs (65 kg)	170 lbs (77 kg)		
-	Soaking Depth	17.5" (444.50 mm)					
L	Outer Length	72" (1829 mm)					
W	Outer Width	42" (1067 mm)					
H	Overall Height	26" (660 mm)					
A	Overflow Height	17.9" (455 mm)					
B	Long Edge to Drain Center	11" (279 mm)					
C	Short Edge to Drain Center	36" (914 mm)					
D	Drain Shoe Length	7.25" (184 mm)					
E	Deck Height	0.50" (13 mm)					
F	Deck Width	3.875" (98 mm)					
G	Service Access Dimensions	12" x 18" (305 mm x 457 mm)					
I	Floor Cutout for Drain	12" x 6" (305 mm x 152 mm)					
J	Interior Dimensions (bottom of bath) L x W	49" x 28" (1245 mm x 711 mm)					

Model with components		GFCI Outlet (60Hz)
SOAKING	Soaker only	None
	Soaker w/ Chromatherapy	120V 15A
PURE AIR® BATH	Blower	
	Chromatherapy (if available)	
WHIRLPOOL	Motor/Pump	120V 20A
	Heater (if available)	120V 15A
SALON® SPA	Motor/Pump/Heater	240V 30A
	Blower	120V 15A

KEY DIMENSIONS [NOTE: The overall dimensions are nominal with a tolerance of +0 and -.25" (6mm).]

 Duetta® Soaking And Pure Air® Bath Models
(Soaking Bath Shown)

 Duetta® Whirlpool And Salon® Spa Models
(Salon® Spa Shown)


All Models



Refer to installation instructions included with fixture before beginning installation. Please confirm product availability and specifications before commencing with any installation work.

PRODUCT SPECIFICATIONS AND AVAILABILITY ARE SUBJECT TO CHANGE WITHOUT NOTICE