

TECHNICAL SPECIFICATIONS

Nova™ 5 Pure Air® II Bath

NOV6042 ALR 2XX Nova 5 Pure Air® II Bath Left Hand (EA00)



INSTALLATION NOTES

Refer to installation instructions included with fixture before beginning installation. Please confirm product availability and specifications before commencing with any installation work.

PRODUCT SPECIFICATIONS AND AVAILABILITY ARE SUBJECT TO CHANGE WITHOUT NOTICE.

KEY DIMENSIONS

DIMENSIONS

60" L x 42" W x 18-1/2" H
(1524 mm) L x (1067 mm) W x (470 mm) H

DRAIN/OVERFLOW

A: 14-3/4" (375 mm) B: 8-1/2" (216 mm)

CUTOUT

58" x 40" (1473 mm x 1016 mm)

TOTAL WEIGHT

750 lb (340 kg) / 43 lb/ft² (210 kg/m²)

OPERATING GALLONAGE

Min. 35 U.S. Gal. (133 Liters)

Max. 54 U.S. Gal. (204 Liters)

PRODUCT WEIGHT

97 lb (44 kg)

SKIRT MOUNTING

Optional, U-Frame

ELECTRICAL SPECIFICATIONS

Requires a dedicated GFCI protected separate circuit.

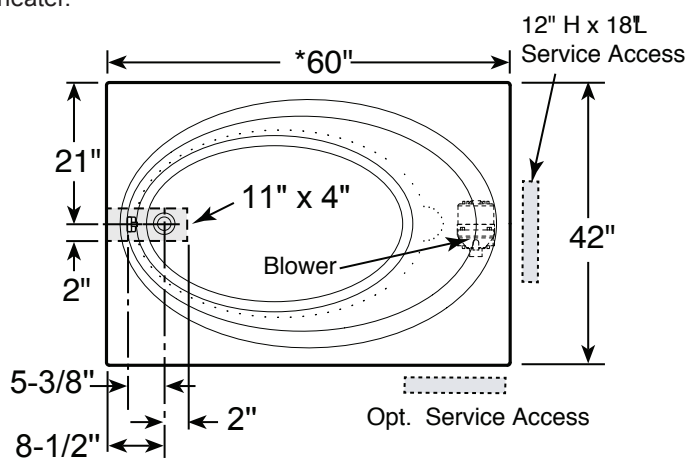
Blower: 120 VAC, 15 AMP, 60 Hz.

HEATER

No water heater is available on this unit. Blower has integral air heater.

FEATURES, UPGRADES & ACCESSORIES

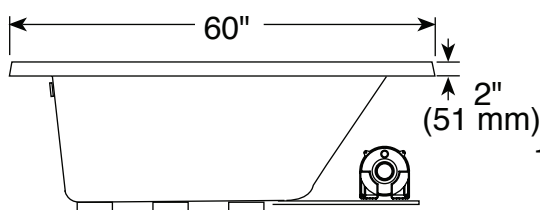
- Left Hand Drain Location
- Accessories / Hardware:
 - Trip-Lever Drain Kit #X559
 - Rotary Drain Kit, 26" Cable #8730
- Trim Kit Finishes Available:
 - (827) – Chrome
 - (826) – Brushed Nickel
 - (849) – Oil Rubbed Bronze



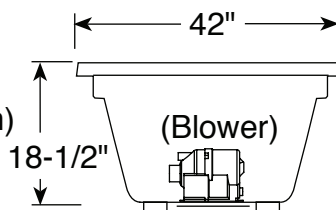
Product Shown: Nova 5 Pure Air II Bath Left Hand Model: EA00

* Measurements inside unit represent cutout in floor to allow for drain/overflow.

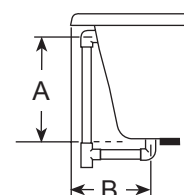
Minimum Service Access dimensions given.



SIDE VIEW



END VIEW



DRAIN/OVERFLOW