

Nova® 6042 Whirlpool and Soaking Bathtubs

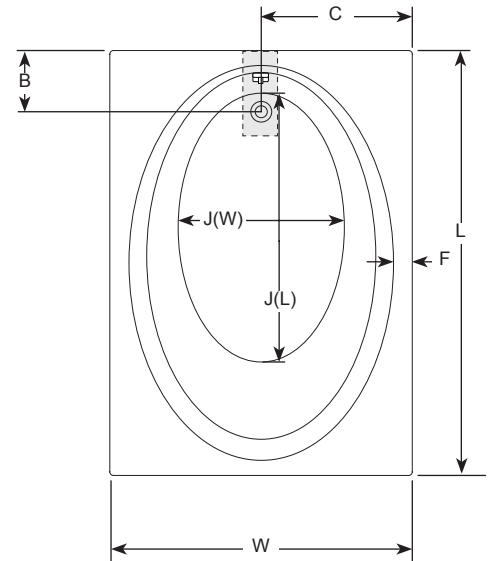
Letter	Description	Whirlpool	Soaking
-	Drain Location	Right Hand / Left Hand	End
-	Whirlpool Pump Location	Opposite end of drain location	N/A
-	Cutout	58.00" x 40.00" (1473 mm x 1016 mm)	
-	Total Weight	800 lb (363 kg)	774 lb (351 kg)
-	Floor Loading	46 lb/ft ² (225 kg/m ²)	44 lb/ft ² (215 kg/m ²)
-	Operating Gallons (Min/Max)	42Gal (159 L) / 54 Gal (204 L)	
-	Product Weight	100 lb (45 kg)	74 lb (34 kg)
L	Outer Length	60.00" (1524 mm)	
W	Outer Width	42.00" (1069 mm)	
H	Overall Height	18.50" (470 mm)	
A	Overflow Height	17.50" (445 mm)	
B	Long Edge to Drain Center	8.50" (216 mm)	
C	Short Edge to Drain Center	21.00" (533 mm)	
D	Drain Shoe Length	6.50" (165 mm)	
E	Deck Height	2.00" (51mm)	
F	Deck Width	2.00" (51 mm)	
G	Service Access Dimensions	12.00" x 18.00" (305mm x 457mm)	N/A
I	Floor Cutout for Drain	12.00 x 4.00" (305 mm x 102 mm)	
J	Interior Dimensions (JW x JL)	27.00" x 41.00" (686 mm x 1041 mm)	

NOTE

The overall dimensions are nominal with a tolerance of +0 and -.25" (6mm).

Electrical Specifications

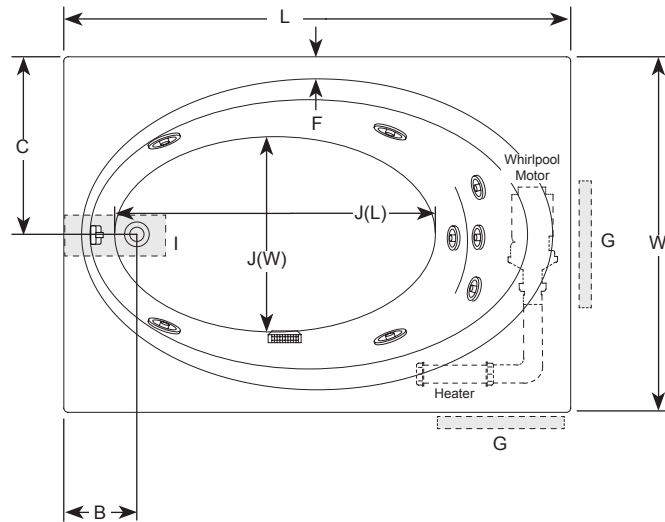
(Each component requires a separate, dedicated GFCI protected circuit)
 Motor/Pump 120V 15A 60HZ
 Heater (optional) 120V 15A 60HZ



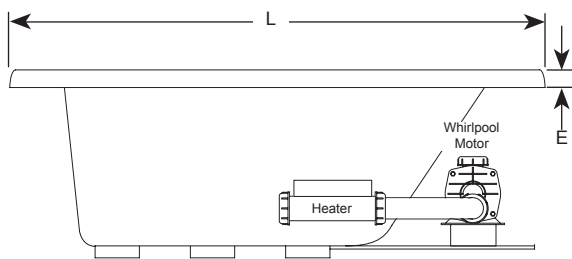
Soaking Bathtub

Key Dimensions

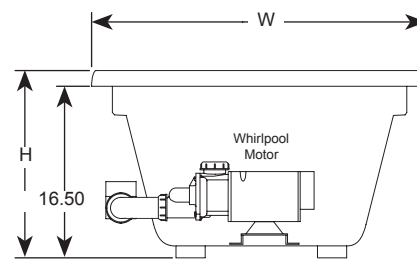
(Left End Drain / Right Side Whirlpool Pump shown)



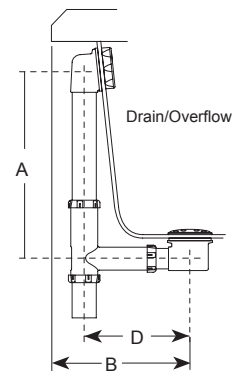
*Deck width reflects only area indicated on detail.



Side View



End View



NOTE: Drawings not to scale.