

## TECHNICAL SPECIFICATIONS



# Luxura® 5 Pure Air II Bath with Integral Skirt

LXS6032 ALR 2XX Luxura 5 Pure Air II Bath with Integral Skirt Left Hand (EA50)  
 LXS6032 ALR 2XXX Luxura 5 Pure Air II Bath with Integral Skirt Right Hand (EA60)

### INSTALLATION NOTES

Refer to installation instructions included with fixture before beginning installation. Please confirm product availability and specifications before commencing with any installation work.

PRODUCT SPECIFICATIONS AND AVAILABILITY ARE SUBJECT TO CHANGE WITHOUT NOTICE.

## KEY DIMENSIONS

### DIMENSIONS

60" L x 32" W x 20-1/4" H  
 (1524 mm) L x (813 mm) W x (514 mm) H

### DRAIN/OVERFLOW

A: 15-1/4" (387 mm) B: 8-1/4" (210 mm)

### CUTOUT

Not Applicable

### TOTAL WEIGHT

707 lb (321.4 kg) / 53 lb/ft<sup>2</sup> (24 kg/m<sup>2</sup>)

### OPERATING GALLONAGE

Min. 39 U.S. Gal. (148 Liters)

Max. 50 U.S. Gal. (189 Liters)

### PRODUCT WEIGHT

117 lb (53 kg)

### SKIRT MOUNTING

Integral

### ELECTRICAL SPECIFICATIONS

Requires a dedicated GFCI protected separate circuit.

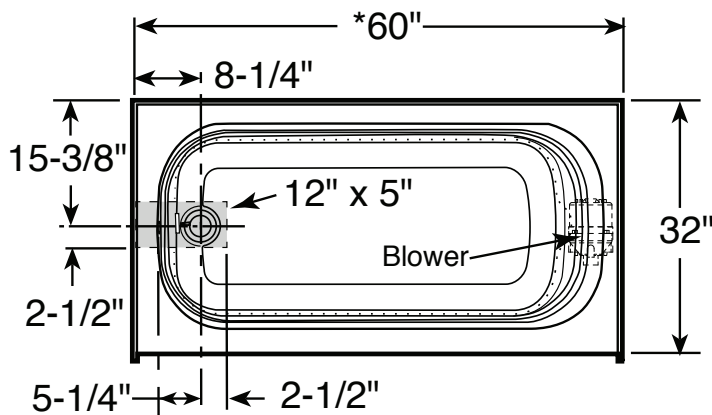
Blower: 120 VAC, 15 AMP, 60 Hz.

### HEATER

No water heater is available on this unit. Blower has integral air heater.

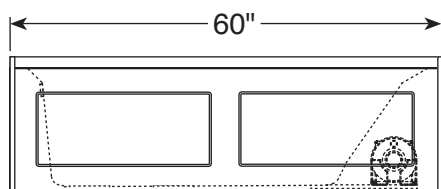
## FEATURES, UPGRADES & ACCESSORIES

- Right and Left Hand Drain Location
- Accessories / Hardware:
  - Trip-Lever Drain Kit #X559
  - Rotary Drain Kit, 26" Cable #8730
- Trim Kit Finishes Available:
  - (827) – Chrome
  - (898) – Brushed Chrome
  - (815) – Satin Nickel
  - (829) – Bright Brass
  - (805) – Platinum
  - (826) – Brushed Nickel
  - (845) – Oil Rubbed Bronze

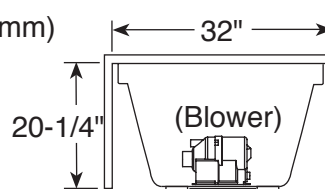


Product Shown: Luxura 5 Pure Air II Bath with Integral Skirt Left Hand Model: EA50

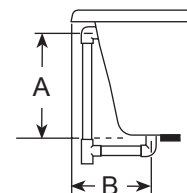
\* Measurements inside unit represent cutout in floor to allow for drain/overflow.



SIDE VIEW



END VIEW



DRAIN/OVERFLOW