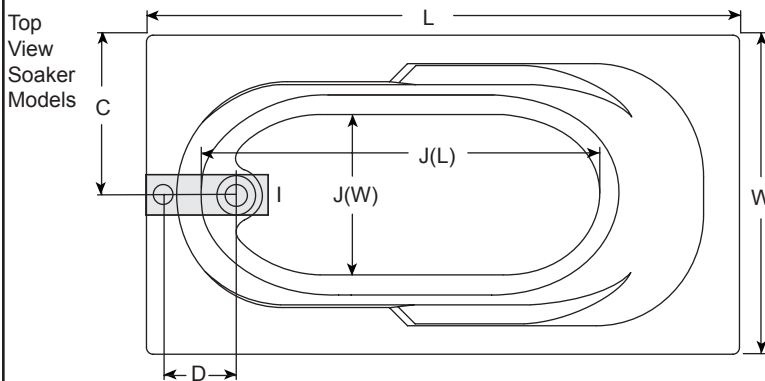
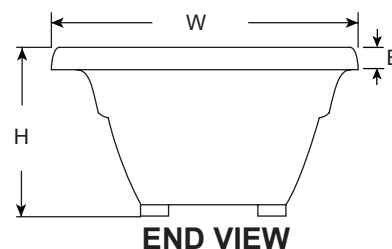
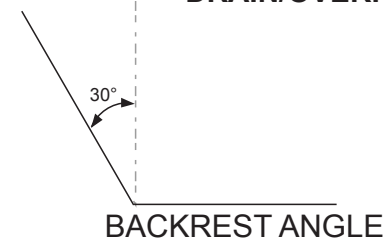
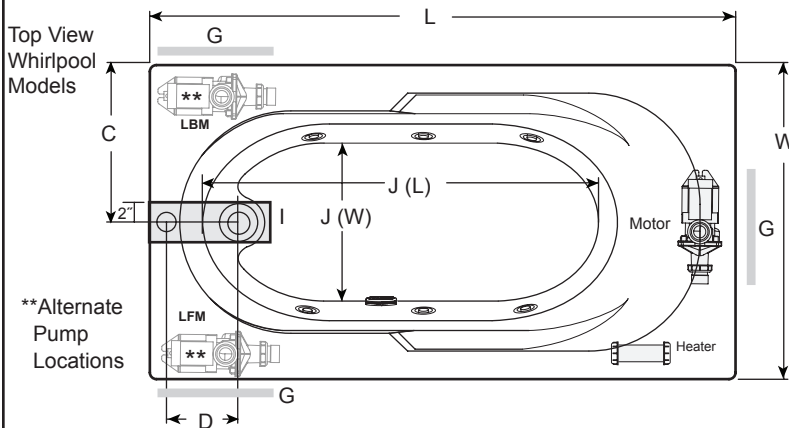
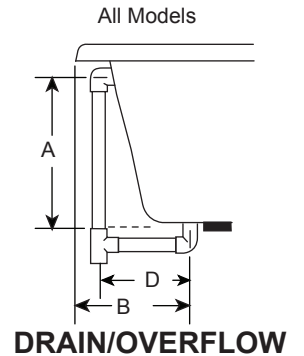


Signature™ Collection Rectangle Drop-in Soaker and Whirlpool Bathtubs

Letter	Description	SOAKER MODELS			WHIRLPOOL MODELS			WIHIRLPOOL MODELS
		J2D6032B	J2D6036B	J2D7236B	J2D6032W	J2D6036W	J2D7236W	
-	Drain/Motor Location	LH / RH Drain			LH / RH Drain & Right or Left Side Motor			Each component requires a separate, dedicated GFCI protected circuit
-	Cutout	58" x 30" (1473 mm x 762 mm)	58" x 34" (1473 mm x 864 mm)	70" x 34" (1778 mm x 864 mm)	58" x 30" (1473 mm x 762 mm)	58" x 34" (1473 mm x 864 mm)	70" x 34" (1778 mm x 864 mm)	
-	Total Weight	678 lbs (307 kg)	752 lbs (341 kg)	790 lbs (358 kg)	697 lbs (316 kg)	766 lbs (347 kg)	805 lbs (365 kg)	Model with components
-	Floor Loading	51.2 lb/ft ² (250 kg/m ²)	50.7 lb/ft ² (247 kg/m ²)	44.5 lb/ft ² (217 kg/m ²)	52.6 lb/ft ² (257 kg/m ²)	51.7 lb/ft ² (252 kg/m ²)	45.4 lb/ft ² (222 kg/m ²)	
-	Operating Gallons (Max)	46 gallons (174 liters)	54 gallons (204 liters)	58 gallons (220 liters)	46 gallons (174 liters)	54 gallons (204 liters)	58 gallons (220 liters)	Motor/Pump
-	Product Weight	45 lbs (20 kg)	52 lbs (24 kg)	57 lbs (26 kg)	64 lbs (29 kg)	66 lbs (30 kg)	72 lbs (33 kg)	
-	Soaking Depth	14.5" (368 mm)	13.8" (351 mm)		14.5" (368 mm)	13.8" (351 mm)		
L	Outer Length	60" (1524 mm)		72" (1829 mm)	60" (1524 mm)		72" (1829 mm)	Heater (if available)
W	Outer Width	32" (813 mm)	36" (914 mm)		32" (813 mm)	36" (914 mm)		
H	Overall Height	19.25" (489 mm)			19.25" (489 mm)			
A	Overflow Height	15.25" (387 mm)	15.37" (391 mm)		15.25" (387 mm)	15.38" (391 mm)		
B	Long Edge to Drain Center	8.62" (219 mm)		9.50" (241 mm)	8.63" (219 mm)		9.50" (241 mm)	
C	Short Edge to Drain Center	16" (406 mm)	18" (457 mm)		16" (409 mm)	18" (457 mm)		
D	Drain Shoe Length	6.50" (165 mm)		10.13" (257 mm)	6.50" (165 mm)		10.13" (257 mm)	
E	Deck/Flange Height	2" (51 mm)			2" (51 mm)			
F	Deck Width	3" (76 mm)			3" (76 mm)			
G	Service Access Dimensions	N/A			12" x 18" (305 mm x 457 mm)			
I	Floor Cutout for Drain	12" x 4" (305 mm x 102 mm)			12" x 4" (305 mm x 102 mm)			
J	Interior Dimensions (bottom of bath) J(L) x J(W)	41" x 19" (1041 mm x 483 mm)	41" x 23" (1041 mm x 584 mm)	52.5" x 22" (1334 mm x 559 mm)	41" x 19" (1041 mm x 483 mm)	41" x 23" (1041 mm x 584 mm)	52.5" x 22" (1334 mm x 559 mm)	

KEY DIMENSIONS* [NOTE: The overall dimensions are nominal with a tolerance of +0 and -.25" (6mm).]

NOTE

When ordering integral 3-tile flange (J2T), flange height on 3-tile flange is 1.25" (32mm) from deck.



NOTE: Drawings not to scale.