



SHOWER BASES

INSTALLATION AND OPERATION INSTRUCTIONS

Jacuzzi Luxury Bath

14525 Monte Vista Avenue
Chino, CA 91710
1-800-288-4002
www.jacuzzi.com



Contents

Contents 2

Product Information 2

Shower Base Installation Instructions..... 3

Clean Up After Installation 6

Warranty 7

Warranty Registration Card 7

*For Spanish and French installation instructions, please visit www.jacuzzi.com/baths/support/owners-manuals/.
 Para instrucciones de instalación en español, por favor visite www.jacuzzi.com/baths/support/owners-manuals/.
 Pour directives d'installation en français canadien, veuillez visiter www.jacuzzi.com/baths/support/owners-manuals/.*

Product Information

NOTE

Save these instructions for future use. Use the form below to record your model and serial number for future reference.

Date Purchased _____

Purchased From _____

Installed By _____

Serial Number _____

Model _____

Installer: Leave the manual for the homeowner.

Homeowner: Read this manual and keep for future reference.

Shower Base Installation Instructions

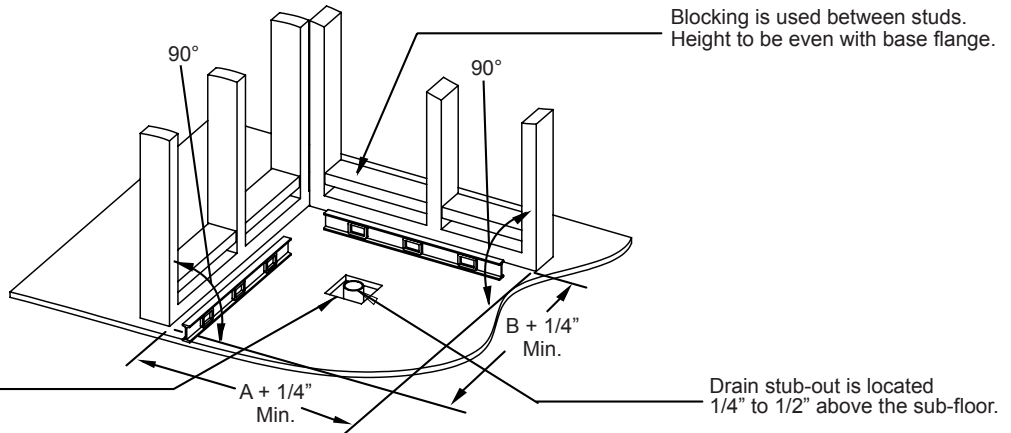
- 1 Remove the shower base from the carton. Do not destroy the shipping carton until after satisfactory inspection of the product. Should initial inspection reveal any damage or defect in the shower finish, do not install the shower base. Jacuzzi Luxury Bath's responsibility for shipping damage ceases upon delivery of the product in good order to the carrier. Refer any claims of damage to the carrier. Any damage or defect claimed after installation is excluded from the warranty. Jacuzzi is not responsible for any defect or damage that could have been discovered, repaired, or avoided by following this inspection and testing procedure.
- 2 Plan the installation in relation to the finished wall surfaces. Take into account the dimensions of both the shower base and the door enclosure. Install the optional trim parts after all other installation is completed.
- 3 Provide a minimum 5" x 5" opening in the subfloor. The opening should be located on the center lines (\mathcal{C}) of the base drain hole. Refer to technical product specifications which can be found at www.jacuzzi.com/baths/support/specs-and-manuals/. The opening is to accommodate a 2" waste pipe. The waste pipe should be 1/4" to 1/2" above the surface of the subfloor, see Figure 1. If the subfloor is level, no other preparation is necessary. Proceed to install the base. If the subfloor is not level, level the shower base by spreading a floor-leveling compound, mortar, plaster, or minimal expansion structural foam with a density of 5 pounds per cubic foot (lb/ft³) minimum, see Figure 2 (page 4).

NOTE: The compound must make contact with the entire bottom surface of the base feet. The base is not to be supported by the base flange. Both sides of a joint or splice of sub-floor should be level to each other.

Figure 1

Neo-Angle Rough-In
(See technical product specifications on www.jacuzzi.com/baths for proper size of alcove and drain location.)

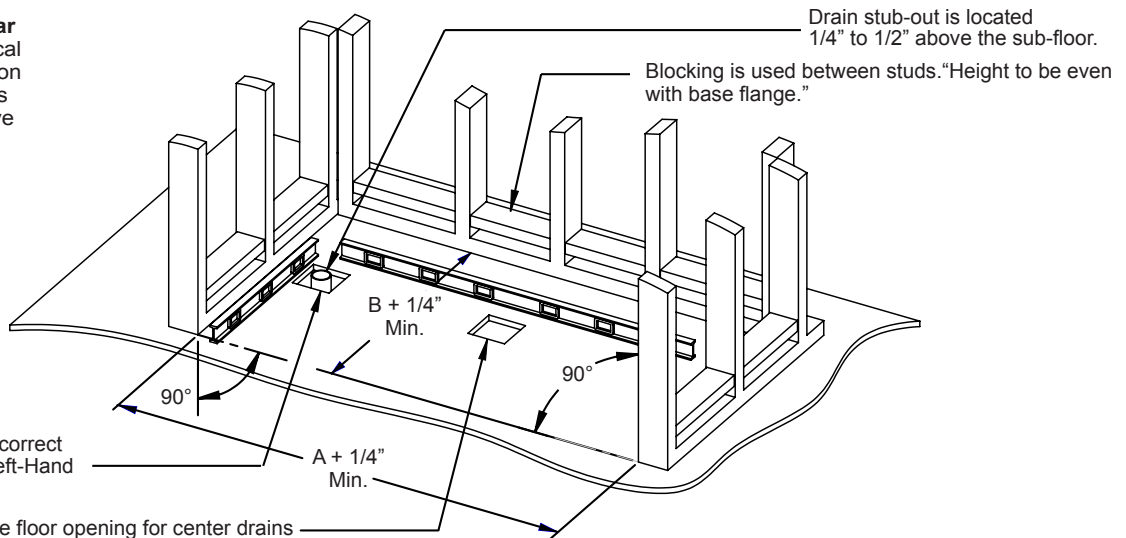
*5" x 5" Floor Opening
Refer to your model for correct location.



*Note: Be sure floor opening matches the bath fixture drain location.

Square or Rectangular Rough-In (See technical product specifications on www.jacuzzi.com/baths for proper size of alcove and drain location.)

*5" x 5" Floor Opening
Refer to your model for correct location. (Shown with Left-Hand Drain Location).



*Alternate floor opening for center drains

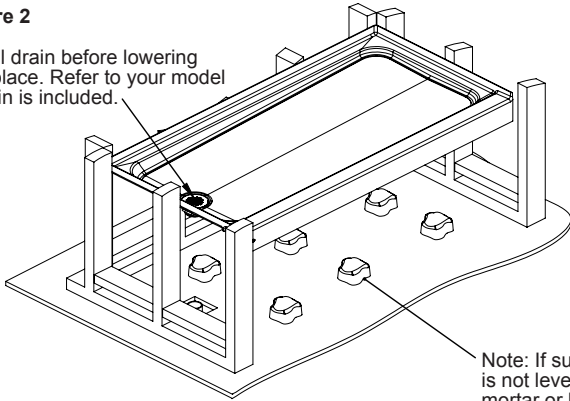
*Note: Be sure floor opening matches the bath fixture drain location.

Shower Base Installation Instructions (Continued)

- 4** Install the shower drain in accordance to the drain manufacturer's recommendations, see Figure 2. Position and install the shower base over the drain, see Figure 2. With the drain fitting passing over the center of the drain pipe, lower the shower base carefully into place. Push down firmly until the base is in place. Check the level of the base in two directions, see Figure 3.

Figure 2

Install drain before lowering into place. Refer to your model if drain is included.

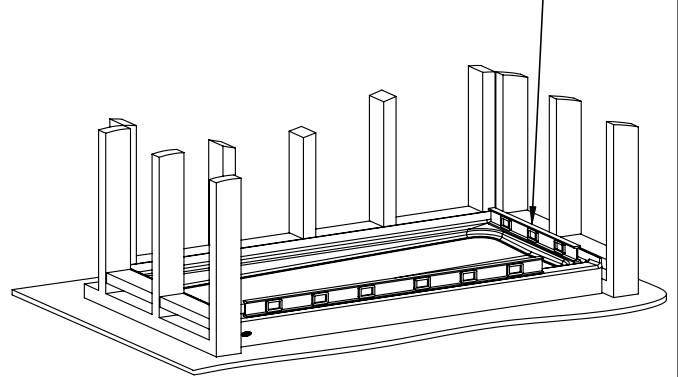


Note: The compound must make contact with the entire bottom surface of the shower base. The shower base is not to be supported by the base flange.

Note: If sub-floor is not level, use mortar or leveling compound. Spread evenly over the entire area.

Figure 3

For front to back leveling, if level extends to the front dam, shim may be necessary at the back of the base as the front dam is higher.

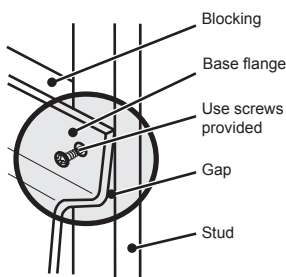


CAUTION Do not lift a corner to level the base. This will result in loss of contact with the mortar.

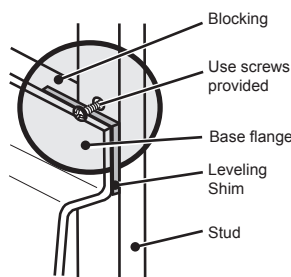
- 5** Attach the shower base flange to the stud wall and blocking with the stainless-steel screws provided. Use a minimum of three screws per flange section, see Figure 4. If there is a gap between the base flange and the stud or blocking, a shim must be used to prevent distortion or cracking of the flange.

CAUTION Use the stainless-steel screws provided.

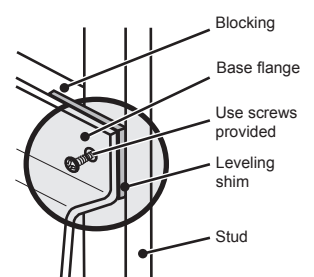
Figure 4



INCORRECT



INCORRECT



CORRECT

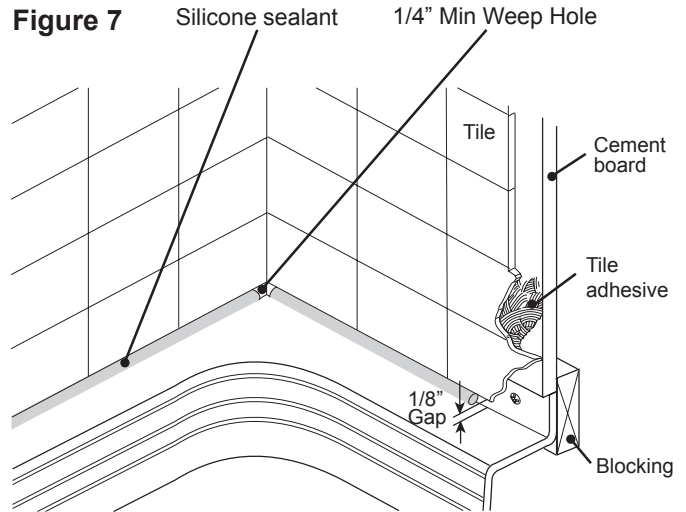
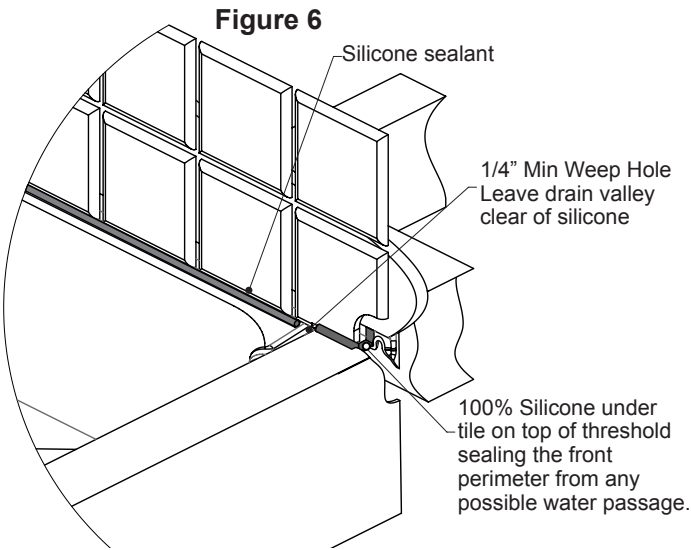
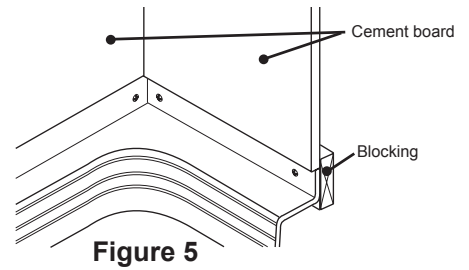
IMPORTANT If there is any gap between the base flange and stud or blocking, shims must be used.

- 6** Tighten the drain as directed by the instructions that came with the drain kit. After the drain is fully installed, test for proper drainage.

CAUTION If the shower base does not drain properly, correct this condition before proceeding with the installation. Watertight installation is the installer's responsibility, as drain leakage is excluded from the Warranty. Jacuzzi is not responsible for reinstatement costs.

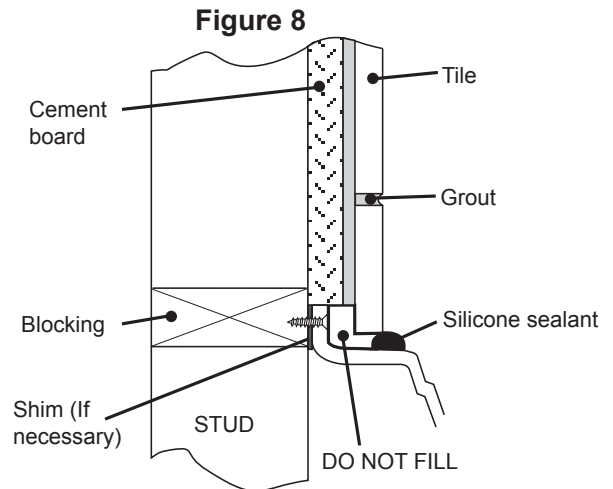
Shower Base Installation Instructions (Continued)

- 7** Replace the strainer, if your drain kit came with one, and tape over the drain hole to prevent finishing material from entering the drain. Place a cement board or equivalent on top of the shower base flange and secure to studwall, see Figure 5.
- 8** Apply tile, or other finishing material, leaving a 1/8" gap between the finishing material and the flange lip of the shower base, see Figure 7. Seal this gap with a silicone sealant. Leave a minimum 1/4" weep hole at the back and front corners of the shower base, see Figures 6 and 7. Add 100% silicone under the tile and backer board on top of the threshold only, see Figure 6. Refer to local building codes for proper finishing or other trades.



CAUTION The weep holes are necessary to allow drainage from leakage through an unsealed tiled grout.

- 9** Filling the area marked "Do Not Fill" in Figure 8, will prevent moisture from draining back to the base through the weep holes, see Figure 8. Such moisture is due to leakage through the tile grout. Sealing the tile grout will prevent this leakage.





Clean Up After Installation

- The acrylic finish will give long-lasting beauty when properly maintained. To avoid dulling and scratching of the finish, never use abrasive cleaners or harsh chemicals. A mild liquid detergent and warm water will clean soiled surfaces.
- Remove spilled plaster with a wood or plastic edge. Metal tools will scratch the surface. Spots left by plaster or grout can be removed if lightly rubbed with a mild detergent and a damp cloth or sponge.
- Minor scratches that do not penetrate the color finish can be removed by lightly sanding the surface with a 600-grit, wet-dry sandpaper. To restore the glossy finish, use a special compound like Meguiar's No. 10 Mirror Glaze. If it is not available, use an automotive rubbing compound followed by an application of automotive paste wax.
- Major scratches and gouges that penetrate the acrylic surface may require refinishing. Ask your Jacuzzi Luxury Bath dealer for special instructions.

Specifications Subject To Change Without Notice

Jacuzzi Luxury Bath has obtained applicable code (standards) listings generally available on a national basis for products of this type. It is the responsibility of the installer/owner to determine specific local code compliance prior to installation of the product. Jacuzzi Luxury Bath makes no representation or warranty regarding, and will not be responsible for any code compliance.



Jacuzzi Luxury Bath Limited Warranty Acrylic Shower Base

WARRANTY COVERAGE

Jacuzzi Luxury Bath ("Company") offers the following limited warranty to the original purchaser of any Jacuzzi Luxury Bath acrylic shower base ("unit") who purchases the product for personal or single family use ("user"). Company will repair or replace, at its option, the unit or options and accessories referenced below in accordance with the following terms and conditions. Units in commercial use are excluded from any warranty coverage whatsoever. PLEASE READ THIS ENTIRE LIMITED WARRANTY, AS EXCLUSIONS AND CONDITIONS APPLY.

ONE YEAR LIMITED WARRANTY ON ACRYLIC SHOWER BASE

Jacuzzi Luxury Bath warrants shower bases against defects in material or workmanship for one (1) year. Warranty coverage begins on the date the unit was originally purchased by the user.

NINETY DAY (PARTS ONLY) LIMITED WARRANTY ON OPTIONS AND ACCESSORIES

Jacuzzi Luxury Bath warrants drain options and accessories manufactured by Company and purchased with a Jacuzzi® shower base against defects in material or workmanship for ninety (90) days for parts only. Warranty coverage begins on the date the option or accessory was originally purchased by the user.

EXCLUSION OF IMPLIED WARRANTIES, WARRANTY LIMITATIONS AND EXCLUSIONS

IMPLIED WARRANTIES OF MERCHANTABILITY AND FITNESS FOR A PARTICULAR PURPOSE ARE DISCLAIMED ALTOGETHER OR TO THE FULLEST EXTENT ALLOWED BY LAW. This Limited Warranty takes the place of all other warranties, express or implied, in fact or at law, including implied warranties of merchantability and fitness for a particular purpose. All warranty service must be performed by Company or its designated representative using authorized Jacuzzi® parts. No agent, dealer, distributor, service company or other party is authorized to change, modify or extend the terms of this limited warranty in any manner whatsoever. Company will not be responsible for any statements or representations made in any form that go beyond, are broader than, or are inconsistent with any authorized literature or specifications furnished by Jacuzzi Luxury Bath. Our limited warranty does not cover defects, damage, or failure caused by the common carrier, installer, user, or other person, or resulting from, without limitation, any of the following: careless handling (e.g., improper lifting of unit, abrading finish, etc.); modification of any type for any reason (including modification to meet local codes); improper installation and/or use (including, but not limited to, installation and/or use not in accordance with instructions and specifications provided with the unit); connections supplied by the installer of the equipment; misuse; incorrect operation, or lack of proper routine maintenance; use of abrasive or improper cleaners; or acts of God, such as lightning, floods, earthquakes, etc.

In addition, COMPANY WILL NOT BE RESPONSIBLE FOR INCIDENTAL OR CONSEQUENTIAL DAMAGES or losses arising from any cause (e.g., water damage to carpet, ceiling, loss of use, etc.) including its own negligence; damages to, respecting, or resulting from: plated parts when chemicals are used in the unit; optional equipment not manufactured by Company but supplied by Dealer, installer or Company; the unit's prior usage as an operational display; or defects that should have been discovered before installation. This exclusion applies even if Company was advised in advance of the possibility of such damages.

This limited warranty does not include: labor, transportation, or other costs incurred in the removal and/or reinstallation of the original unit and/or installation of a replacement unit; any costs relating to obtaining access for repair; or loss of use of the product and cost for removal of defective product, including water damage, loss of profit or business advantage of any kind under any circumstances. Units in commercial use are excluded from any warranty coverage whatsoever. The liability of Company under this limited warranty, if any, shall not exceed the original amount paid for the defective product. Dated proof of purchase of unit is required for a warranty claim. These disclaimers shall be equally applicable to any service provided by Company and its designated representatives.

Warranty coverage is provided only in the United States of America and Canada.

LEGAL RIGHTS: This Limited Warranty gives you specific legal rights. There are no warranties applicable to Jacuzzi® products except as expressly stated herein or as implied by applicable state and federal laws. You may also have other rights that vary from state to state. Some states do not allow limitations on how long an implied warranty lasts, disclaimer of certain warranties, or the exclusion or limitation of incidental damages, so some of the above limitations may not apply to you. Company will not be responsible for any statements or representations made in any form that go beyond, are broader than or are inconsistent with any authorized literature or specifications furnished by Company.

RETURN OF WARRANTY CARD

The attached pre-addressed Warranty Registration Card MUST be filled out by the purchaser within thirty (30) days from purchase and mailed to Jacuzzi Luxury Bath in order for this warranty to become effective.

Jacuzzi Luxury Bath Shower Base



Jacuzzi Luxury Bath
14525 Monte Vista Avenue
Chino, California 91710



RESPONSIBILITIES OF OTHERS

Inspecting the unit prior to installation is the responsibility of the installer or building contractor who acts on behalf of the user. They are responsible for ensuring the unit is free of defect or damage. Notices are placed on and in the unit and on the shipping carton advising the installer of this responsibility. In the event of a problem, the unit must not be installed. The Company is not responsible for failures or damage that could have been discovered, repaired, or avoided by proper inspection and testing prior to installation.

Damage occurring in transit is the responsibility of the carrier. The user or installer MUST open the crates and inspect the unit for damage when it is delivered. If damage is discovered, it must be reported immediately to the seller and the carrier in writing, and an inspection requested. Failure of the carrier to respond should be reported to the seller and the carrier. Your freight claims should be filed promptly thereafter.

It is the responsibility of the installer, building contractor, or user to provide access for service. The Company is not responsible for any costs relating to obtaining access for repair. The user shall bear such costs and, if appropriate, must seek recovery from the installer.

Damage occurring to the unit during installation is the responsibility of the installer and/or building contractor and damage occurring thereafter is the responsibility of the user.

Failure of any optional equipment is the sole responsibility of the equipment manufacturer. (Options and accessories manufactured by the Company are warranted for ninety (90) days from the original date of purchase for parts only.)

The Distributor or Dealer is responsible for knowing local code requirements and notifying the installing contractor and/or user of these requirements at the time of purchase. The Company is not responsible for costs to modify any product to obtain any code approval, such as city, county, or state building codes in U.S.A. or municipal or provincial codes in Canada.

WARRANTY SERVICE

For the customer's benefit, the Company maintains a list of independent service personnel to perform required warranty service repairs. Such firms are not agents or representatives of the Company and cannot bind the Company by words or conduct.

The Company will provide the warranty service described above when the following conditions have been met: the failure is of the nature or type covered by the warranty; the user has informed an Authorized Jacuzzi Luxury Bath Service Agent or Warranty Service Department Representative of the nature of the problem during the warranty period; conclusive evidence (e.g., proof of purchase or installation) is provided to the foregoing by the user proving that the failure occurred or was discovered within the warranty period; an authorized independent service person or Company representative has been permitted to inspect the unit during regular business hours within a reasonable time after the problem was reported by the user.

In order to obtain warranty service, consult your local telephone book for the location of the nearest Jacuzzi Luxury Bath Authorized Service Agent. Describe the problem and the Authorized Service Agent will inspect the unit and provide the required warranty service.

If you are unable to contact a Jacuzzi Luxury Bath Authorized Service Agent, call or write:

Jacuzzi Luxury Bath

14525 Monte Vista Avenue

Chino, California, 91710

Call: 800-288-4002

To obtain warranty replacement for factory-installed components or Company supplied options and accessories manufactured and supplied by the Company, call or write the above. Provide a description of the problem and proof of purchase. You will be instructed how to obtain replacements and where to return, at your expense, the failed component(s), option(s), or accessory(ies).

All replacement parts, equipment, and repairs shall assume the remaining warranty period of the part(s) replaced.

The Company's warranty obligation shall be discharged upon tender of replacement or repair. The customer's refusal to accept the tender terminates the Company's warranty obligation.

| |
|--|
| Ninety-Day Parts Only Limited Warranty On Accessory(ies) |
|--|

This card must be filled out and returned to the address printed on the other side within thirty (30) days from date of purchase in order for this warranty to become effective.



Warranty Registration Card

Purchaser's Name _____

Purchaser's Address _____ State _____ Zip _____

City _____

Date of Purchase _____

Model Name _____

Serial Number _____

Dealer's Name _____

Dealer's Address _____

- How did you first hear about this Jacuzzi® product?
 - Advertisement () Article in Magazine/Newspaper
 - Visited Dealer/Plumbing Supplier () Yellow Pages
 - Builder/Plumber/Remodeler () Decorator/Architect
 - Visited Retailer/Home Center Store
 - Word of Mouth... Friend/Relative/Acquaintance
 - Other (Please Describe) _____
- Who first gave you specific information about this product (specifications, prices, etc.)?
 - Dealer/Plumbing Supplier () Builder () Remodeler
 - Plumbing Contractor () Retailer/Home Center Store
 - Decorator/Architect () Already Installed
- What was the main reason for purchase?
 - Styling () Warranty Service () Product Features
 - Brand Name () Price () Hydrotherapy
 - Home Resale _____
 - Other _____
- Who finally decided which product you would buy?
 - Self () Spouse () Self and Spouse Together
 - Other Family Member () Designer/Architect
 - Builder/Plumber/Remodeler () Already Installed
- Who installed? () Already installed/New Home
 - Contractor/Plumber when remodeling
 - Self/Spouse when remodeling
 - Other _____
- What is the current market value of this property? _____
- Please estimate \$ _____
- What is the age of the head of the household? _____ years
- What other manufacturers did you consider?
 - Eller () Lasco () Price Pfister () Aqua Glass
 - Kohler () American Standard () Sterling
 - Other (Specify) _____
- How long did you shop before purchasing unit?
 - 1 day () 2 months-6 months
 - 2-7 days () 6 months-1 year
 - 1 week-2 weeks () 1 year-2 years
 - 2 weeks-4 weeks () 2+ years
 - 1 month-2 months _____
- Approximately how long have you lived in this home? _____
- Please indicate, approximately, the total annual income of your household.
 - Up to \$24,999 () \$50,000 to \$74,999
 - \$25,000 to \$29,999 () \$75,000 to \$99,999
 - \$30,000 to \$39,999 () \$100,000 to \$149,999
 - \$40,000 to \$49,999 () \$150,000 and Above
- Was your purchase process?
 - Very easy () Easy () Difficult () Very Difficult

| |
|--|
| Ninety-Day Parts Only Limited Warranty On Accessory(ies) |
|--|



BASE PARA DUCHA

INSTRUCCIONES DE INSTALACION

Jacuzzi Luxury Bath

14525 Monte Vista Avenue
Chino, CA 91710
1-800-288-4002
www.jacuzzi.com

| Contenido | |
|---|----|
| Contenido | 10 |
| Conserve estas instrucciones para uso futuro | 10 |
| Instrucciones de instalación de la base para ducha..... | 11 |
| Limpieza Después de la Instalación | 14 |
| Garantía limitada | 15 |
| Tarjeta de registro de la garantía..... | 15 |

Conserve estas instrucciones para uso futuro.

NOTA

Complete y envíe la tarjeta de registro de producto proveída con las instrucciones.
Escriba y guarde el número de modelo y serie de su unidad abajo

Fecha de compra _____

Comprado a _____

Instalado por _____

Número de serie _____

Número de modelo _____

Instalador: Deje este manual al propietario.

Propietario: Lea este manual y guárdelo para referencia.

Instrucciones de instalación de la base para ducha

- 1 Retire la base para ducha de la caja. No destruya la caja de envío hasta que haya realizado una inspección satisfactoria del producto. En caso de que la inspección inicial revele algún daño o defecto en el acabado, no instale la base para ducha. La responsabilidad de Jacuzzi Luxury Bath por daños durante el transporte finaliza contra entrega del producto en buen estado al transportista. Presente sus reclamos por daños al transportista. Los daños o defectos reclamados después de la instalación están excluidos de la garantía. Jacuzzi no se hace responsable de ningún defecto o daño que pudiera haberse descubierto, reparado o evitado de haberse seguido este procedimiento de inspección y prueba.
- 2 Planifique la instalación en función a las superficies de la pared terminadas. Tenga en cuenta las dimensiones tanto de la base para ducha como del compartimento. Instale los accesorios opcionales después de que haya completado toda la instalación.
- 3 Deje una abertura mínima de 5" x 5" en el contrapiso. La abertura debe estar ubicada en las líneas centrales (☉) del orificio de desagüe de la base. Consulte las especificaciones técnicas del producto en www.jacuzzi.com/baths/support/specs-and-manuals/. La tubería residual debe estar entre 1/4" y 1/2" por encima de la superficie del contrapiso (consulte la Figura 1). Si el contrapiso está nivelado, no es necesario realizar otra preparación. Comience a instalar la base. Si el contrapiso no está nivelado, nivele la base para ducha esparciendo un compuesto nivelador para pisos, mortero, yeso o espuma estructural de mínima expansión que tenga una densidad de un mínimo de 5 libras por pie cúbico (consulte la Figura 2, página 12).

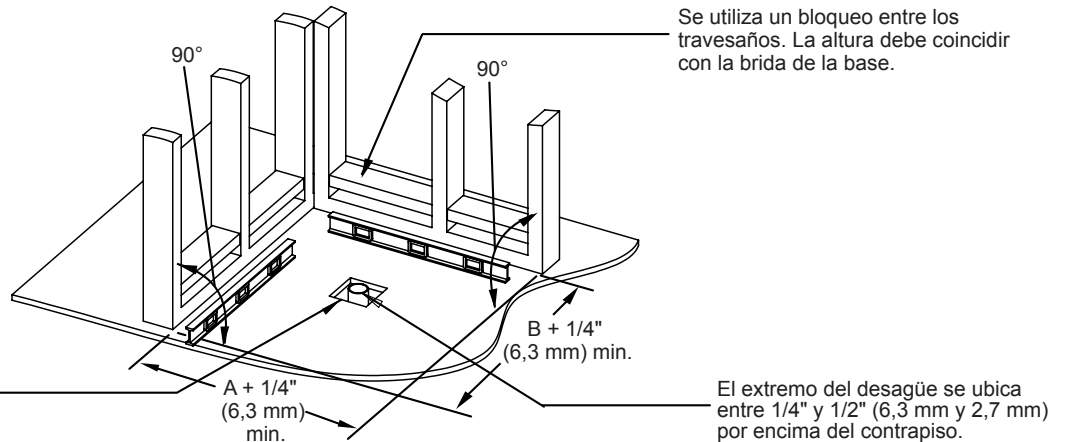
NOTE: The compound must make contact with the entire bottom surface of the base feet. The base is not to be supported by the base flange. Both sides of a joint or splice of sub-floor should be level to each other.

Figura 1

Dimensiones de la ducha de esquina (consulte las especificaciones técnicas del producto en www.jacuzzi.com/baths para obtener información sobre el hueco y la ubicación del desagüe).

*Abertura en el piso de 5" (12,7 cm) x 5" (12,7 cm). Consulte su modelo para conocer la ubicación correcta.

Nota: Asegúrese de que la abertura en el piso coincida con la ubicación del desagüe de la bañera.

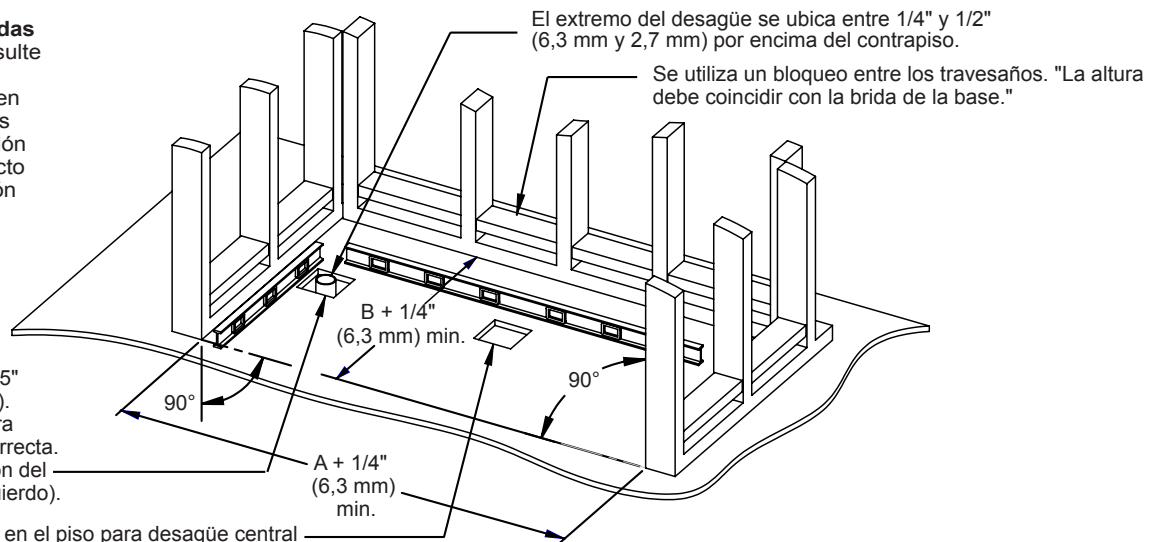


Dimensiones cuadradas o rectangulares (consulte las especificaciones técnicas del producto en www.jacuzzi.com/baths para obtener información sobre el tamaño correcto del hueco y la ubicación del desagüe).

*Abertura en el piso de 5" (12,7 cm) x 5" (12,7 cm). Consulte su modelo para conocer la ubicación correcta. (Vista desde la ubicación del desagüe en el lado izquierdo).

*Abertura alternativa en el piso para desagüe central

Nota: Asegúrese de que la abertura en el piso coincida con la ubicación del desagüe de la bañera.



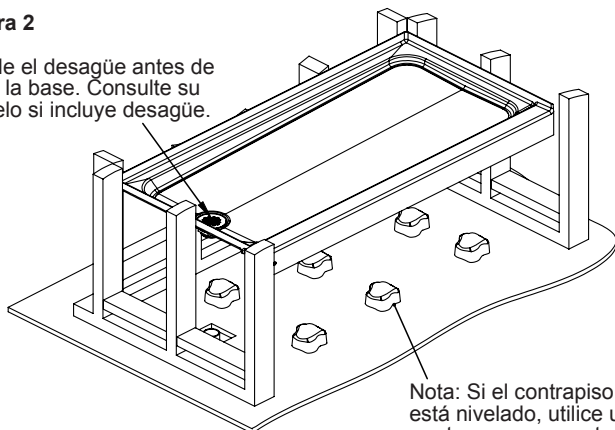
Instrucciones de instalación y funcionamiento de la base para ducha (continuación)

Español

- 4** Instale el desagüe de la ducha de acuerdo con las recomendaciones del fabricante (consulte la Figura 2). Ubique e instale la base para ducha por encima del desagüe (consulte la Figura 2). Pase la conexión de drenaje por el centro de la tubería de desagüe y baje la base para ducha cuidadosamente. Presione firmemente hasta que la base esté en posición. Controle el nivel de la base en dos direcciones (consulte la Figura 3).

Figura 2

Instale el desagüe antes de bajar la base. Consulte su modelo si incluye desagüe.

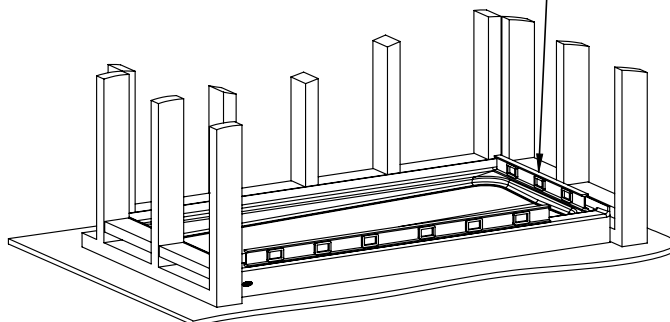


Nota: El compuesto debe hacer contacto con toda la superficie inferior de la base para ducha. La base para ducha no debe estar apoyada por la brida de la base.

Nota: Si el contrapiso no está nivelado, utilice un mortero o compuesto de nivelación. Extienda de manera uniforme sobre toda el área.

Figura 3

En caso de nivelado de adelante hacia atrás, si el nivel se extiende hasta el borde frontal, es posible que necesite una cuña en la parte posterior de la base debido a que el borde frontal es más alto.

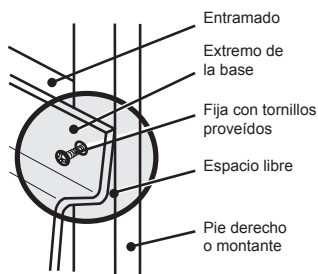


PRECAUCIÓN No levante una esquina de la base para nivelarla. Este causará la pérdida del contacto con el mortero.

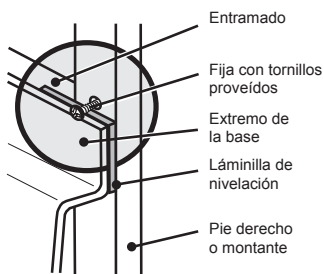
- 5** Pegar un extremo de la base al pared de pie derecho y asegurala con con los tornillos proveídos. Utilizar un mínimo de tres tornillos por sección del frente, ver la Figura 4. Si hay espacio libre entre la brida y el pie derecho, usar una láminilla debe ser usado para prevenir la deformación o agrietamiento del frente.

PRECAUCIÓN Utilizar los tornillos de acero inoxidable incluidos.

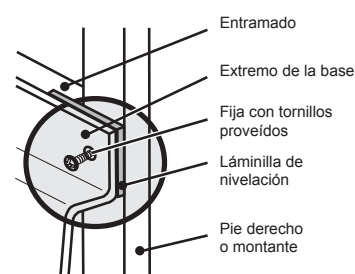
Figura 4



INCORRECTO



INCORRECTO



CORRECTO

IMPORTANTE Si hay un espacio entre el extremo de la base y el pie derecho o entramado, hay que usar láminilla.

- 6** Apretar el desagüe según las instrucciones que viene con el juego de equipo. Al instalar el drenaje, verificar que hay desagüe apropiado.

PRECAUCIÓN Si la base para ducha no tiene el desagüe adecuado, corregirla antes de proceder con la instalación. Es la responsabilidad del Instalador hacer una instalación hermética. La fuga de agua es excluida de la Garantía. Jacuzzi no es responsable de gastos de reinstalación.

Instrucciones de instalación y funcionamiento de la base para ducha (continuación)

7 Sustituir el tamiz, si el equipo tiene. Cubrir la apertura del drenaje con cinta para que no entra el sucio de los materiales de instalación. Colocar un pared de cemento o equivalente encima del borde de la base y asegurarlo al entramado, ver Figura 5

8 Aplicar el azulejo u otro material de acabado, dejando un espacio de 1/8" entre el material y el labio de la brida de la base, ver Figure 7. Usar silicona para llenar el espacio. Dejar un agujero de desagüe de 1/4" mínimo en las esquinas de frente y atrás de la base, ver las Figuras 6 y 7. Aplique 100% silicona debajo del azulejo y sobre el umbral solamente (ver Figura 6). Consulte los códigos locales para el acabado adecuado u otros oficios.

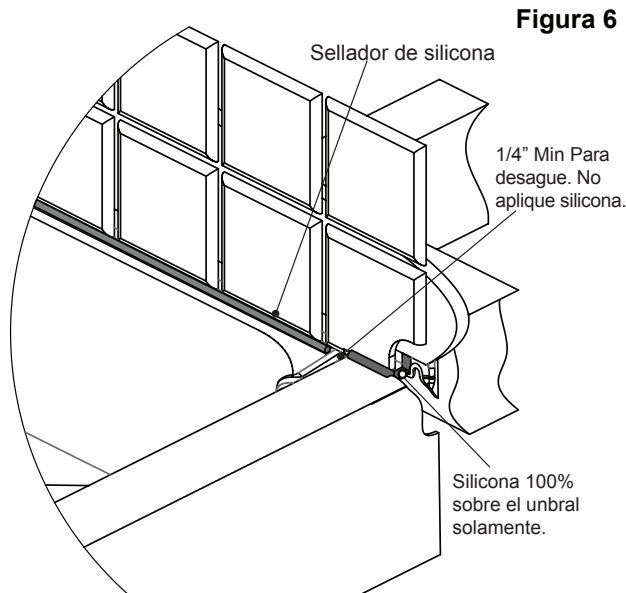
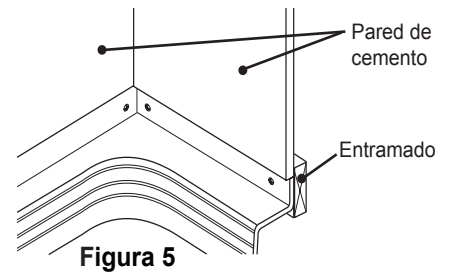


Figura 6

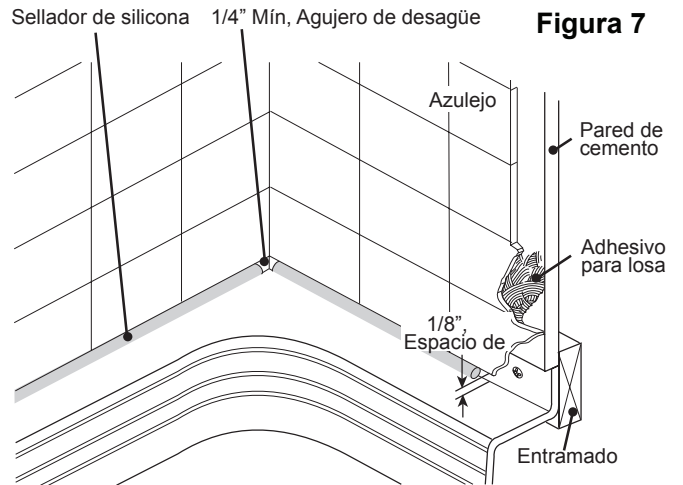


Figura 7

PRECAUCIÓN

Los agujeros de desagüe son necesarios para dirigir cualquiera fuga de agua posible.

9 Si llena el área identificada con "No llenar" en la Figura 8, evitará que la humedad se filtre a la base a través de los orificios de desagüe (consulte la Figura 8). Tal humedad es debido a la salida por la lechada de azulejo. Es necesario dirigir la humedad por los agujeros.

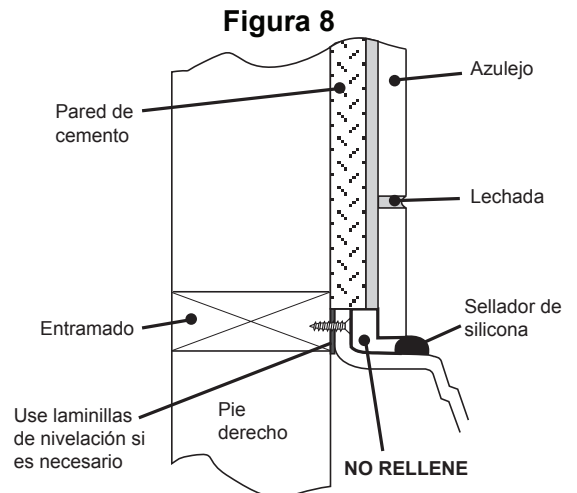


Figura 8

Limpeza Después De La Instalación

- El acabado del acrílico no perderá en buen estado dando el mantenimiento adecuado. Para evitar daños, no usar jabones abrasivos o químicos ásperos. Un detergente líquido suave y el agua caliente limpiarán superficies manchadas.
- Quite el yeso derramado con un cuchillo de madera o plástico. Los instrumentos metálicos dañan agresivamente la superficie. Las manchas dejados por yeso o lechada se quitan con detergente suave y una tela o esponja húmeda aplicado ligeramente.
- Los rasguños menores que no afectan el acabado del color pueden ser removidos ligeramente con un papel de lija de 600 arenas, mojado-seco. Para restaurar el fin lustroso, use un compuesto especial como el Meguiar's No. 10 Mirror Glaze. Si no está disponible, use un compuesto de frotamiento automotor seguido de una aplicación de la cera de pasta automotor.
- Rasguñas mayores y marcas que afectan la superficie acrílica puede requerir un reacabado. Mejor contactar su distriuidor Jacuzzi Luxury Bath para instrucciones.

Use Las Instrucciones De Instalación Porporcionadas Con El Producto

Jacuzzi Luxury Bath ha obtenido las listas de códigos correspondientes (standards), para productos de este tipo, que generalmente están a disposición por todo el país. Antes de instalar el producto, el instalador o dueño de éste tiene la obligación de cumplir con el código específico local. Jacuzzi Luxury Bath no representa, ni garantiza, ni es responsable de hacer cumplir cualquiera de estos códigos de instalación.



Garantía limitada de Jacuzzi Luxury Bath Base de acrílico para ducha

COBERTURA DE LA GARANTÍA

Jacuzzi Luxury Bath (la "Empresa") ofrece la siguiente garantía limitada al comprador original de cualquiera de las bases de acrílico para ducha de Jacuzzi Luxury Bath (la "Unidad") que adquiera el producto para uso personal o unifamiliar (el "Usuario"). La Empresa reparará o reemplazará, a su exclusivo criterio, la unidad o sus opciones y accesorios mencionados a continuación conforme a los siguientes términos y condiciones. Quedan excluidas de la cobertura de la garantía las unidades en uso comercial. LEA LA GARANTÍA LIMITADA COMPLETA YA QUE SE APLICAN EXCLUSIONES Y CONDICIONES.

GARANTÍA LIMITADA POR UN AÑO DE LA BASE DE ACRÍLICO PARA DUCHA

Jacuzzi Luxury Bath garantiza las bases para ducha contra defectos en el material o la fabricación por un (1) año. La cobertura de la garantía comienza a partir de la fecha en que el usuario compró originalmente la unidad.

GARANTÍA LIMITADA DE NOVENTA DÍAS (ÚNICAMENTE PARA LAS PIEZAS) SOBRE OPCIONES Y ACCESORIOS

Jacuzzi Luxury Bath cubre las opciones y accesorios de desagüe fabricados por la Empresa y adquiridos junto con la base para ducha Jacuzzi® contra defectos en el material o la fabricación por un período de noventa (90) días, únicamente para las piezas. La cobertura de la garantía entra en vigencia a partir de la fecha de compra de la opción o accesorio por el usuario.

EXCLUSIÓN DE GARANTÍAS IMPLÍCITAS, LIMITACIONES Y EXCLUSIONES DE GARANTÍA

LAS GARANTÍAS IMPLÍCITAS DE COMERCIABILIDAD Y APTITUD PARA UN FIN ESPECÍFICO QUEDAN EXCLUIDAS EN SU TOTALIDAD O EN LA MÁXIMA MEDIDA PERMITIDA POR LA LEY. Esta garantía limitada reemplaza a cualquier otra garantía, expresa o implícita, de hecho o de derecho, incluidas las garantías implícitas de comerciabilidad y aptitud para un fin específico. Todo servicio de garantía debe estar a cargo de la Empresa o su representante designado, para lo que se deberán usar las piezas autorizadas de Jacuzzi®. No se autoriza a ningún agente, vendedor, distribuidor, empresa de servicios o terceros a cambiar, modificar o extender los términos y condiciones de la presente garantía limitada de ninguna manera. La Empresa no será responsable de ninguna declaración o manifestación realizada en cualquier forma que sobrepase, exceda o resulte contraria a cualquier material publicado autorizado o las especificaciones entregadas por Jacuzzi Luxury Bath. Nuestra garantía limitada no cubre fallas, defectos ni daños causados por el transportista común, el instalador, el usuario u otras personas ni aquellos que sean consecuencia de cualquiera de las siguientes situaciones, entre otras: manipulación imprudente (p. ej. levantamiento de la unidad, abrasión del acabado, etc.); modificación de cualquier tipo por cualquier motivo (incluidas modificaciones para cumplir con los códigos locales); instalación o uso incorrecto (incluida la instalación no conforme a las instrucciones y especificaciones proporcionadas con la unidad); conexiones suministradas por el instalador del equipo; mal uso; operación incorrecta o falta de mantenimiento de rutina adecuado; uso de limpiadores abrasivos o inapropiados; o desastres naturales, como rayos, inundaciones, terremotos, etc.

Además, LA EMPRESA NO SE RESPONSABILIZARÁ DE LOS DAÑOS FORTUITOS O EMERGENTES o pérdidas originadas por cualquier causa (p. ej. daños ocasionados por el agua en alfombras, cielorraso, pérdida de uso, etc.), incluida su propia negligencia; daños en, relativos a o resultantes de: piezas enchapadas cuando se utilizan productos químicos en la unidad; equipos opcionales no fabricados por la Empresa pero suministrados por el vendedor, el instalador o la Empresa; uso previo de la unidad para exhibición operativa; o defectos que deben descubrirse antes de la instalación. Esta exclusión aplica incluso si la Empresa es notificada por adelantado sobre la posibilidad de tales daños.

Esta garantía limitada no incluye: mano de obra, transporte ni otros costos incurridos durante el retiro y/o la reinstalación de la unidad original y/o la instalación de una unidad de reemplazo; ningún costo relacionado con la obtención de accesos para efectuar reparaciones; o pérdida de uso del producto y costo de extracción del producto defectuoso, incluidos los daños ocasionados por el agua, el lucro cesante o la pérdida de ventaja comercial de cualquier tipo bajo cualquier circunstancia. Quedan excluidas de la cobertura de la garantía las unidades en uso comercial. La responsabilidad de la Empresa, si hubiere, conforme a la presente garantía limitada no excederá el monto original pagado por el producto defectuoso. Para reclamos de garantía es necesario presentar el comprobante de compra fechado. Estas renunciaciones de responsabilidad se aplicarán de igual manera a todos los servicios brindados por la Empresa y sus representantes designados.

La cobertura de la garantía se brinda exclusivamente dentro de los Estados Unidos de América y Canadá.

DERECHOS LEGALES: La presente garantía le otorga derechos legales específicos. No existen garantías que se apliquen a los productos Jacuzzi® excepto las estipuladas expresamente en este documento o implícitas en las leyes estatales y federales pertinentes. Asimismo, usted puede gozar de otros derechos que varían según cada estado. Algunos estados no permiten limitaciones en la duración de una garantía implícita, renuncia de responsabilidad de determinadas garantías, ni la exclusión o limitación de daños fortuitos o emergentes, de modo que es posible que algunas de las limitaciones mencionadas no se apliquen en su caso. La Empresa no será responsable de ninguna declaración o manifestación realizada en cualquier forma que sobrepase, exceda o resulte contraria a cualquier material publicado autorizado o las especificaciones entregadas por la Empresa.

DEVOLUCIÓN DE LA TARJETA DE LA GARANTÍA

Para que esta garantía entre en vigencia, el comprador DEBE llenar la Tarjeta de Registro de Garantía con dirección impresa que se adjunta en un plazo de treinta (30) días a partir de la compra, y remitirla por correo a Jacuzzi Luxury Bath.

Base para ducha de Jacuzzi Luxury Bath



Jacuzzi Luxury Bath
14525 Monte Vista Avenue
Chino, California, 91710



RESPONSABILIDAD DE TERCEROS

Es responsabilidad del instalador o del contratista constructor que actúen en nombre del usuario realizar una inspección de la unidad antes de instalarla. Ellos son responsables de asegurarse de que la unidad no tiene defectos ni daños. Se ponen avisos en la unidad y en la caja que la contiene para advertir al instalador sobre esta responsabilidad. En caso de que haya algún problema, no debe instalarse la unidad. La Compañía no se hace responsable de fallas o daños que podrían haberse detectado, reparado o evitado mediante una inspección apropiada y pruebas antes de la instalación.

Cualquier daño que ocurra durante el trayecto es responsabilidad del transportista. El usuario o instalador DEBE abrir la caja y revisar que la unidad no tenga ningún daño, al momento de la entrega. Si se encuentra algún daño, debe informarles de inmediato al vendedor y al transportista por escrito y debe solicitarse una inspección. En caso de que el transportista no responda, debe avisarles al vendedor y al transportista. Los reclamos de flete deben presentarse inmediatamente después.

Es responsabilidad del instalador, contratista constructor o usuario proporcionar acceso para servicio. La Compañía no es responsable por ningún costo incurrido para obtener acceso para reparación. El usuario deberá afrontar con estos gastos y, si es apropiado, deberá recobrar este costo del instalador.

Los daños que ocurran a la unidad durante su instalación son responsabilidad del instalador y/o del contratista constructor y daños que ocurran después de la instalación de la unidad son responsabilidad del usuario.

Fallas en cualquier equipo opcional son responsabilidad única del fabricante del equipo. (Opciones y accesorios fabricadas por la Compañía tienen garantía de noventa (90) días desde la fecha original de su compra para los repuestos únicamente).

El Distribuidor o Vendedor es responsable de conocer los requisitos de los códigos locales y de notificar al contratista instalador y o al usuario de estos requisitos al momento de su compra. La Compañía no es responsable por ningún costo incurrido en la modificación del producto para conseguir la aprobación del código, a fin de obtener la aprobación municipal, estatal o del condado para el código en los E.E.U.U., o códigos municipales o provinciales o Canadá.

SERVICIO DE GARANTÍA

Para beneficio del cliente, la Compañía tiene una lista de proveedores de servicio independientes que pueden realizar las reparaciones requeridas para el servicio de garantía. Dichas empresas no son ni agentes ni representantes de la Compañía y no pueden obligar a la Compañía por palabra o conducta.

La Compañía debe proporcionar el servicio de garantía que se describe arriba, cuando se hayan cumplido las siguientes condiciones: la falla es de una naturaleza o de un tipo que queda cubierto por la garantía; el usuario le ha informado a un Agente autorizado o Representante del Departamento de Garantías cuál es la naturaleza del problema durante el período cubierto por la garantía; el usuario le ha entregado a dicho agente o representante pruebas irrefutables (v.g. pruebas de compra o instalación) de que la falla ocurrió o se descubrió dentro del período de garantía; una persona autorizada de servicio independiente o representante de la Compañía ha tenido la oportunidad de inspeccionar la unidad durante horas hábiles regulares dentro de un lapso razonable después de que el usuario reportó la falla.

A fin de obtener un servicio de garantía, consulte su directorio telefónico para encontrar al Agente de Servicio Autorizado de Jacuzzi Luxury Bath que más cerca le quede. Describa su problema y el Agente de Servicio Autorizado inspeccionará la unidad y le ofrecerá el servicio que requiere la garantía.

En caso de que no pueda conseguir a un Agente de Servicio Autorizado de Jacuzzi Luxury Bath, escriba o llame a:

Jacuzzi Luxury Bath
14525 Monte Vista Avenue
Chino, California, 91710
Call: 800-288-4002

Para obtener un reemplazo según la garantía para componentes instalados de fábrica para opciones abastecidos por la Compañía y accesorios fabricados y abastecidos por la Compañía, llame o escriba al domicilio que abajo se señala. Proporcione una descripción del problema y una prueba de compra. Recibirá instrucciones de cómo obtener su reemplazo y de cómo devolver, a sus expensas, el o los componentes, opciones o accesorios defectuosos.

Todas las partes, equipos y reparaciones asumirán el resto del lapso de garantía de la parte o partes reemplazados.

La obligación de garantía de la Compañía quedarán descargadas con la oferta de reemplazo o reparación. En caso de que el cliente se niegue a aceptar la solución, se da por terminada la obligación de cumplimiento de garantía de la Compañía.

Garantía Limitada de
Noventa Días
Repuestos Únicamente
de Accesorio(s)



**Tarjeta de Registro
para la Garantía**

Para que esta garantía entre en vigor, esta tarjeta debe llenarse y enviarse al domicilio que está impreso al reverso, antes de que hayan pasado (30) treinta días después de la fecha de compra.

Nombre del Jefe de Familia _____

Domicilio _____ Estado _____ Código Postal _____

Ciudad _____

Fecha de compra/ocupación _____

Nombre del modelo _____

Número de serie _____

Nombre del distribuidor/constructor _____

Dirección del distribuidor/constructor _____

- ¿Cómo se enteró de la existencia de este producto de Jacuzzi®. protegi?
 - Anuncio Publicitario Artículo en revista, periódico
 - Visita a Proveedor/distribuidor
 - Sección páginas amarillas
 - Constructor/Pionero/Remodelador Decorador/Arquitecto
 - Visite Revendedor/Ferretería
 - Publicidad de boca... amigo/parente/conocido
 - Otro (por favor describa) _____
- ¿Quién fue la primera persona que le dio información sobre este producto (especificaciones, precios, etc)?
 - Proveedor de productos de baño Constructor
 - Remodelador Contratista de productos de plomería
 - Decorador/Arquitecto Ya estaba instalado
- ¿Cuál fue la principal razón para la compra?
 - El estilo Servicio de garantía Accesorios del producto
 - Marca de Fábrica Precio Hidroterapia
 - Reventa de Casa
 - Otro _____
- ¿Quién tomó la decisión final sobre qué producto comprar?
 - Yo mismo Conyuge Conyuge y yo juntos
 - Otro miembro de la familia Diseñador/Arquitecto
 - Constructor/Plomero/Remodelador Ya estaba instalado
- ¿Quién instaló? Ya instalada/Casa Nueva
 - Contratista/Pionero Durante Renovación
 - Usted/Conyuge Durante Renovación
 - Otro (Especifique) _____
- ¿Cuales actualmente el valor en el mercado de esta propiedad?
 - Aproximadamente \$ _____ años
- ¿Qué edad tiene el jefe de familia? _____ años
 - Elier Lasco Price Pfister
 - Kohler American Standard Sterling
 - Otro (Especifique) _____
- ¿Cuanto tiempo pasó usted buscando antes de comprar su unidad?
 - 1 día 2 meses-6 meses
 - 2-7 días 6 meses-1 año
 - 1 semana-2 semanas 1 años-2 años
 - 2 semanas-4 semanas mas de 2 años
 - 1 mes-2 meses
10. Aproximadamente, ¿cuanto tiempo han vivido en esa casa?
 - 11. Por favor indique, aproximadamente, ¿cuál es el ingreso total al año de su hogar?
 - Hasta \$24,999 De \$50,000 a \$74,999
 - De \$25,000 a \$29,999 De \$75,000 a \$99,999
 - De \$30,000 a \$39,999 De \$100,000 a \$149,999
 - De \$40,000 a \$49,999 \$150,000 y más
12. ¿Fue su proceso de comprar?
 - Muy fácil Fácil Difícil Muy Difícil

Garantía Limitada de
Noventa Días
Repuestos Únicamente
de Accesorio(s)



BASES DE DOUCHE

Français

CONSIGNES D'INSTALLATION ET D'UTILISATION

Jacuzzi Luxury Bath

14525 Monte Vista Avenue
Chino, CA 91710
1-800-288-4002
www.jacuzzi.com

Table des matières

| | |
|--|----|
| Table des matières | 18 |
| Renseignements sur le produit | 18 |
| Consignes d'installation pour base de douche | 19 |
| Nettoyage après installation | 22 |
| Garantie..... | 23 |
| Carte d'enregistrement de garantie | 23 |

Renseignements sur le produit

REMARQUE

Conservez ces consignes pour utilisation ultérieure. Notez sur le formulaire ci-dessous votre modèle et numéro de série pour consultation ultérieure.

Date d'achat _____

Acheté chez _____

Installé par _____

Numéro de série _____

Modèle _____

Installateur : laissez le manuel au propriétaire.

Propriétaire : lisez ce manuel et gardez-le pour consultation future.

Consignes d'installation pour base de douche

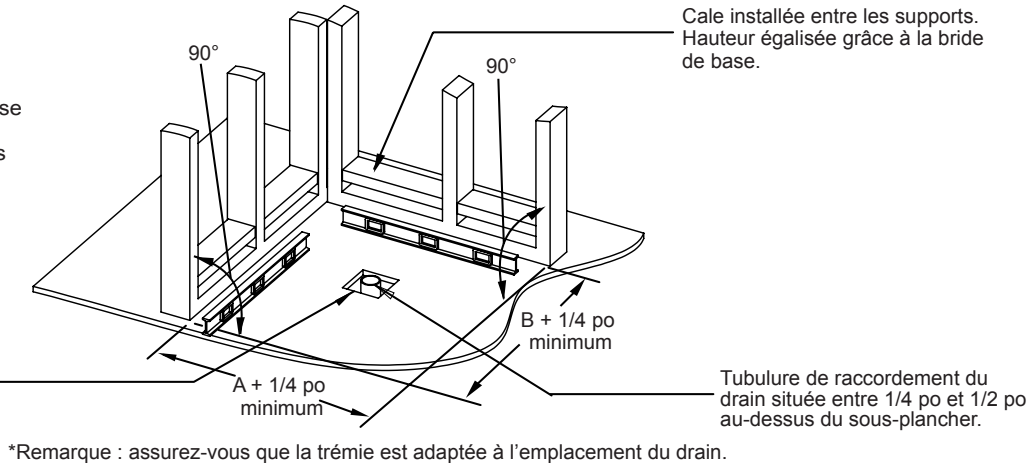
- 1 Retirez la base de douche de son emballage. Ne détruisez pas le carton de livraison tant que vous n'avez pas vérifié le bon état du produit. Si l'inspection révèle des dommages ou des défauts dans le fini de la douche, n'installez pas la base de douche. La responsabilité de Jacuzzi Luxury Bath quant aux dommages causés par l'expédition prend fin au moment de la livraison au transporteur de produits en bon état. Communiquez avec le transporteur pour toute réclamation pour des dommages. Les réclamations relatives à des dommages ou défauts faites après l'installation ne sont pas couvertes par la garantie. Jacuzzi n'est pas responsable des défauts ou dommages qui auraient pu être découverts, réparés ou évités en effectuant cette inspection et procédure d'essai.
- 2 Planifiez l'installation par rapport aux surfaces des murs finis. Prenez en compte les dimensions de la base de douche et de la porte. Installez les pièces de garniture en option après toutes les autres opérations d'installation.
- 3 Prévoyez une ouverture d'au moins 5 po x 5 po dans le sous-plancher. Cette ouverture doit se situer au niveau des conduites centrales (C) du trou d'évacuation de la base. Consultez les caractéristiques techniques du produit, disponibles à l'adresse www.jacuzzi.com/baths/support/specs-and-manuals/. L'ouverture est destinée à accueillir un tuyau d'évacuation de 2 po. Ce dernier doit se situer entre 0,25 po et 0,5 po de hauteur par rapport à la surface du sous-plancher. Référez-vous à la Figure 1. Si le sous-plancher est de niveau égal, il n'y a pas d'autre préparation à faire. Vous pouvez installer la base. Si le sous-plancher n'est pas de niveau égal, nivelez la base de douche en étalant du composé de nivellement, mortier, plâtre ou mousse structurelle à expansion minimale avec une densité d'au moins 5 livres par pied cube (lb/pi^3). Référez-vous à la Figure 2 (voir page 20).

REMARQUE : le composé doit entrer en contact avec toute la surface inférieure des pieds de la base. La base ne doit pas être soutenue par sa bride. Les deux côtés d'un joint ou d'une épissure d'un sous-plancher doivent être au même niveau.

Figure 1

Robinetterie néo-angle
(consultez les caractéristiques techniques du produit à l'adresse www.jacuzzi.com/baths pour vérifier les dimensions requises pour l'alcôve et l'emplacement du drain.)

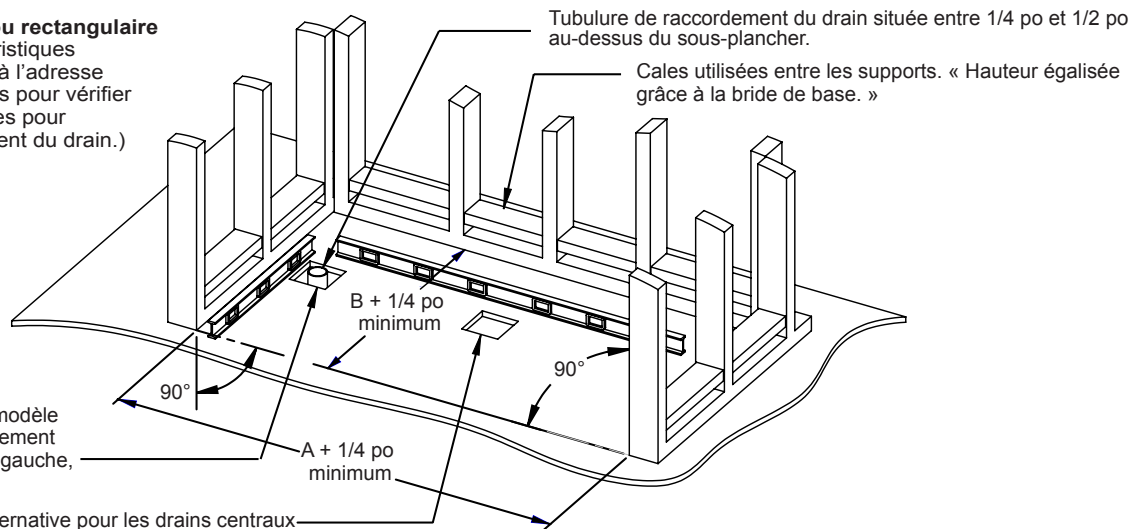
*Trémie de 5 po x 5 po (reportez-vous à votre modèle pour connaître l'emplacement exact).



Robinetterie carrée ou rectangulaire
(consultez les caractéristiques techniques du produit à l'adresse www.jacuzzi.com/baths pour vérifier les dimensions requises pour l'alcôve et l'emplacement du drain.)

*Trémie de 5 po x 5 po (reportez-vous à votre modèle pour connaître l'emplacement exact). (Drain installé à gauche, sur l'image.)

*Trémie alternative pour les drains centraux

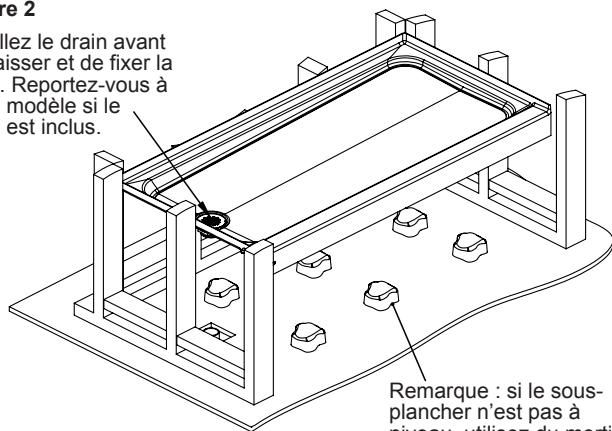


Consignes d'installation pour base de douche (suite)

- 4 Installez le drain de douche conformément aux recommandations du fabricant (voir la figure 2). Placez et installez la base de douche sur le drain (voir la figure 2). En veillant à ce que le raccord du drain passe au-dessus du centre du tuyau d'évacuation, abaissez la base de douche avec précaution. Appuyez fermement jusqu'à ce que la base soit bien en place. Vérifiez le niveau de la base dans deux directions (voir la figure 3).

Figure 2

Installez le drain avant d'abaisser et de fixer la base. Reportez-vous à votre modèle si le drain est inclus.

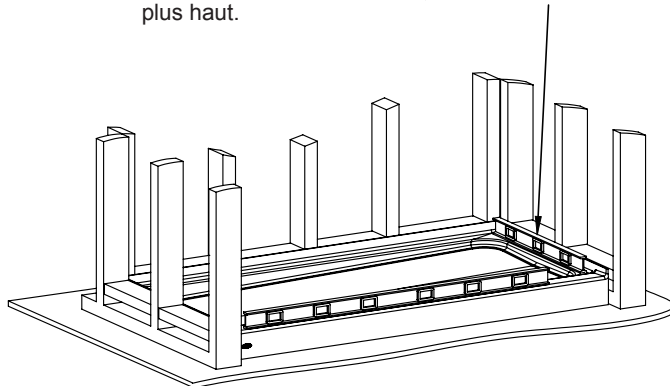


Remarque : le composé doit entrer en contact avec toute la surface inférieure de la base de douche. La base de douche ne doit pas être soutenue par sa bride.

Remarque : si le sous-plancher n'est pas à niveau, utilisez du mortier ou un composé de nivellement. Répartissez-le uniformément sur toute la surface.

Figure 3

Pour un nivellement de l'avant à l'arrière, si le niveau se prolonge jusqu'au rebord avant, une cale peut être utilisée à l'arrière de la base, car le rebord avant est plus haut.

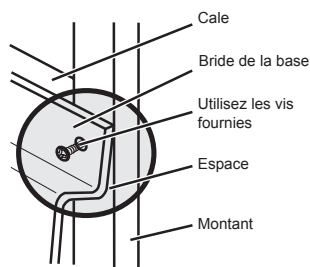


- ⚠ MISE EN GARDE** Ne levez pas un coin pour niveler la base. Le mortier risquerait de ne plus être en contact.

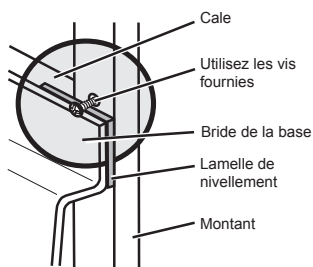
- 5 Fixez la bride de la base de douche au poteau d'ossature murale et bloquez-la à l'aide des vis en acier inoxydable fournies. Utilisez au moins trois vis pour chaque partie de la bride (voir la Figure 4). S'il y a un espace entre la bride de la base et le poteau ou la cale, une cale doit être utilisée pour éviter que la bride ne se déforme ou ne se fissure.

- ⚠ MISE EN GARDE** Utilisez les vis en acier inoxydable fournies.

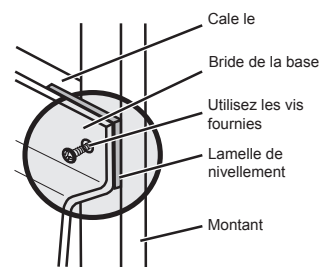
Figure 4



INCORRECT



INCORRECT



CORRECT

- IMPORTANT** S'il y a un espace entre la bride de la base et le poteau ou la cale, des cales doivent être utilisées.

- 6 Serrez l'évacuation conformément aux instructions fournies avec la trousse d'évacuation. Une fois l'évacuation complètement installée, vérifiez que l'eau s'évacue correctement.

- ⚠ MISE EN GARDE** Si la base de douche ne s'évacue pas correctement, rectifiez le problème avant de continuer l'installation. L'installateur est responsable de l'étanchéité de l'installation, car toute fuite de l'évacuation est exclue de la garantie. Jacuzzi n'est pas responsable des frais encourus pour la réinstallation.

Consignes d'installation pour base de douche (suite)

- 7** Remettez en place le tamis si celui-ci est inclus dans votre trousse d'évacuation, puis recouvrez le trou d'évacuation avec du ruban pour que le matériau de finition ne puisse pas y entrer. Placez un panneau de ciment ou équivalent au-dessus de la bride de la base de douche et fixez-le au poteau d'ossature murale (voir la Figure 5).
- 8** Appliquez le carreau, ou tout autre de matériau de finition, en laissant un espace de 0,125 po (voir la Figure 7). entre le matériau de finition et le rebord de la bride de la base de douche. Laissez un trou d'évacuation d'au moins 0,25 po. au niveau des coins avant et arrière de la base de douche (voir les Figures 6 et 7). Ajoutez du silicone 100 % sous le carreau et le panneau d'appui au-dessus du seuil uniquement (voir les Figure 6). Reportez-vous aux codes de construction locaux pour la finition appropriée ou les autres métiers.

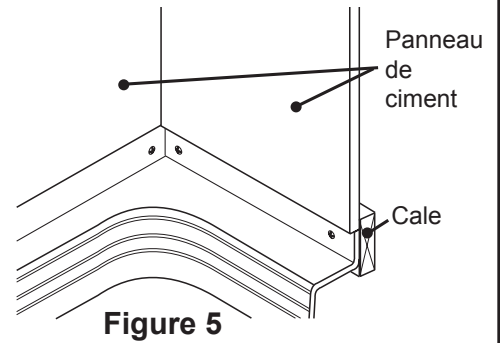


Figure 5

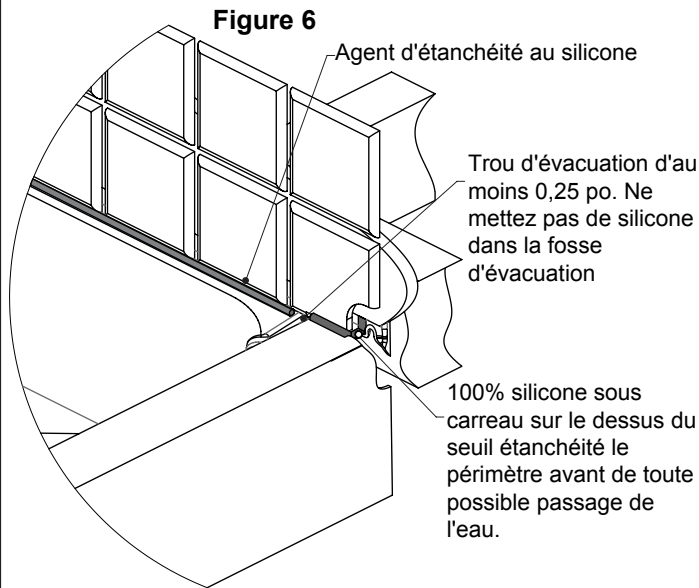


Figure 6

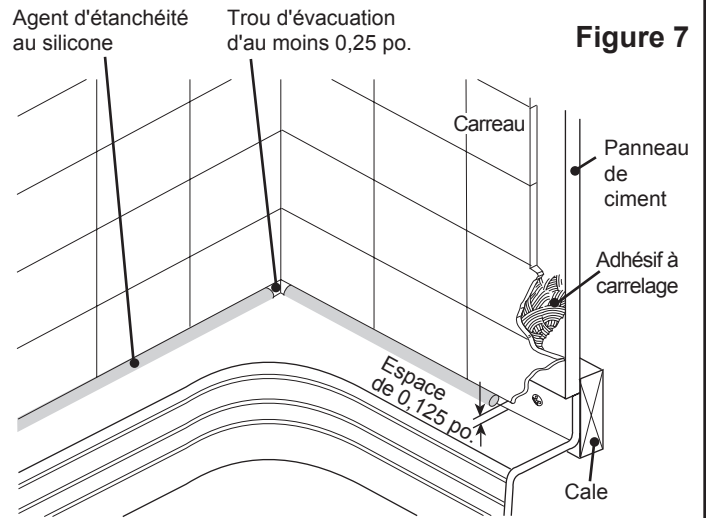


Figure 7

MISE EN GARDE

Les trous d'évacuation sont nécessaires pour évacuer les fuites par vvl'intermédiaire d'un coulis à carreaux non scellé.

- 9** Ne remplissez pas la zone identifiée par la mention « Do Not Fill » (Ne pas remplir) (figure 8). Cela risquerait d'empêcher l'évacuation de l'humidité vers la base, par les chantpleures (figure 8). Cette humidité est due à l'eau fuyant à travers le coulis à carreaux. L'étanchéification du coulis à carreaux permettra d'éviter cette fuite.

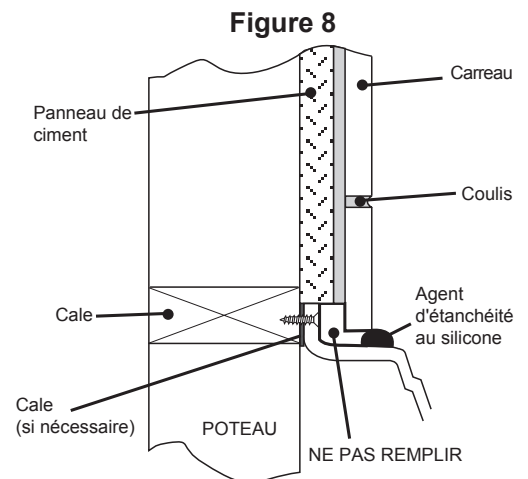


Figure 8

Nettoyage après installation

- La finition acrylique apportera une élégance durable si l'entretien est correctement effectué. Pour ne pas ternir et rayer la finition, n'utilisez jamais de nettoyeurs abrasifs ou de produits chimiques puissants. Un détergent liquide doux et de l'eau chaude suffisent pour nettoyer les surfaces sales.
- Retirez le plâtre renversé au moyen d'une lame en bois ou en plastique. Les outils en métal risquent de rayer la surface. Les taches laissées par le plâtre ou le coulis peuvent être éliminées en les frottant légèrement avec un détergent doux versé sur un chiffon ou une éponge humide.
- Les petites griffes qui ne pénètrent pas le fini en couleur peuvent être éliminées en effectuant un ponçage léger avec un papier de verre mouillé/sec de 600 grains. Pour restaurer le fini brillant, utilisez un composé spécial tel que Meguiar's M10 Mirror Glaze. Si ce produit n'est pas disponible, utilisez une pâte à polir automobile suivie de l'application d'une cire automobile en pâte.
- Les rayures et les stries profondes qui pénètrent la surface acrylique risquent de nécessiter une restauration. Renseignez-vous sur les instructions spéciales auprès de votre revendeur Jacuzzi Luxury Bath.

Les caractéristiques techniques sont sujettes à modification sans préavis

Jacuzzi Luxury Bath a obtenu les classifications de code (normes) applicables habituellement offertes à l'échelle nationale pour les produits de ce type. L'installateur/le propriétaire doivent déterminer la conformité au code local précis avant d'installer le produit. Jacuzzi Luxury Bath n'effectue aucune représentation ou garantie relatives à la conformité au code et elle ne sera pas responsable de cette dernière.

Garantie limitée Jacuzzi Luxury Bath – Base de douche acrylique

COUVERTURE DE LA GARANTIE

Jacuzzi Luxury Bath (« l'Entreprise ») offre la garantie limitée suivante à l'acheteur original d'une base de douche Jacuzzi Luxury Bath en acrylique (« l'unité ») qui a acheté ce produit pour un usage personnel ou unifamilial (« l'utilisateur »). L'Entreprise réparera ou remplacera, à son entière discrétion, l'unité ou les options et accessoires mentionnés ci-dessous conformément aux conditions et modalités suivantes. Les unités réservées à un usage commercial ne sont pas garanties. VEUILLEZ LIRE L'INTÉGRALITÉ DE CETTE GARANTIE LIMITÉE, CAR DES EXCLUSIONS ET CONDITIONS S'APPLIQUENT.

GARANTIE LIMITÉE D'UN AN SUR LES BASES DE DOUCHE EN ACRYLIQUE

Jacuzzi Luxury Bath garantit les bases de douche contre les défauts de matériaux ou de fabrication pendant une période d'un (1) an. La garantie entre en vigueur à la date d'achat de l'unité par l'utilisateur.

GARANTIE LIMITÉE DE QUATRE-VINGT-DIX JOURS (PIÈCES SEULEMENT) SUR LES OPTIONS ET LES ACCESSOIRES

Jacuzzi Luxury Bath garantit les options et accessoires du drain fabriqués par l'Entreprise et achetés avec une base de douche JacuzziMD contre les défauts de matériaux et de fabrication, pour une période de quatre-vingt-dix (90) jours, pour les pièces uniquement. La couverture de garantie prend effet à la date d'achat d'origine de l'option ou de l'accessoire par l'utilisateur.

EXCLUSION DES GARANTIES IMPLICITES, LIMITES DE LA GARANTIE ET EXCLUSIONS

LES GARANTIES IMPLICITES DE VALEUR MARCHANDE ET D'ADAPTATION À UN USAGE PARTICULIER SONT ENTIÈREMENT DÉCLINÉES OU DANS LA MESURE LA PLUS GRANDE PERMISE PAR LA LOI. Cette garantie limitée remplace toutes les autres garanties, expresses ou implicites, de fait ou en droit, y compris les garanties implicites de valeur marchande et d'adaptation à un usage particulier. Tout service de garantie doit être effectué par l'Entreprise ou son représentant désigné en utilisant des pièces JacuzziMD autorisées. Aucun agent, détaillant, distributeur, entreprise de service ou toute autre partie ne sont autorisés à changer, modifier ou prolonger les conditions de cette garantie limitée, de quelque façon que ce soit. L'Entreprise ne sera pas responsable des déclarations ou des représentations, quelle qu'en soit la forme, allant au-delà des informations incluses dans la documentation autorisée ou les spécifications fournies par Jacuzzi Luxury Bath, ou étant plus étendues que ces dernières ou en désaccord avec celles-ci. Notre garantie limitée ne couvre pas les défauts, les dommages ou les pannes causés par le transporteur, l'installateur, l'utilisateur ou d'autres personnes, ou découlant, sans toutefois s'y limiter, de l'un ou l'autre des éléments suivants : mauvaise manipulation (levage inadéquat de l'unité, finition abrasive, etc.); modification de tout type, pour quelque raison (y compris les modifications pour se conformer aux codes locaux); installation et/ou utilisation inadéquates (y compris, sans toutefois s'y limiter, les procédures d'installation et/ou d'utilisation en désaccord avec les instructions et les spécifications fournies avec l'unité); raccords fournis par l'installateur; mauvais usage; utilisation incorrecte; manquement aux maintenances de routine; utilisation de nettoyeurs abrasifs ou inadaptés; ou catastrophes naturelles (foudre, inondation, tremblement de terre, etc.).

En outre, L'ENTREPRISE NE SERA PAS RESPONSABLE DES DOMMAGES CONSÉCUTIFS OU INDIRECTS ou des pertes découlant de toute cause (par ex., dégât des eaux sur la moquette, le plafond, perte de jouissance, etc.), notamment en cas de négligence de sa part, de dommages causés à, concernant ou découlant : de pièces plaquées lorsque des produits chimiques sont utilisés dans l'unité; de l'équipement en option non fabriqué par l'Entreprise, mais fourni par le détaillant, l'installateur ou l'Entreprise; d'un usage antérieur de l'unité à titre d'exposition fonctionnelle; ou de défauts qui auraient dû être découverts avant l'installation. Cette exclusion s'applique, même si l'Entreprise a été informée au préalable de tels risques de dommages.

Cette garantie limitée ne comprend pas : la main d'œuvre, le transport ou autres frais encourus lors du retrait et/ou de la réinstallation de l'unité d'origine et/ou de l'installation d'une unité de remplacement; les frais encourus pour accéder à un service de réparation; ou la perte de jouissance du produit et les frais de retrait d'un produit défectueux, notamment en cas de dégât des eaux, de perte de profit ou d'avantage commercial, de quelque nature, quelles que soient les circonstances. Les unités réservées à un usage commercial ne sont pas garanties. La responsabilité de l'Entreprise en vertu de cette garantie limitée, le cas échéant, ne dépassera pas la somme originale payée pour le produit défectueux. Une preuve d'achat datée de l'unité est requise pour faire valoir une garantie. Ces renoncements sont également applicables à tout service fourni par l'Entreprise et ses représentants désignés.

La garantie n'est valable qu'aux États-Unis d'Amérique et au Canada.

DROITS LÉGAUX : Cette garantie limitée vous confère des droits légaux précis. Aucune garantie ne s'applique aux produits JacuzziMD à l'exception de ce qui est expressément indiqué aux présentes ou impliqué par les lois fédérales et provinciales en vigueur. Vous pouvez aussi avoir d'autres droits qui varient d'une province à l'autre. Certaines provinces n'autorisent pas les limites de durée des garanties implicites, les clauses de non-responsabilité de certaines garanties ou l'exclusion ou la limite des dommages consécutifs; par conséquent, les limites susmentionnées peuvent ne pas s'appliquer à votre cas. L'Entreprise ne sera pas responsable des déclarations ou des représentations, quelle qu'en soit la forme, allant au-delà des informations incluses dans la documentation autorisée ou les spécifications fournies par l'Entreprise, ou étant plus étendues que ces dernières ou en désaccord avec celles-ci.

RETOUR DE LA CARTE DE GARANTIE

Pour que la garantie entre en vigueur, la carte d'enregistrement de garantie préadressée ci-jointe DOIT être remplie par l'acheteur dans un délai de trente (30) jours à compter de l'achat et être envoyée par voie postale à Jacuzzi Luxury Bath.

Jacuzzi Luxury Bath – Base de douche



Jacuzzi Luxury Bath
14525 Monte Vista Avenue
Chino, Californie 91710, États-Unis

RESPONSABILITÉS DES AUTRES

Il incombe à l'installateur ou à l'entrepreneur agissant au nom de l'utilisateur d'inspecter l'unité avant de l'installer. Celui-ci doit s'assurer que l'unité ne présente aucun défaut ou dommage. Des avis sont placés sur et dans l'unité ainsi que sur la boîte d'expédition avisant l'installateur de cette responsabilité. En cas de problème, l'unité ne doit pas être installée. L'Entreprise n'est pas responsable des pannes ou dommages qui auraient pu être découverts, réparés ou évités grâce à une inspection et un essai appropriés avant l'installation.

Le transporteur est responsable des dommages qui surviennent pendant le transport. L'utilisateur ou l'installateur DOIT ouvrir la boîte et vérifier l'état de l'unité au moment de la livraison. Si des dommages sont découverts, ils doivent être immédiatement signalés au vendeur et au transporteur par écrit et une inspection doit être demandée. Si le transporteur ne répond pas, vous devez le signaler au vendeur et au transporteur. Vos réclamations de transport doivent être présentées dans un court délai.

Il incombe à l'installateur, l'entrepreneur ou l'utilisateur de fournir un accès pour le service. L'Entreprise n'est pas responsable des frais encourus pour obtenir l'accès en cas de réparation. L'utilisateur sera responsable de tels frais et, le cas échéant, devra solliciter un recouvrement auprès de l'installateur.

L'installateur et/ou l'entrepreneur sont responsables des dommages survenant pendant l'installation, tandis que l'utilisateur est responsable des dommages survenant par la suite.

La défaillance d'un équipement en option relève de la responsabilité exclusive du fabricant de cet équipement. (Les options et accessoires fabriqués par l'Entreprise sont garantis pendant quatre-vingt-dix (90) jours à compter de la date d'achat originale pour les pièces seulement.)

Il incombe au distributeur ou au dépositaire de connaître les exigences relatives aux codes locaux et de les communiquer à l'entrepreneur qui effectuera l'installation et/ou à l'utilisateur au moment de l'achat. L'Entreprise n'est pas responsable des frais encourus pour modifier un produit pour se conformer à un code, comme les codes de construction de la ville, du comté ou de l'État aux États-Unis ou les codes municipaux ou provinciaux au Canada.

SERVICE DE GARANTIE

Pour la commodité des clients, l'entreprise conserve une liste de réparateurs indépendants qui effectuent les réparations requises en vertu de la garantie. Ces personnes ne sont pas des agents ou des représentants de l'Entreprise et ne peuvent pas lier l'Entreprise par leurs paroles ou leur comportement.

L'Entreprise fournit le service de garantie décrit ci-dessus lorsque les conditions suivantes sont respectées : la panne est de nature ou de type couvert par la garantie; l'utilisateur a informé l'agent de service agréé Jacuzzi Luxury Bath ou un représentant du service de la garantie de la nature du problème pendant la période de garantie; des preuves concluantes (une preuve d'achat ou d'installation par ex.) sont fournies par l'utilisateur, prouvant que la panne s'est produite ou a été découverte pendant la période de garantie; un réparateur indépendant autorisé ou un représentant de l'Entreprise a reçu l'autorisation d'inspecter l'unité pendant les heures normales de travail dans un délai raisonnable après la signalisation du problème par l'utilisateur.

Afin d'obtenir le service de garantie, consultez les pages jaunes pour trouver l'agent de service agréé Jacuzzi Luxury Bath le plus proche. Décrivez le problème et l'agent de service agréé inspectera l'unité et fournira le service de garantie demandé.

Si vous n'arrivez pas à contacter un agent de service agréé Jacuzzi Luxury Bath, appelez le numéro suivant ou écrivez à l'adresse suivante :

Jacuzzi Luxury Bath

14525 Monte Vista Avenue, Chino, Californie 91710, États-Unis

Appelez le : 800-288-4002

Pour obtenir un remplacement de garantie pour les composants installés en usine ou les options et les accessoires fournis par l'Entreprise et fabriqués et fournis par l'Entreprise, appelez le numéro indiqué ci-dessus ou écrivez à l'adresse mentionnée ci-dessus. Fournissez une description du problème et une preuve d'achat. On vous indiquera comment obtenir des pièces de rechange et où retourner, à vos frais, le(s) composant(s), l'option (les options) ou l'accessoire (les accessoires) défectueux.

Toutes les pièces ou l'Équipement de rechange et les réparations seront garantis pendant la période de garantie restante de la(es) pièce(s) remplacée(s).

L'obligation de garantie de l'Entreprise sera acquittée au moment de la remise du remplacement ou de la réparation. Si le client refuse le remplacement ou la réparation, l'obligation de garantie de l'entreprise est alors terminée.

Garantie limitée
de quatre-vingt-dix jours
(pièces seulement)
sur les
accessoires

Garantie limitée
de quatre-vingt-dix jours
(pièces seulement)
sur les
accessoires

Pour que la garantie entre en vigueur, cette carte doit être remplie et retournée à l'adresse imprimée sur l'autre côté dans un délai de trente (30) jours à compter de la date d'achat.



**Carte d'enregistrement
de garantie**

Nom de l'acheteur _____
 Adresse de l'acheteur _____
 Ville _____ Province _____ Code postal _____
 Date d'achat _____
 Nom du modèle _____
 Numéro de série _____
 Nom du dépositaire _____
 Adresse du dépositaire _____

1. Comment avez-vous entendu parler de ce produit Jacuzzi?SM
 Publicité Article dans une revue/un journal
 Visite d'un détaillant/fournisseur de plomberie Pages jaunes
 Constructeur/plombier/rénovateur Décorateur/architecte
 Visite d'un détaillant/magasin de rénovation
 Bouche-à-oreille... Am/parent/connaisance
 Autre (veuillez préciser) _____

2. Qui est la première personne vous ayant donné des renseignements précis au sujet de ce produit (caractéristiques, prix, etc.)?
 Dépositaire/fournisseur de plomberie Constructeur Rénovateur
 Entrepreneur en plomberie Détaillant/magasin de rénovation
 Décorateur/architecte Déjà installé
 Autre (veuillez préciser) _____

3. Quelle était la principale raison de votre achat?
 Style Service de garantie Caractéristiques du produit
 Nom de la marque Prix Hydrothérapie
 Revente de maison
 Autre _____

4. Qui a finalement choisi le produit que vous avez acheté?
 Moi Mon conjoint Moi et mon conjoint ensemble
 Autre membre de la famille Décorateur/architecte
 Constructeur/plombier/rénovateur Déjà installé
 5. Qui l'a installé? Déjà installé/Nouvelle résidence
 Entrepreneur/plombier lors de la rénovation
 Membre conjoint lors d'une rénovation
 Autre _____

6. Quelle est la valeur actuelle sur le marché de cette propriété?
 Veuillez l'évaluer en dollars _____ ans

7. Quel est l'âge du chef du ménage? _____ ans
 8. Quel(s) autre(s) fabricant(s) avez-vous envisagé(s)?
 Elier Lasco Price Pister Aqua Glass
 Kohler American Standard Sterling
 Autre (précisez) _____

9. Combien de temps avez-vous magasiné avant d'acheter cette unité?
 1 jour 2 à 6 mois
 2 à 7 jours 6 mois à 1 an
 1 à 2 semaines 1 à 2 ans
 2 à 4 semaines +2 ans
 1 à 2 mois

10. Depuis combien de temps environ habitez-vous dans cette résidence?
 Jusqu'à 24 999 \$ 50 000 à 74 999 \$
 25 000 à 29 999 \$ 75 000 à 99 999 \$
 30 000 à 39 999 \$ 100 000 à 149 999 \$
 40 000 à 49 999 \$ 150 000 \$ et plus

11. Comment a été votre processus d'achat?
 Très facile Facile Difficile Très difficile